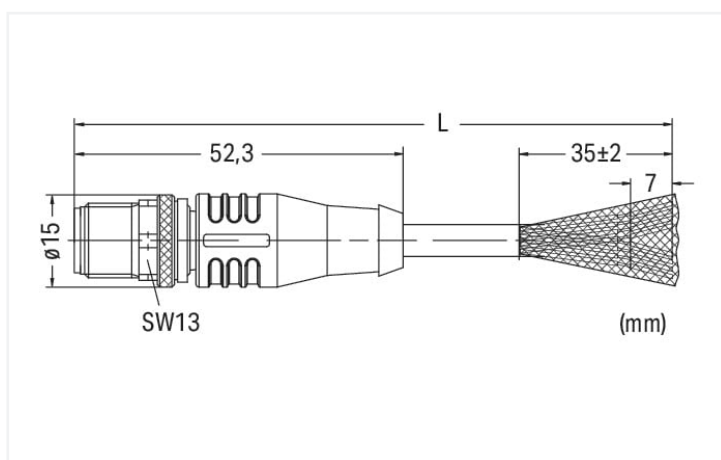
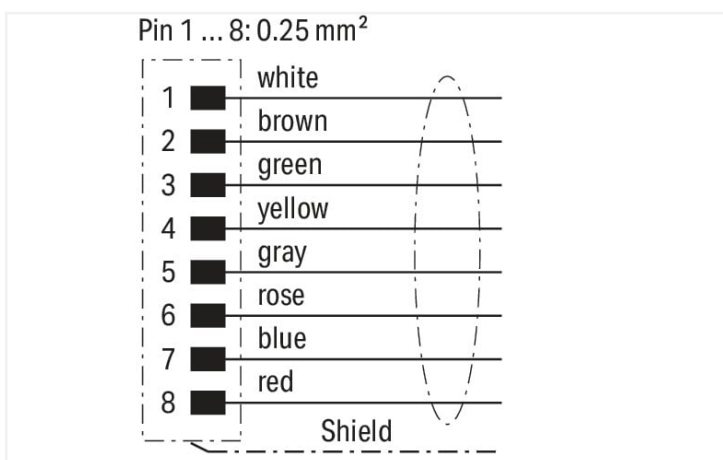


Similar to illustration



Short description:

- PUR, halogen-free
- Suitable for drag chains
- High resistance to microbes, hydrolysis, oil, chemicals and UV radiation
- High chemical resistance
- Cable used: UL listed

Technical data	
General information	
Operating voltage	250 VAC/DC
Operating current	4 A
Rated surge voltage	1.5 kV
Insulation resistance	>10 ⁸ Ω
Contact resistance	10 mΩ
Conductor resistance	≤ 60 Ω/km
Pollution degree	3 per VDE 0110
Protection type	IP67
Ambient (operating) temperature (static)	-50 ... +90 °C
Ambient (operating) temperature (dynamic)	-25 ... +90 °C
Drag chain compatible	
Bending radius	10 x cable diameter (min.)
Bending cycles	2 million
Acceleration (min.)	5 m/s ²
Travel speed (max.)	3.33 m/s
Travel path (horizontal) max.	5 m
Travel path (vertical) max.	2 m
Torsional capacity	180 °/m

Cable	
Cable length	1.5 m
Type code	LiF9YH-11YH or LiF9YC11YFHF
Conductor configuration	Bare copper wire, fine-stranded (32 x 0.1 mm)
Conductor insulation	PP9Y (halogen-free)
Sheath material	Polyurethane (PUR), halogen-free per DIN VDE 0472 Part 815, flame resistant per IEC 332-2, self-extinguishing
Sheathed cable color	black
Sheathed cable diameter	6.1 ... 6.5 mm

Connector	
Connection type	M12 plug - free end
Pole number	8
Cable connection direction to mating direction	0 °
Connector interface coding (cable/adaptor) 1 1	A-coded
Housing material	Polyurethane (PUR)
Contact material	CuSn
Tightening torque	1 Nm

Commercial data	
eCl@ss 10.0	27-06-03-11
eCl@ss 9.0	27-06-03-11
ETIM 8.0	EC001855
ETIM 7.0	EC001855
PU (SPU)	1 pcs
Packaging type	Box
Country of origin	HU
GTIN	4050821346388
Customs tariff number	85444290900

Environmental Product Compliance	
CAS-No.	7439-92-1
REACH Candidate List Substance	Lead
RoHS Compliance Status	Compliant,With Exemption
RoHS Exemption	6(c)
SCIP notification number (Austria)	e752d5dd-4285-47fb-a1c4-3f64daf6081
SCIP notification number (Belgium)	8857393c-8195-4712-b8f0-11914bc5d78c
SCIP notification number (Bulgaria)	d8f61672-8fcd-4cdb-8bc9-8a1a84e0e0d3
SCIP notification number (Czech Republic)	bd76b5cb-3ddc-49f9-b1af-1702ef5dce49
SCIP notification number (Denmark)	1ed53cdf-d071-4f6e-abc3-c2371b67a902
SCIP notification number (Finland)	9c00ac69-5302-40d0-a80b-4278156826e5
SCIP notification number (France)	9603f21f-a2d0-4a36-9fff-3a35f024e14b
SCIP notification number (Germany)	7e091f14-f7d4-4e83-8d0b-08970461e4c1
SCIP notification number (Hungary)	1a4e010d-2705-4078-a139-77fd36bf7daf
SCIP notification number (Italy)	a654f382-6a36-4905-b263-ecf2327697db
SCIP notification number (Netherlands)	e295d943-e874-40fc-9570-46e6af907cc2
SCIP notification number (Poland)	7b8b7391-64e0-44fd-a8da-a61b48314404
SCIP notification number (Romania)	254cc5d6-1722-4757-b3a0-0a7720713f9e
SCIP notification number (Sweden)	ffd190f3-c235-4c2f-a519-e67dbe2b4887

Approvals / Certificates

General approvals



Approval	Standard	Certificate Name
UL Underwriters Laboratories Inc.	UL 2238	E519602

Downloads

Environmental Product Compliance

Compliance Search

Environmental Product
Compliance
756-5311/090-015



Documentation

System Description

IP67 Cables and Plug-
gable Connectors

pdf
157.80 KB



Bid Text

756-5311/090-015

19.02.2019

xml
3.34 KB



756-5311/090-015

20.09.2017

doc
27.00 KB

