



Monitoring relay, can be mounted to Contactor 3RT2, Size S00 basic, analog adjustment Apparent current monitoring 1.6-16 A, 20-400 Hz, 2-phase Supply 24-240 V AC/DC 1 change-over contact Monitoring for Current overshoot and undershoot Phase failure, Cable break with or without fault buffer ON delay 0-60 s Noise pulse suppression 0-30 s Switching hysteresis 6% Screw connection system

product brand name	SIRIUS
product designation	Monitoring relays
design of the product	analogically adjustable, 2-phase current monitoring
product type designation	3RR2
General technical data	
size of contactor can be combined company-specific	S00
operating apparent power rated value	4 VA
insulation voltage for overvoltage category III according to IEC 60664	
• with degree of pollution 3 rated value	690 V
surge voltage resistance rated value	6 kV
consumed current	
• at 24 V	90 mA
• at 240 V	12 mA
protection class IP	
• on the front	IP20
• of the terminal	IP20
shock resistance	15g / 11 ms
mechanical service life (operating cycles) typical	10 000 000
electrical endurance (operating cycles) at AC-15 at 230 V typical	100 000
reference code according to IEC 81346-2	K
relative repeat accuracy	2 %
Substance Prohibitance (Date)	10/01/2009
SVHC substance name	Lead - 7439-92-1 Lead monoxide (lead oxide) - 1317-36-8 2,2',6,6'-tetrabromo-4,4'-isopropylidenediphenol - 79-94-7
Supply voltage	
type of voltage of the supply voltage	AC/DC
supply voltage 1 at AC	
• at 50 Hz	24 ... 240 V
• at 60 Hz	24 ... 240 V
supply voltage 1 at DC	24 ... 240 V
supply voltage frequency 1	50 ... 60 Hz
Measuring circuit	
type of current for monitoring	AC
adjustable current response value current	
• 1	1.6 ... 16 A
• 2	1.6 ... 16 A
adjustable response delay time	
• when starting	0 ... 60 s

<ul style="list-style-type: none"> with lower or upper limit violation 	0 ... 30 s
Precision	
temperature drift per °C	0.1 %/°C
Short-circuit protection	
design of the fuse link for short-circuit protection of the auxiliary switch required	fuse gG: 4 A
Communication/ Protocol	
protocol is supported IO-Link protocol	No
type of voltage supply via input/output link master	No
Auxiliary circuit	
number of CO contacts	
<ul style="list-style-type: none"> for auxiliary contacts 	1
operational current of auxiliary contacts at AC-15	
<ul style="list-style-type: none"> at 24 V at 230 V at 400 V 	3 A 3 A 3 A
operational current of auxiliary contacts at DC-13	
<ul style="list-style-type: none"> at 24 V at 125 V at 250 V 	1 A 0.2 A 0.1 A
contact rating of auxiliary contacts according to UL	B300 / R300
Main circuit	
operating power rated value	2.5 W
ampacity of the semiconductor output in SIO mode	20 mA
operational current at 17 V minimum	5 mA
Electromagnetic compatibility	
EMC emitted interference according to IEC 60947-1	ambience A (industrial sector)
EMC immunity according to IEC 60947-1	ambience A (industrial sector)
Connections/ Terminals	
product component removable terminal for main circuit	No
product component removable terminal for auxiliary and control circuit	Yes
type of electrical connection	
<ul style="list-style-type: none"> for main current circuit for auxiliary and control circuit 	screw-type terminals screw-type terminals
type of connectable conductor cross-sections for main contacts	
<ul style="list-style-type: none"> solid finely stranded with core end processing 	2x (0.5 ... 1.5 mm ²), 2x (0.75 ... 2.5 mm ²), 2x (1 ... 4 mm ²) 2x (0.5 ... 1.5 mm ²), 2x (0.75 ... 2.5 mm ²)
connectable conductor cross-section for main contacts	
<ul style="list-style-type: none"> solid or stranded finely stranded with core end processing 	0.75 ... 4 mm ² 0.5 ... 2.5 mm ²
type of connectable conductor cross-sections	
<ul style="list-style-type: none"> for auxiliary contacts <ul style="list-style-type: none"> — solid — finely stranded with core end processing for AWG cables for auxiliary contacts 	1x (0.5 ... 4 mm ²), 2x (0.5 ... 2.5 mm ²) 1x (0.5 ... 2.5 mm ²), 2x (0.5 ... 1.5 mm ²) 2x (20 ... 14)
AWG number as coded connectable conductor cross section for main contacts	20 ... 12
tightening torque with screw-type terminals	0.8 ... 1.2 N·m
Installation/ mounting/ dimensions	
mounting position	any
fastening method	direct mounting
height	79 mm
width	45 mm
depth	80 mm
required spacing	
<ul style="list-style-type: none"> with side-by-side mounting <ul style="list-style-type: none"> — forwards — backwards — upwards — downwards 	0 mm 0 mm 0 mm 0 mm

— at the side	0 mm
• for grounded parts	
— forwards	0 mm
— backwards	0 mm
— upwards	0 mm
— at the side	6 mm
— downwards	0 mm
• for live parts	
— forwards	0 mm
— backwards	0 mm
— upwards	0 mm
— downwards	0 mm
— at the side	6 mm

Ambient conditions

installation altitude at height above sea level maximum 2 000 m

ambient temperature

- during operation -25 ... +60 °C
- during storage -40 ... +80 °C

Approvals Certificates

General Product Approval



[Confirmation](#)



EMV

Test Certificates

Marine / Shipping



[Special Test Certificate](#)

[Type Test Certificates/Test Report](#)



Marine / Shipping

other

Environment



[Confirmation](#)

[Environmental Confirmations](#)

Further information

Information on the packaging

<https://support.industry.siemens.com/cs/ww/en/view/109813875>

Information- and Downloadcenter (Catalogs, Brochures,...)

<https://www.siemens.com/ic10>

Industry Mall (Online ordering system)

<https://mall.industry.siemens.com/mall/en/en/Catalog/product?mlfb=3RR2141-1AW30>

Cax online generator

<http://support.automation.siemens.com/WW/CAXorder/default.aspx?lang=en&mlfb=3RR2141-1AW30>

Service&Support (Manuals, Certificates, Characteristics, FAQs,...)

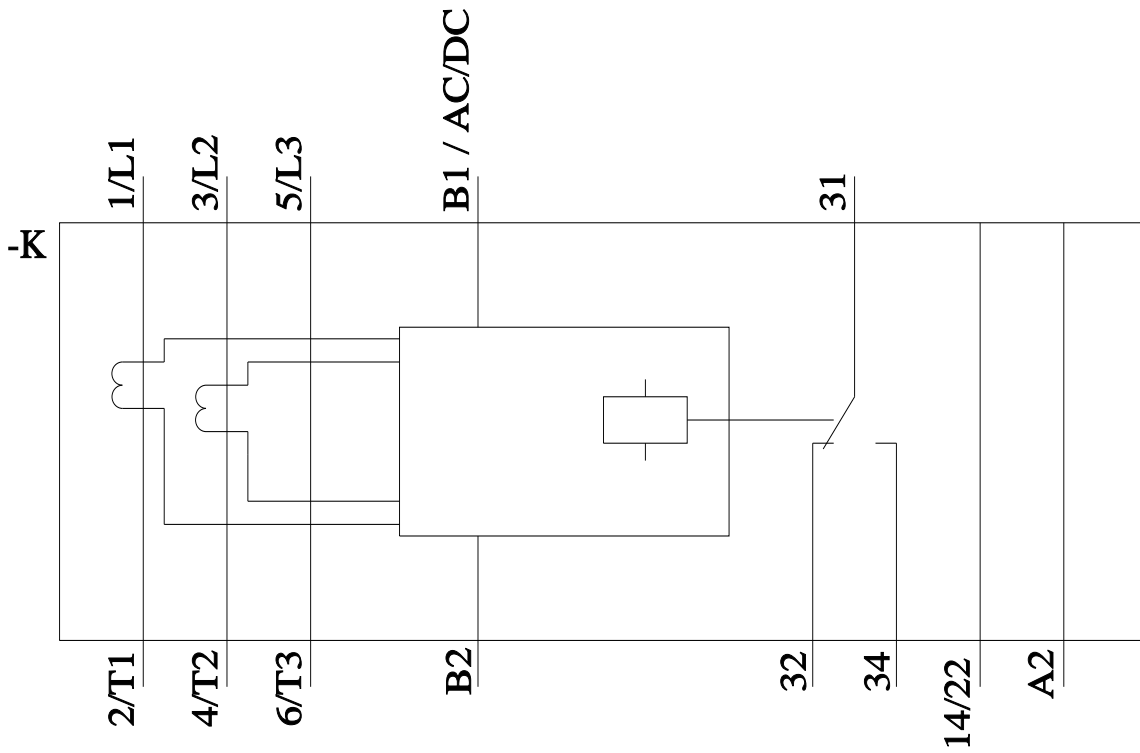
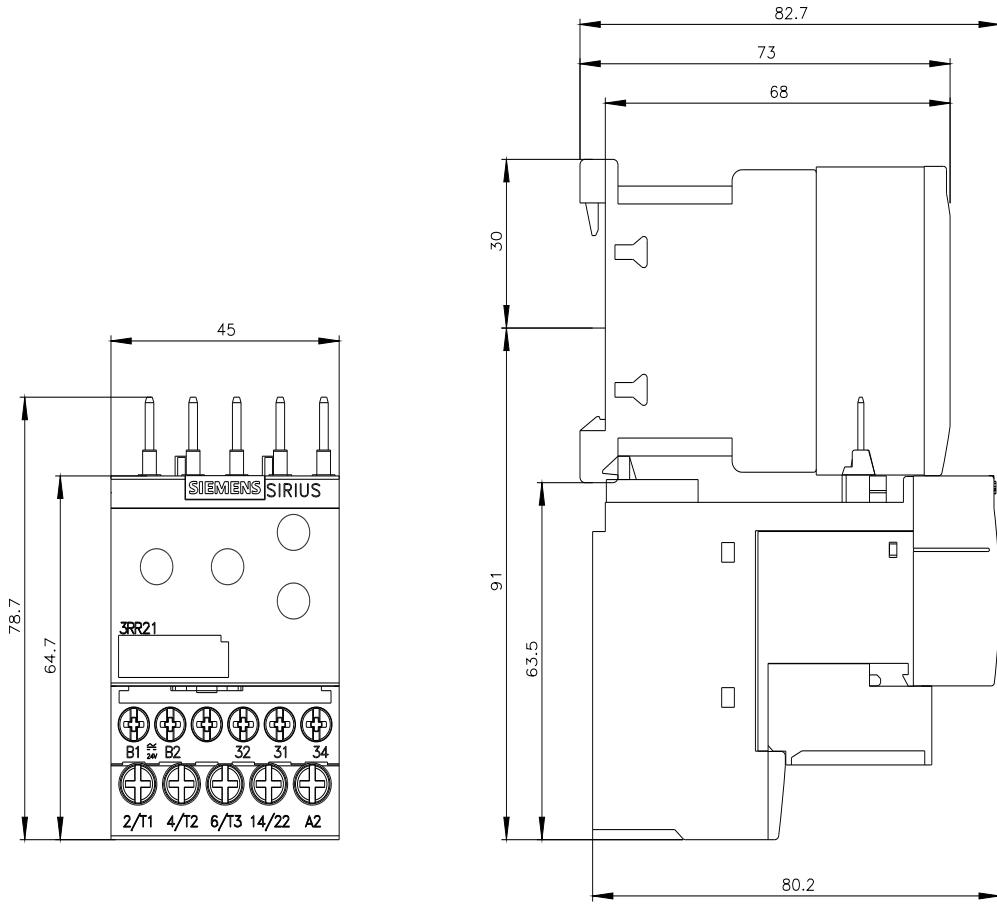
<https://support.industry.siemens.com/cs/ww/en/ps/3RR2141-1AW30>

Image database (product images, 2D dimension drawings, 3D models, device circuit diagrams, EPLAN macros, ...)

http://www.automation.siemens.com/bilddb/cax_de.aspx?mlfb=3RR2141-1AW30&lang=en

Characteristic: Derating

<https://support.industry.siemens.com/cs/ww/en/ps/3RR2141-1AW30/manual>



last modified:

3/11/2024

