



AZ 3350-12ZUEK-U270

- 1 Cable entry M 20 x 1.5
- Actuating head rotated by 270°
- Metal enclosure
- Latching handle
- Long life
- 40,5 mm x 114 mm x 38 mm
- High level of contact reliability with low voltages and currents

Data

Ordering data

Product type description	AZ 3350-12ZUEK-U270
Article number (order number)	101174720
EAN (European Article Number)	4030661304137
eCl@ss number, version 12.0	27-27-26-02
eCl@ss number, version 11.0	27-27-26-02
eCl@ss number, version 9.0	27-27-26-02
ETIM number, version 7.0	EC002592
ETIM number, version 6.0	EC002592
Note (Ordering data)	To order, first choose the desired safety switch and then the door handle system

Approvals - Standards

Certificates	TÜV cULus
--------------	--------------

General data

Standards	BG-GS-ET-15 EN ISO 13849-1 EN ISO 14119 EN IEC 60947-5-1
Coding level according to EN ISO 14119	Low
Working principle	electromechanical
Housing material	Aluminium
Housing coating material	painted
Gross weight	230 g

General data - Features

Number of actuating directions	1
Number of auxiliary contacts	1
Number of safety contacts	2
Number of cable glands	1

Safety classification

Standards	EN ISO 13849-1
Mission time	20 Year(s)

Safety classification - Safety outputs

B _{10D} Normally-closed contact (NC)	2,000,000 Operations
B _{10D} Normally open contact (NO)	1,000,000 Operations
Note (B _{10D} Normally open contact (NO))	at 10% I _e and ohmic load

Mechanical data

Mechanical life, minimum	1,000,000 Operations
Door hinge	Right
Shearing force	15,000 N
Positive break travel	10.7 mm

Positive break force per NC contact, minimum	5 N
Actuating speed, maximum	0.2 m/s
Mounting	Screws

Mechanical data - Connection technique

Cable entry	1x M20
Termination	Screw terminals Screw terminals M20 x 1.5
Cable section, minimum	0.75 mm ²
Cable section, maximum	2.5 mm ²
Note (Cable section)	All indications including the conductor ferrules.
Allowed type of cable	solid single-wire solid multi-wire flexible

Mechanical data - Dimensions

Length of sensor	38 mm
Width of sensor	40.5 mm
Height of sensor	114 mm

Ambient conditions

Degree of protection	IP67
Ambient temperature	-30 ... +90 °C
Storage and transport temperature, minimum	-40 °C
Storage and transport temperature, maximum	+90 °C

Ambient conditions - Insulation values

Rated insulation voltage U_i	250 VAC
Rated impulse withstand voltage U_{imp}	4 kV

Electrical data

Thermal test current	10 A
Required rated short-circuit current	1,000 A
Switching element	NO contact, NC contact
Switching principle	Slow action with overlapping contacts
Switching frequency	1,200 /h
Material of the contacts, electrical	Silver

Electrical data - Safety contacts

Voltage, Utilisation category AC-15	230 VAC
Current, Utilisation category AC-15	4 A
Voltage, Utilisation category DC-13	24 VDC
Current, Utilisation category DC-13	4 A

Electrical data - Auxiliary contacts

Voltage, Utilisation category AC-15	230 VAC
Current, Utilisation category AC-15	4 A
Voltage, Utilisation category DC-13	24 VDC
Current, Utilisation category DC-13	4 A

Scope of delivery

Scope of delivery	Actuator must be ordered separately.
-------------------	--------------------------------------

Accessory

Recommendation (actuator)	AZ 3350-B1 AZ 3350-B5 AZ 3350-B1R AZ 3350-B5R AZ 3350-B6 AZ 3350-B6H
---------------------------	-------------------------------------------------------------------------------------

Recommendation (product combination) AZ 3350-ST530-01
AZ 3350-ST530-03
AZ 3350-ST530-06
AZ 3350-ST530-08

Ordering code

Product type description:
AZ 3350-(1)-(2)-(3)

(1)

03ZK	3 NC contact
12ZUEK	1 NO contact/2 NC contacts

(2)

1637	Gold-plated contacts
-------------	----------------------

(3)

U90	Actuating head can be rotated 90° for door hinge left
U270	Actuating head can be rotated 270° for door hinge right

Pictures

Product picture (catalogue individual photo)



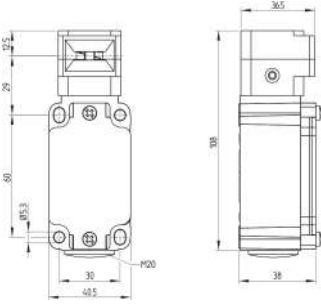
ID: kaz33f09

| 727.5 kB | .jpg | 352.778 x 529.167 mm - 1000 x 1500 px - 72 dpi

| 54.4 kB | .png | 73.731 x 110.772 mm - 209 x 314 px - 72 dpi

| 47.3 kB | .jpg | 82.197 x 123.472 mm - 233 x 350 px - 72 dpi

Dimensional drawing basic component



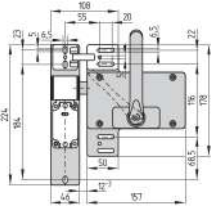
ID: kaz33g02

| 65.8 kB | .cdr |

| 4.5 kB | .png | 74.083 x 68.792 mm - 210 x 195 px - 72 dpi

| 126.7 kB | .jpg | 352.778 x 327.731 mm - 1000 x 929 px - 72 dpi

Dimensional drawing miscellaneous

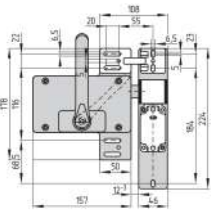


ID: 1az33m03

| 63.5 kB | .cdr |

| 121.3 kB | .jpg | 352.778 x 247.297 mm - 1000 x 701 px - 72 dpi

Dimensional drawing miscellaneous

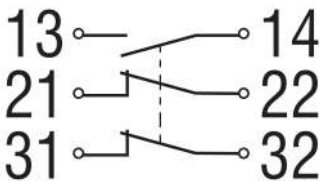


ID: 1az33m04

| 64.4 kB | .cdr |

| 122.0 kB | .jpg | 352.778 x 247.297 mm - 1000 x 701 px - 72 dpi

Diagram

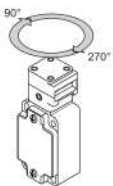


ID: k2o1sk02

| 82.3 kB | .jpg | 352.778 x 193.322 mm - 1000 x 548 px - 72 dpi

| 3.2 kB | .png | 74.083 x 40.569 mm - 210 x 115 px - 72 dpi

Operating principle



ID: 1az33e03

| 64.9 kB | .jpg | 352.778 x 247.297 mm - 1000 x 701 px - 72 dpi

| 7.6 kB | .png | 74.083 x 51.858 mm - 210 x 147 px - 72 dpi

The details and data referred to have been carefully checked. Images may diverge from original. Further technical data can be found in the manual. Technical amendments and errors possible.

Generated on: 08/12/2023, 8:15 am