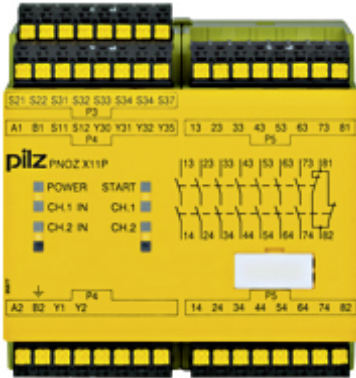


PNOZ X11P C 230-240VAC 7n/o 1n/c 2so

787086



Safety relay (standalone), inputs: 1/2-channel wiring with/without detection of shorts across contacts, outputs: 7 N/O, 1 N/C, 2 SC, automatic/monitored start, UB = 230 - 240 V AC, width: 90 mm, plug-in spring-loaded terminals, monitoring of E-STOP, safety gates.

Technical details

General data

Approval: CCC, CE, UKCA, cULus Listed, EAC (Eurasian), TÜV

Technical data

Electrical data

Supply voltage (V): 230 - 240 V

Type of supply voltage U1: AC

Power consumption AC: 9 VA

Supply voltage 2 (V): 24 - 24 V

Type of supply voltage U2: DC

Inputs

Number of inputs: 2

Semiconductor outputs

Number of semicond. outputs: 2

Tolerance ext. volt. DC S/C: -20 %/+20 %

Utilisation cat. to EN 60947-1: DC-12

Relay outputs

Utilisation cat. AC/DC1 stand.: EN 60947-4-1

Voltage AC1 safety cont.: 240 V

Max. current AC1 safety cont.: 8 A

Voltage DC1 safety cont.: 24 V

Max. current DC1 safety cont.:	8 A
Utilisation cat. AC15/DC13sta.:	EN 60947-5-1
Voltage AC15 safety cont.:	230 V
Max. current AC15 safety cont.:	5 A
Voltage DC13 safety cont.:	24 V
Safety contacts: AC at UL:	240 VAC G. P.
Safety contacts: pilot duty:	B300, R300
Relay contact material:	AgSnO2
Addit. contact details relay:	+ 0.2 µm Au
Environmental data	
Climatic suitability to ...:	EN 60068-2-78
Ambient temperature:	-10 - 55 °C
Humidity rating:	93 % r. h. at 40 °C
Condensation permitted?:	Not permitted
EMC to standard ...:	EN 60947-5-1, EN 61000-6-2, EN 61326-3-1
Vibration to standard ...:	EN 60068-2-6
Clearance & creepage dist. to:	EN 60947-1
Overvoltage category:	III / II
Pollution degree clear.&creep.:	2
Mechanical data	
Mounting position:	any
Housing material front plate:	ABS UL 94 V0
Connection terminal:	Spring-loaded terminal
Terminal style:	plug-in
Height dimension:	101 mm
Width dimension:	90 mm
Depth dimension:	121 mm
Net weight:	640 g
Gross weight:	650 g

Environment	
REACH compliance:	contains min. 1 SVHC-substance
WEEE classification (08/2018):	5 devices (feed size < 50cm)
Commercial data	
Harmonized System Code:	85364900
UNSPSC 25:	39122331
EAN-Code:	4046548008647
ECLASS version:	ECLASS-13
ECLASS Reference Feature:	27371819
ETIM Version:	ETIM-9.0
ETIM Reference Group:	EG000019
ETIM Reference Feature:	EC001449
Volume:	1.083 dm ³

Optional accessories

374291

PNOZ X Set spring loaded terminals P3+P4



374292

PNOZ X Set spring loaded terminals P5+P5

