

CD-HF 40X80 - Cable duct

3240350

<https://www.phoenixcontact.com/in/products/3240350>

Please be informed that the data shown in this PDF document is generated from our online catalog. Please find the complete data in the user documentation. Our general terms of use for downloads are valid.



Cable duct for installation and mounting in control cabinets, light gray, halogen-free, comprising upper part and mounting base, width: 40 mm, height: 80 mm, length: 2000 mm

Your advantages

- Predetermined breaking point enables tool-free, burr-free removal of bars
- Thanks to its leverage and special cutting geometry, the PPS CD cable duct cutter enables easy, burr-free cutting with minimum effort
- Easy, burr-free cutting with minimum effort using the CUTFOX-CD cable duct cutter
- The wide, diagonal heads of the cable duct bars make it easy to fit the cover and hold it securely in place
- Installed conductors are securely held in place by means of wire retaining clips that can be snapped onto bars on the side
- Plastic body-bound rivets enable easy fixing of cable ducts using the rivet setting tool

Commercial data

Item number	3240350
Packing unit	10 pc
Minimum order quantity	10 pc
Sales key	BE7
Product key	BE7441
Catalog page	Page 579 (C-3-2019)
GTIN	4046356508353
Weight per piece (including packing)	901 g
Weight per piece (excluding packing)	809 g
Customs tariff number	39259020
Country of origin	DE

CD-HF 40X80 - Cable duct

3240350

<https://www.phoenixcontact.com/in/products/3240350>



Technical data

Product properties

Product type	Wiring duct
--------------	-------------

Data management status

Article revision	03
------------------	----

Dimensions

Dimensional drawing	
Width	40 mm
Height	80 mm
Length	2000 mm

Material specifications

Color	light gray (RAL 7035)
Material	PC/ABS
Flammability rating according to UL 94	V0
Components	halogen-free

Cable/line

Halogen-free	yes
--------------	-----

Environmental and real-life conditions

Ambient conditions

Ambient temperature (operation)	-25 °C ... 90 °C
---------------------------------	------------------

CD-HF 40X80 - Cable duct

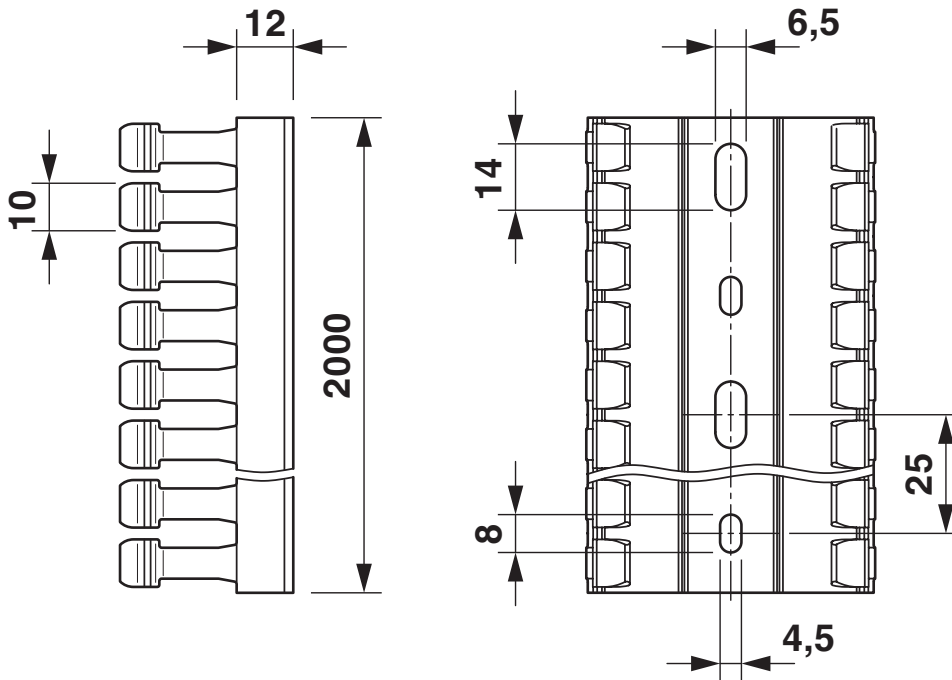
3240350

<https://www.phoenixcontact.com/in/products/3240350>



Drawings

Dimensional drawing



Base perforation according to DIN EN 50085

CD-HF 40X80 - Cable duct



3240350

<https://www.phoenixcontact.com/in/products/3240350>

Approvals

To download certificates, visit the product detail page: <https://www.phoenixcontact.com/in/products/3240350>



VDE Zeichengenehmigung

Approval ID: 40058453



cULus Recognized

Approval ID: E328576



cCSAus

Approval ID: 80202282

DNV

Approval ID: TAE00004VN

CD-HF 40X80 - Cable duct

3240350

<https://www.phoenixcontact.com/in/products/3240350>



Classifications

ECLASS

ECLASS-11.0	27400703
ECLASS-12.0	27400703
ECLASS-13.0	27400703

ETIM

ETIM 9.0	EC000012
----------	----------

UNSPSC

UNSPSC 21.0	39131700
-------------	----------

CD-HF 40X80 - Cable duct

3240350

<https://www.phoenixcontact.com/in/products/3240350>



Environmental product compliance

EU RoHS

Fulfills EU RoHS substance requirements	Yes, No exemptions
---	--------------------

China RoHS

Environment friendly use period (EFUP)	EFUP-E
	No hazardous substances above the limits

EU REACH SVHC

REACH candidate substance (CAS No.)	No substance above 0.1 wt%
-------------------------------------	----------------------------

Phoenix Contact 2024 © - all rights reserved
<https://www.phoenixcontact.com>

PHOENIX CONTACT (I) Pvt. Ltd.
A-58/2, Okhla Industrial Area, Phase - II, New Delhi-110 020

+91.1275.71420
info@phoenixcontact.co.in