

# AI 70 -20 YE - Ferrule

3201848

<https://www.phoenixcontact.com/in/products/3201848>



Please be informed that the data shown in this PDF document is generated from our online catalog. Please find the complete data in the user documentation. Our general terms of use for downloads are valid.

Ferrule, sleeve length: 20 mm, color: yellow



## Your advantages

- The ferrules with plastic sleeve are made from soft tin-plated electrolytic copper
- The insulation reliability of close connections is increased and the splicing of wires is prevented
- The AI 0,25.. ferrules can also be used to process 0.14 mm<sup>2</sup> conductors

## Commercial data

Item number	3201848
Packing unit	25 pc
Minimum order quantity	25 pc
Sales key	BH3
Product key	BH3411
Catalog page	Page 481 (C-3-2019)
GTIN	4017918156923
Weight per piece (including packing)	4.588 g
Weight per piece (excluding packing)	4.37 g
Customs tariff number	85369010
Country of origin	DE

# AI 70 -20 YE - Ferrule

3201848

<https://www.phoenixcontact.com/in/products/3201848>



## Technical data

### Notes

General	Ferrules are not included in DIN 46228-4: 1990-09
---------	---

### Product properties

Product type	Cable end sleeve
--------------	------------------

### Data management status

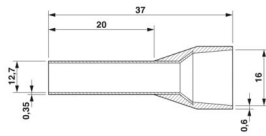
Article revision	03
------------------	----

### Connection data

#### Conductor connection

Conductor cross section flexible max.	70 mm <sup>2</sup>
Conductor cross section AWG max.	2
Stripping length	25 mm

### Dimensions

Dimensional drawing	
Sleeve length	20 mm
Maximum stripping length	25 mm
Ferrule diameter	12.7 mm
Sleeve wall thickness	0.35 mm
Insulating collar thickness	0.6 mm
Inner dimensions of the insulating collar	16 mm

### Material specifications

Color	yellow
Material	CU-DHP
Flammability rating according to UL 94	HB
Coating	tin-plated (galvanic)
Components	free from silicone and halogen

### Mechanical properties

#### Technical data

Sleeve length	20 mm
---------------	-------

### Environmental and real-life conditions

#### Ambient conditions

# AI 70 -20 YE - Ferrule

3201848

<https://www.phoenixcontact.com/in/products/3201848>



Permanent temperature	105 °C (-40 °C no load / 0 °C dynamic load)
Short-term temperature	120 °C

# AI 70 -20 YE - Ferrule

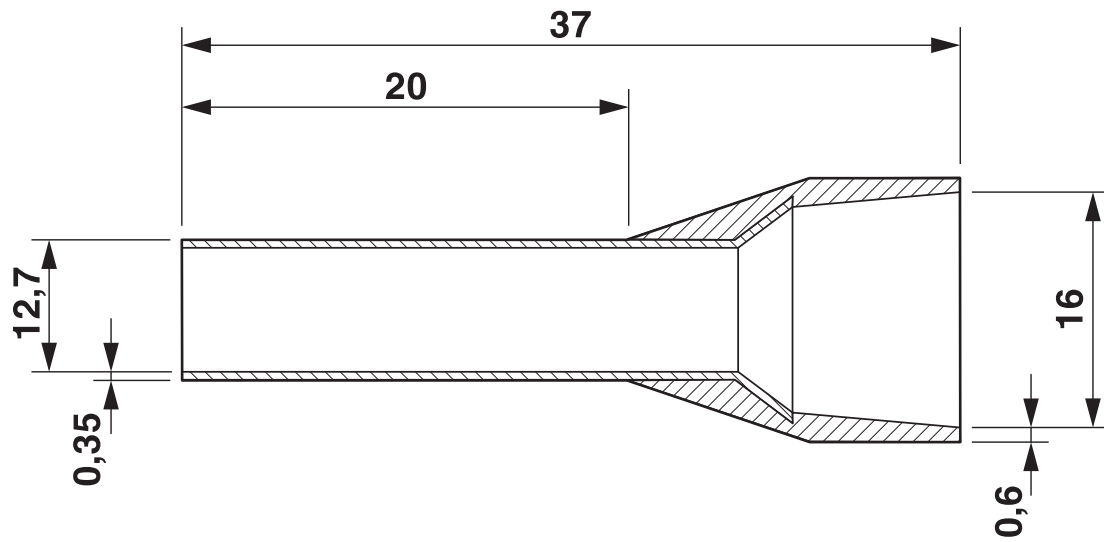
3201848

<https://www.phoenixcontact.com/in/products/3201848>



## Drawings

Dimensional drawing



# AI 70 -20 YE - Ferrule

3201848

<https://www.phoenixcontact.com/in/products/3201848>



## Classifications

### ECLASS

ECLASS-11.0	27400201
ECLASS-13.0	27400201
ECLASS-12.0	27400201

### ETIM

ETIM 9.0	EC000005
----------	----------

### UNSPSC

UNSPSC 21.0	27121700
-------------	----------

# AI 70 -20 YE - Ferrule

3201848

<https://www.phoenixcontact.com/in/products/3201848>



## Environmental product compliance

### EU RoHS

Fulfills EU RoHS substance requirements	Yes, No exemptions
---	--------------------

### China RoHS

Environment friendly use period (EFUP)	EFUP-E
	No hazardous substances above the limits

### EU REACH SVHC

REACH candidate substance (CAS No.)	No substance above 0.1 wt%
-------------------------------------	----------------------------

# AI 70 -20 YE - Ferrule

3201848

<https://www.phoenixcontact.com/in/products/3201848>



## Accessories

### CRIMPFOX-C120 - Crimping pliers

1212318

<https://www.phoenixcontact.com/in/products/1212318>



Basic pliers, for accommodating dies for a wide range of type of contacts up to 120 mm<sup>2</sup>

---

### CRIMPFOX-C120 AI 70/M-DIE - Crimp insert

1212335

<https://www.phoenixcontact.com/in/products/1212335>



Die (upper part), for CRIMPFOX-C120, for ferrules (DIN 46228) 70 mm<sup>2</sup>, trapeze crimp

# AI 70 -20 YE - Ferrule

3201848

<https://www.phoenixcontact.com/in/products/3201848>



## CRIMPFOX-C120 AI 70/F-DIE - Crimp insert

1212338

<https://www.phoenixcontact.com/in/products/1212338>



Die (lower part), for CRIMPFOX-C120, for ferrules (DIN 46228) 70 mm<sup>2</sup>, trapeze crimp

---

Phoenix Contact 2024 © - all rights reserved

<https://www.phoenixcontact.com>

PHOENIX CONTACT (I) Pvt. Ltd.

A-58/2, Okhla Industrial Area, Phase - II, New Delhi-110 020

+91.1275.71420

[info@phoenixcontact.co.in](mailto:info@phoenixcontact.co.in)