

# AI-TWIN 2X 6 -14 YE - Ferrule

3201013

<https://www.phoenixcontact.com/in/products/3201013>

Please be informed that the data shown in this PDF document is generated from our online catalog. Please find the complete data in the user documentation. Our general terms of use for downloads are valid.

Ferrule, sleeve length: 14 mm, color: yellow



## Your advantages

- These special ferrules allow chain bridges to be set up with ease
- The TWIN ferrules provide a practical way of crimping two conductors in one ferrule
- Different versions of the individual TWIN ferrules can be selected for specific applications

## Commercial data

Item number	3201013
Packing unit	100 pc
Minimum order quantity	100 pc
Sales key	BH3
Product key	BH3413
Catalog page	Page 486 (C-3-2019)
GTIN	4017918094560
Weight per piece (including packing)	0.716 g
Weight per piece (excluding packing)	0.676 g
Customs tariff number	85369010
Country of origin	DE

# AI-TWIN 2X 6 -14 YE - Ferrule

3201013

<https://www.phoenixcontact.com/in/products/3201013>

## Technical data

### Product properties

Product type	Cable end sleeve
Conductor category	stranded conductors, class 2, 5, 6 / B, C, K, M

### Data management status

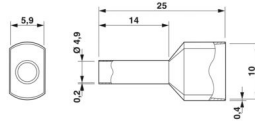
Article revision	04
------------------	----

### Connection data

#### Conductor connection

Conductor cross section flexible max.	6 mm <sup>2</sup>
Conductor cross section AWG max.	10
Stripping length	19 mm

### Dimensions

Dimensional drawing	
Sleeve length	14 mm
Maximum stripping length	19 mm
Ferrule diameter	4.9 mm
Sleeve wall thickness	0.2 mm
Insulating collar thickness	0.4 mm
Inner dimensions of the insulating collar	5.9 mm

### Material specifications

Color	yellow
Material	CU-DHP
Flammability rating according to UL 94	HB
Coating	tin-plated (galvanic)
Components	free from silicone and halogen

### Mechanical properties

#### Technical data

Sleeve length	14 mm
---------------	-------

### Environmental and real-life conditions

#### Ambient conditions

Permanent temperature	105 °C (-40 °C no load / 0 °C dynamic load)
Short-term temperature	120 °C

# AI-TWIN 2X 6 -14 YE - Ferrule

3201013

<https://www.phoenixcontact.com/in/products/3201013>



## Standards and regulations

Design according to standard

DIN 46228-4, UL 486F-F

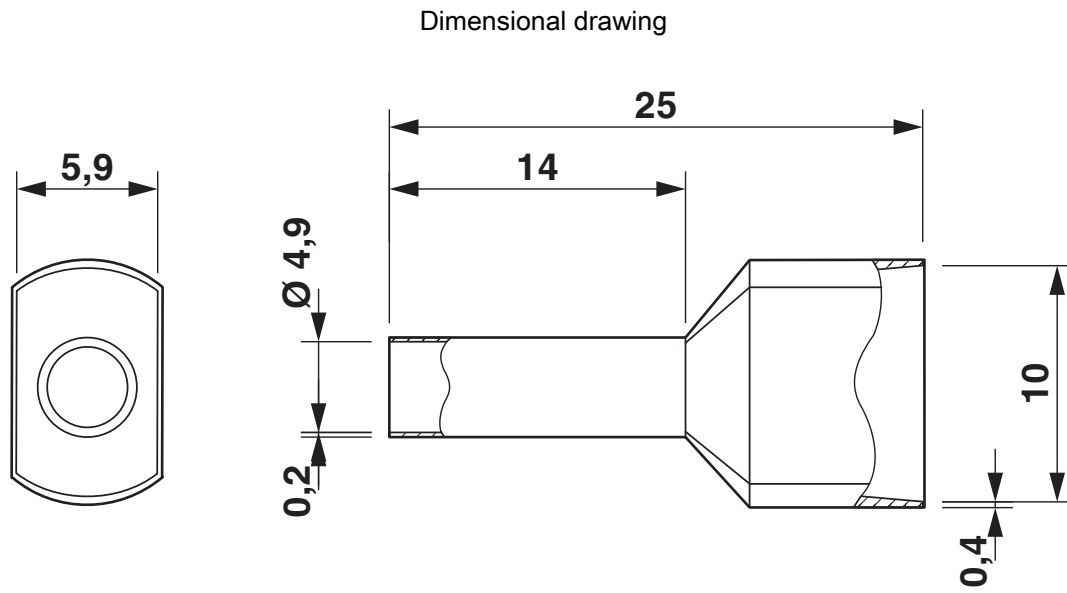
# AI-TWIN 2X 6 -14 YE - Ferrule

3201013

<https://www.phoenixcontact.com/in/products/3201013>



## Drawings



# AI-TWIN 2X 6 -14 YE - Ferrule



3201013

<https://www.phoenixcontact.com/in/products/3201013>

## Classifications

### ECLASS

ECLASS-11.0	27400201
ECLASS-13.0	27400201
ECLASS-12.0	27400201

### ETIM

ETIM 9.0	EC000005
----------	----------

### UNSPSC

UNSPSC 21.0	27121700
-------------	----------

# AI-TWIN 2X 6 -14 YE - Ferrule



3201013

<https://www.phoenixcontact.com/in/products/3201013>

## Environmental product compliance

### EU RoHS

Fulfills EU RoHS substance requirements	Yes, No exemptions
---	--------------------

### China RoHS

Environment friendly use period (EFUP)	EFUP-E
	No hazardous substances above the limits

### EU REACH SVHC

REACH candidate substance (CAS No.)	No substance above 0.1 wt%
-------------------------------------	----------------------------

# AI-TWIN 2X 6 -14 YE - Ferrule

3201013

<https://www.phoenixcontact.com/in/products/3201013>



## Accessories

### CRIMPFOX 16R TWIN - Crimping pliers

1212845

<https://www.phoenixcontact.com/in/products/1212845>



Crimping pliers, for TWIN ferrules according to UL 486F, three marked die stations, unlockable pressure lock, lateral entry

---

### CRIMPFOX DUO 16S - Crimping pliers

1202877

<https://www.phoenixcontact.com/in/products/1202877>



Crimping pliers, contact type: insulated and uninsulated ferrules, standards/regulations: DIN 46228-1, DIN 46228-4, UL 486F, Form A, E, F, cross-section, minimum: 0.14 mm<sup>2</sup>, cross-section, maximum: 16 mm<sup>2</sup>, for TWIN ferrules up to 2 mm<sup>2</sup> x 6 mm<sup>2</sup>, automatic cross-section adjustment, rotating dies, lateral and front entry, crimping: square

---

Phoenix Contact 2024 © - all rights reserved

<https://www.phoenixcontact.com>

PHOENIX CONTACT (I) Pvt. Ltd.

A-58/2, Okhla Industrial Area, Phase - II, New Delhi-110 020

+91.1275.71420

[info@phoenixcontact.co.in](mailto:info@phoenixcontact.co.in)