

AI 6 -18 YE - Ferrule

3200603

<https://www.phoenixcontact.com/in/products/3200603>



Please be informed that the data shown in this PDF document is generated from our online catalog. Please find the complete data in the user documentation. Our general terms of use for downloads are valid.

Ferrule, sleeve length: 18 mm, color: yellow



Your advantages

- The AI 0,25.. ferrules can also be used to process 0.14 mm² conductors
- The insulation reliability of close connections is increased and the splicing of wires is prevented
- The ferrules with plastic sleeve are made from soft tin-plated electrolytic copper

Commercial data

Item number	3200603
Packing unit	100 pc
Minimum order quantity	100 pc
Sales key	BH3
Product key	BH3411
Catalog page	Page 481 (C-3-2019)
GTIN	4017918094218
Weight per piece (including packing)	0.529 g
Weight per piece (excluding packing)	0.52 g
Customs tariff number	85369010
Country of origin	DE

AI 6 -18 YE - Ferrule

3200603

<https://www.phoenixcontact.com/in/products/3200603>



Technical data

Product properties

Product type	Cable end sleeve
Conductor category	stranded conductors, class 2, 5, 6 / B, C, K, M

Data management status

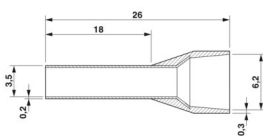
Article revision	06
------------------	----

Connection data

Conductor connection

Conductor cross section flexible max.	6 mm ²
Conductor cross section AWG max.	10
Stripping length	21 mm

Dimensions

Dimensional drawing	
Sleeve length	18 mm
Maximum stripping length	21 mm
Ferrule diameter	3.5 mm
Sleeve wall thickness	0.2 mm
Insulating collar thickness	0.3 mm
Inner dimensions of the insulating collar	6.2 mm

Material specifications

Color	yellow (RAL 1018)
Material	CU-DHP
Flammability rating according to UL 94	HB
Coating	tin-plated (galvanic)
Components	free from silicone and halogen

Mechanical properties

Technical data

Sleeve length	18 mm
---------------	-------

Environmental and real-life conditions

Ambient conditions

Permanent temperature	105 °C (-40 °C no load / 0 °C dynamic load)
Short-term temperature	120 °C

AI 6 -18 YE - Ferrule

3200603

<https://www.phoenixcontact.com/in/products/3200603>



Standards and regulations

Design according to standard

DIN 46228-4, UL 486F-E

AI 6 -18 YE - Ferrule

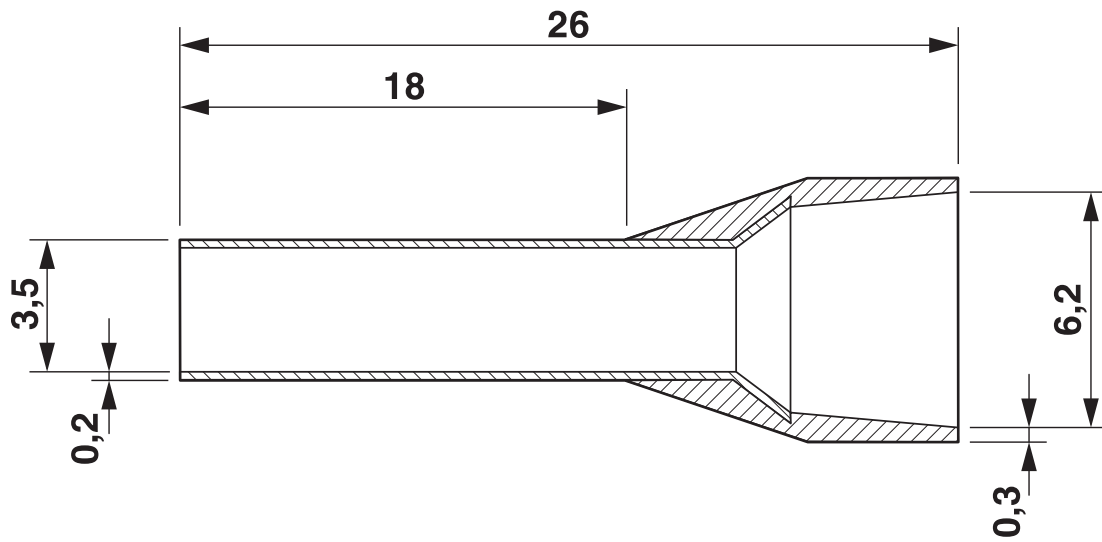
3200603

<https://www.phoenixcontact.com/in/products/3200603>



Drawings

Dimensional drawing



AI 6 -18 YE - Ferrule

3200603

<https://www.phoenixcontact.com/in/products/3200603>



Approvals

To download certificates, visit the product detail page: <https://www.phoenixcontact.com/in/products/3200603>



cULus Listed

Approval ID: E488001

AI 6 -18 YE - Ferrule



3200603

<https://www.phoenixcontact.com/in/products/3200603>

Classifications

ECLASS

ECLASS-11.0	27400201
ECLASS-13.0	27400201
ECLASS-12.0	27400201

ETIM

ETIM 9.0	EC000005
----------	----------

UNSPSC

UNSPSC 21.0	27121700
-------------	----------

AI 6 -18 YE - Ferrule

3200603

<https://www.phoenixcontact.com/in/products/3200603>



Environmental product compliance

EU RoHS

Fulfills EU RoHS substance requirements	Yes, No exemptions
---	--------------------

China RoHS

Environment friendly use period (EFUP)	EFUP-E
	No hazardous substances above the limits

EU REACH SVHC

REACH candidate substance (CAS No.)	No substance above 0.1 wt%
-------------------------------------	----------------------------

Phoenix Contact 2024 © - all rights reserved
<https://www.phoenixcontact.com>

PHOENIX CONTACT (I) Pvt. Ltd.
A-58/2, Okhla Industrial Area, Phase - II, New Delhi-110 020

+91.1275.71420
info@phoenixcontact.co.in