

# AI 25 -16 YE - Ferrule

3200577

<https://www.phoenixcontact.com/in/products/3200577>



Please be informed that the data shown in this PDF document is generated from our online catalog. Please find the complete data in the user documentation. Our general terms of use for downloads are valid.

Ferrule, sleeve length: 16 mm, color: yellow



## Your advantages

- The insulation reliability of close connections is increased and the splicing of wires is prevented
- The ferrules with plastic sleeve are made from soft tin-plated electrolytic copper
- The AI 0,25.. ferrules can also be used to process 0.14 mm<sup>2</sup> conductors

## Commercial data

Item number	3200577
Packing unit	50 pc
Minimum order quantity	50 pc
Sales key	BH3
Product key	BH3411
Catalog page	Page 481 (C-3-2019)
GTIN	4017918094188
Weight per piece (including packing)	1.208 g
Weight per piece (excluding packing)	1.208 g
Customs tariff number	85369010
Country of origin	DE

# AI 25 -16 YE - Ferrule

3200577

<https://www.phoenixcontact.com/in/products/3200577>

## Technical data

### Product properties

Product type	Cable end sleeve
Set comprises	1202580 CRIMPSET 25
Conductor category	stranded conductors, class 2, 5, 6 / B, C, K, M

### Data management status

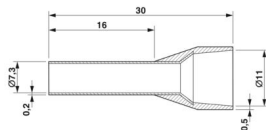
Article revision	05
------------------	----

### Connection data

#### Conductor connection

Conductor cross section flexible max.	25 mm <sup>2</sup>
Conductor cross section AWG max.	4
Stripping length	20 mm

### Dimensions

Dimensional drawing	
Sleeve length	16 mm
Maximum stripping length	20 mm
Ferrule diameter	7.3 mm
Sleeve wall thickness	0.2 mm
Insulating collar thickness	0.5 mm
Inner dimensions of the insulating collar	11 mm

### Material specifications

Color	yellow
Material	CU-DHP
Flammability rating according to UL 94	HB
Coating	tin-plated (galvanic)
Components	free from silicone and halogen

### Mechanical properties

#### Technical data

Sleeve length	16 mm
---------------	-------

### Environmental and real-life conditions

#### Ambient conditions

Permanent temperature	105 °C (-40 °C no load / 0 °C dynamic load)
-----------------------	---

# AI 25 -16 YE - Ferrule

3200577

<https://www.phoenixcontact.com/in/products/3200577>



Short-term temperature	120 °C
------------------------	--------

## Standards and regulations

Design according to standard	DIN 46228-4, UL 486F-E
------------------------------	------------------------

# AI 25 -16 YE - Ferrule

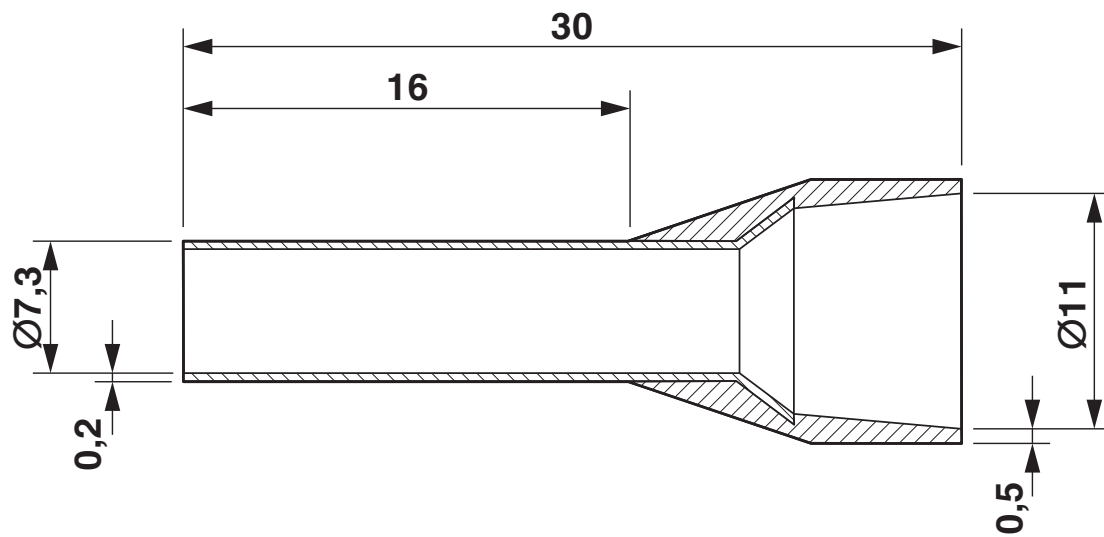
3200577

<https://www.phoenixcontact.com/in/products/3200577>



## Drawings

Dimensional drawing



# AI 25 -16 YE - Ferrule



3200577

<https://www.phoenixcontact.com/in/products/3200577>

## Approvals

To download certificates, visit the product detail page: <https://www.phoenixcontact.com/in/products/3200577>



**UL Listed**

Approval ID: E488001



**cUL Listed**

Approval ID: E488001



**cULus Listed**

Approval ID: E488001

**cULus Listed**

# AI 25 -16 YE - Ferrule



3200577

<https://www.phoenixcontact.com/in/products/3200577>

## Classifications

### ECLASS

ECLASS-11.0	27400201
ECLASS-12.0	27400201
ECLASS-13.0	27400201

### ETIM

ETIM 9.0	EC000005
----------	----------

### UNSPSC

UNSPSC 21.0	27121700
-------------	----------

# AI 25 -16 YE - Ferrule

3200577

<https://www.phoenixcontact.com/in/products/3200577>



## Environmental product compliance

### EU RoHS

Fulfills EU RoHS substance requirements	Yes, No exemptions
---	--------------------

### China RoHS

Environment friendly use period (EFUP)	EFUP-E
	No hazardous substances above the limits

### EU REACH SVHC

REACH candidate substance (CAS No.)	No substance above 0.1 wt%
-------------------------------------	----------------------------

# AI 25 -16 YE - Ferrule

3200577

<https://www.phoenixcontact.com/in/products/3200577>



## Accessories

### CRIMPFOX 25R - Crimping pliers

1212039

<https://www.phoenixcontact.com/in/products/1212039>



Crimping pliers, for ferrules without insulating collar according to DIN 46228 Part 1 and ferrules with insulating collar according to DIN 46228 Part 4, 10 mm<sup>2</sup> ... 25 mm<sup>2</sup>, lateral entry, WM crimp

---

Phoenix Contact 2024 © - all rights reserved  
<https://www.phoenixcontact.com>

PHOENIX CONTACT (I) Pvt. Ltd.  
A-58/2, Okhla Industrial Area, Phase - II, New Delhi-110 020

+91.1275.71420  
[info@phoenixcontact.co.in](mailto:info@phoenixcontact.co.in)