

STG-MTN 0,5-1,0 - Crimp contact



3190438

<https://www.phoenixcontact.com/in/products/3190438>

Please be informed that the data shown in this PDF document is generated from our online catalog. Please find the complete data in the user documentation. Our general terms of use for downloads are valid.



Module socket contact, inserted in the PCC or HCC plug housing after crimping the conductor, for 0.5 mm² ... 1.0 mm² conductors

Commercial data

Item number	3190438
Packing unit	100 pc
Minimum order quantity	100 pc
Sales key	ACE
Product key	AACCEG
Catalog page	Page 294 (C-1-2019)
GTIN	4017918093341
Weight per piece (including packing)	0.422 g
Weight per piece (excluding packing)	0.405 g
Customs tariff number	85366990
Country of origin	PL

STG-MTN 0,5-1,0 - Crimp contact

3190438

<https://www.phoenixcontact.com/in/products/3190438>



Technical data

Product properties

Product type	Connector
Product family	MSTBC-MT
Pitch	0 mm

Data management status

Article revision	05
------------------	----

Dimensions

Dimensional drawing	
Pitch	0 mm

Material specifications

Contact surface	Tin Sn
Contact surface material	Tin
Metal surface contact area (top layer)	Tin Sn)

STG-MTN 0,5-1,0 - Crimp contact

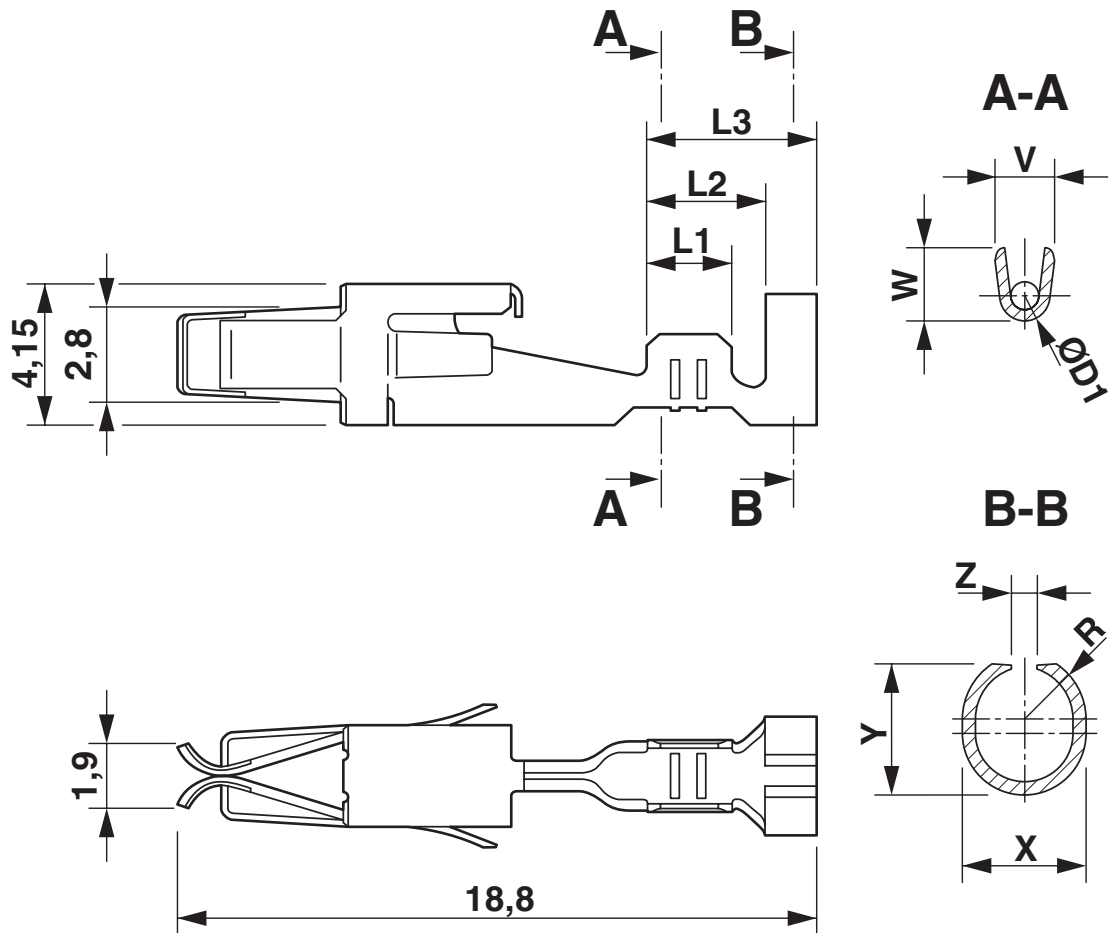
3190438

<https://www.phoenixcontact.com/in/products/3190438>



Drawings

Dimensional drawing



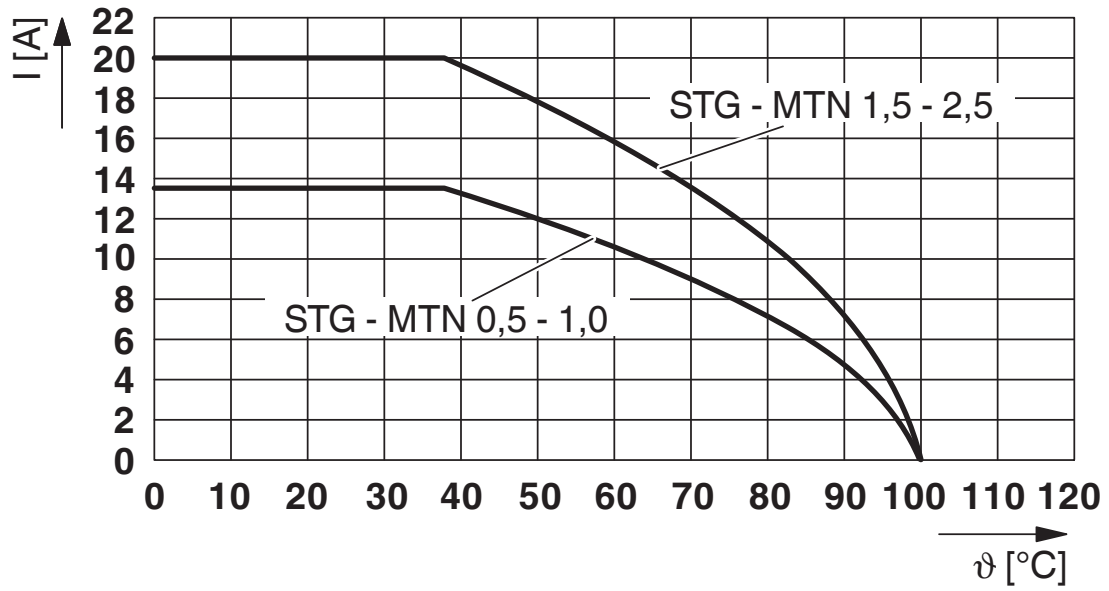
STG-MTN 0,5-1,0 - Crimp contact



3190438

<https://www.phoenixcontact.com/in/products/3190438>

Diagram



STG-MTN 0,5-1,0 - Crimp contact



3190438

<https://www.phoenixcontact.com/in/products/3190438>

Approvals

🔗 To download certificates, visit the product detail page: <https://www.phoenixcontact.com/in/products/3190438>



EAC

Approval ID: RU C-DE.BL08.B.00511

STG-MTN 0,5-1,0 - Crimp contact



3190438

<https://www.phoenixcontact.com/in/products/3190438>

Classifications

ECLASS

ECLASS-11.0	27469090
ECLASS-12.0	27469090
ECLASS-13.0	27469090

ETIM

ETIM 9.0	EC002943
----------	----------

UNSPSC

UNSPSC 21.0	39121400
-------------	----------

STG-MTN 0,5-1,0 - Crimp contact



3190438

<https://www.phoenixcontact.com/in/products/3190438>

Environmental product compliance

EU RoHS

Fulfills EU RoHS substance requirements	Yes, No exemptions
---	--------------------

China RoHS

Environment friendly use period (EFUP)	EFUP-E
	No hazardous substances above the limits

EU REACH SVHC

REACH candidate substance (CAS No.)	No substance above 0.1 wt%
-------------------------------------	----------------------------

STG-MTN 0,5-1,0 - Crimp contact

3190438

<https://www.phoenixcontact.com/in/products/3190438>

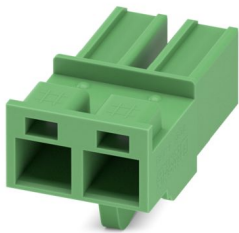


Accessories

PCC 4/ 2-ST-7,62 - PCB connector

1840191

<https://www.phoenixcontact.com/in/products/1840191>



PCB connector, nominal cross section: 4 mm², color: green, nominal current: 20 A, rated voltage (III/2): 1000 V, contact connection type: Socket, number of potentials: 2, number of rows: 1, number of positions: 2, number of connections: 2, product range: PCC 4/..-ST, pitch: 7.62 mm, connection method: Crimp connection, conductor/PCB connection direction: 0 °, locking clip: - Locking clip, plug-in system: COMBICON PC 4, locking: without, mounting: without, type of packaging: packed in cardboard, Corresponding female crimp contacts with current [A] and conductor cross section range [mm²] data: 13,5A/STG-MTN 0,5-1,0 (3190438); 13,5A/STG-MTN 0,5-1,0 BA (3190629); 20A/STG-MTN 1,5-2,5 (3190506); 20A/STG-MTN 1,5-2,5 BA (3190632). BA = Taped contacts

CRIMPFOX MT 2,5 - Crimping pliers

1204038

<https://www.phoenixcontact.com/in/products/1204038>



Crimping pliers, for crimping conductors to the module female contacts STG-MTN, crimp range: 0.5-2.5 mm², AWG: 20-14

STG-MTN 0,5-1,0 - Crimp contact

3190438

<https://www.phoenixcontact.com/in/products/3190438>



STG-EW - Contact removal tool

3190441

<https://www.phoenixcontact.com/in/products/3190441>



Contact removal tool

Phoenix Contact 2024 © - all rights reserved

<https://www.phoenixcontact.com>

PHOENIX CONTACT (I) Pvt. Ltd.

A-58/2, Okhla Industrial Area, Phase - II, New Delhi-110 020

+91.1275.71420

info@phoenixcontact.co.in