

# APH-ME - Cover profile carrier



3034374

<https://www.phoenixcontact.com/in/products/3034374>

Please be informed that the data shown in this PDF document is generated from our online catalog. Please find the complete data in the user documentation. Our general terms of use for downloads are valid.

Cover profile carrier, for mounting on NS 35/7,5 DIN rail, for fixing the AP-ME cover profile, can be sealed as an option



## Your advantages

- It offers parking options for FBS ...-8 plug-in bridges and can be sealed as an option
- The APH-ME end bracket is used in conjunction with the AP-ME cover

## Commercial data

Item number	3034374
Packing unit	10 pc
Minimum order quantity	10 pc
Sales key	BE6
Product key	BE61ZX
Catalog page	Page 629 (C-1-2019)
GTIN	4046356316767
Weight per piece (including packing)	28.17 g
Weight per piece (excluding packing)	27.28 g
Customs tariff number	39269097
Country of origin	PL

# APH-ME - Cover profile carrier

3034374

<https://www.phoenixcontact.com/in/products/3034374>

## Technical data

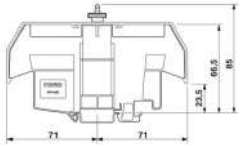
### Product properties

Product type	Cover profile carrier
--------------	-----------------------

### Data management status

Article revision	01
------------------	----

### Dimensions

Dimensional drawing	
Width	8.2 mm
Height	138 mm
Depth	91.8 mm
Depth on NS 35/7,5	92.5 mm
Length	138 mm

### Material specifications

Color	gray
Material	PA
Flammability rating according to UL 94	V2
Static insulating material application in cold	-60 °C
Temperature index of insulation material (DIN EN 60216-1 (VDE 0304-21))	130 °C
Relative insulation material temperature index (Elec., UL 746 B)	130 °C
Fire protection for rail vehicles (DIN EN 45545-2) R22	HL 1 - HL 3
Fire protection for rail vehicles (DIN EN 45545-2) R23	HL 1 - HL 3
Fire protection for rail vehicles (DIN EN 45545-2) R24	HL 1 - HL 3
Fire protection for rail vehicles (DIN EN 45545-2) R26	HL 1 - HL 3
Calorimetric heat release NFPA 130 (ASTM E 1354)	28 MJ/kg
Surface flammability NFPA 130 (ASTM E 162)	passed
Specific optical density of smoke NFPA 130 (ASTM E 662)	passed
Smoke gas toxicity NFPA 130 (SMP 800C)	passed

### Environmental and real-life conditions

#### Ambient conditions

Ambient temperature (operation)	-60 °C ... 105 °C (max. short-term operating temperature RTI Elec.)
Ambient temperature (storage/transport)	-25 °C ... 60 °C (for a short time, not exceeding 24 h, -60 °C to +70 °C)
Ambient temperature (assembly)	-5 °C ... 70 °C

# APH-ME - Cover profile carrier



3034374

<https://www.phoenixcontact.com/in/products/3034374>

Ambient temperature (actuation)	-5 °C ... 70 °C
Permissible humidity (storage/transport)	30 % ... 70 %

## Mounting

Mounting type	NS 35/7,5
	NS 35/15

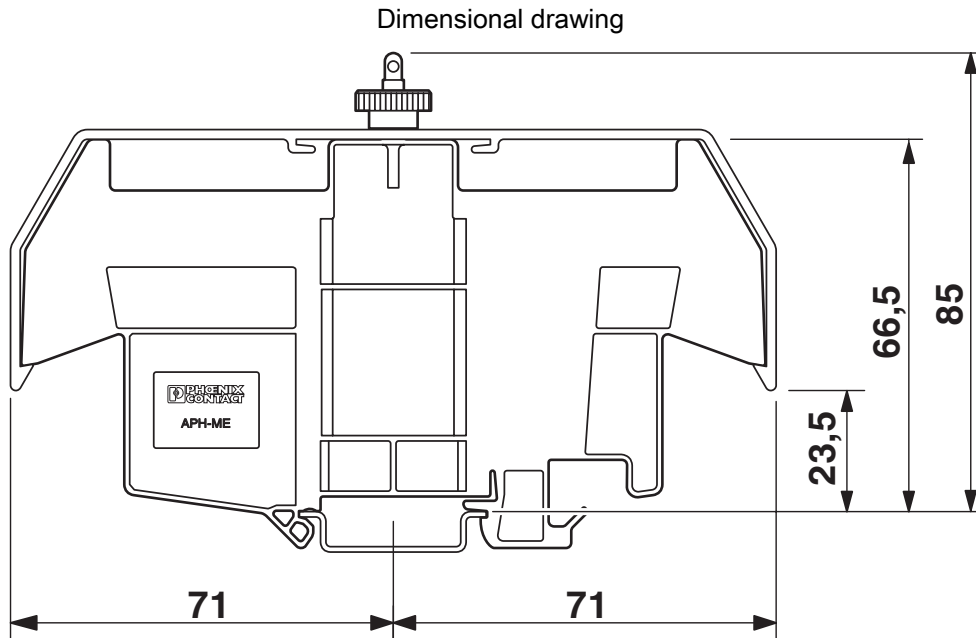
# APH-ME - Cover profile carrier

3034374

<https://www.phoenixcontact.com/in/products/3034374>



## Drawings



# APH-ME - Cover profile carrier



3034374

<https://www.phoenixcontact.com/in/products/3034374>

## Classifications

### ECLASS

ECLASS-11.0	27141135
ECLASS-12.0	27141135
ECLASS-13.0	27250302

### ETIM

ETIM 9.0	EC001041
----------	----------

### UNSPSC

UNSPSC 21.0	39121400
-------------	----------

# APH-ME - Cover profile carrier



3034374

<https://www.phoenixcontact.com/in/products/3034374>

## Environmental product compliance

### EU RoHS

Fulfills EU RoHS substance requirements	Yes, No exemptions
---	--------------------

### China RoHS

Environment friendly use period (EFUP)	EFUP-E
	No hazardous substances above the limits

### EU REACH SVHC

REACH candidate substance (CAS No.)	No substance above 0.1 wt%
-------------------------------------	----------------------------

# APH-ME - Cover profile carrier

3034374

<https://www.phoenixcontact.com/in/products/3034374>



## Accessories

### AH-ME - Covering hood

3240265

<https://www.phoenixcontact.com/in/products/3240265>



**Cover**, for the contact- and dust-protected encapsulation of the components

---

### AP-ME

### METER - Cover profile

3034361

<https://www.phoenixcontact.com/in/products/3034361>



Cover profile, for covering terminal strips, snapped onto APT-ME cover profile carrier or APH-ME end bracket. A cover profile carrier should be positioned at the ends and at intervals of around 40 cm. Length supplied: 1 m

# APH-ME - Cover profile carrier

3034374

<https://www.phoenixcontact.com/in/products/3034374>



## SBS 8:UNBEDRUCKT - Marker card

1007235

<https://www.phoenixcontact.com/in/products/1007235>



Marker card, Card, white, unlabeled, can be labeled with: Marker pen, mounting type: snap into tall marker groove, snap into flat marker groove, for terminal block width: 8 mm, lettering field size: 6 x 8.1 mm

---

## NS 35/ 7,5 PERF 2000MM - DIN rail perforated

0801733

<https://www.phoenixcontact.com/in/products/0801733>



DIN rail perforated, Pack of 25 (50 m), acc. to EN 60715, material: Steel, galvanized, passivated with a thick layer, Standard profile, color: silver



# APH-ME - Cover profile carrier

3034374

<https://www.phoenixcontact.com/in/products/3034374>



## NS 35/ 7,5 UNPERF 2000MM - DIN rail, unperforated

0801681

<https://www.phoenixcontact.com/in/products/0801681>



DIN rail, unperforated, Pack of 25 (50 m), acc. to EN 60715, material: Steel, galvanized, passivated with a thick layer, Standard profile, color: silver

---

## NS 35/ 7,5 WH PERF 2000MM - DIN rail perforated

1204119

<https://www.phoenixcontact.com/in/products/1204119>



DIN rail perforated, Pack of 25 (50 m), acc. to EN 60715, material: Steel, Galvanized, white passivated, Standard profile, color: silver

# APH-ME - Cover profile carrier

3034374

<https://www.phoenixcontact.com/in/products/3034374>



## NS 35/ 7,5 WH UNPERF 2000MM-VPE 10 - DIN rail, unperforated

1204122

<https://www.phoenixcontact.com/in/products/1204122>



DIN rail, unperforated, Pack of 10 (20 m), acc. to EN 60715, material: Steel, Galvanized, white passivated, Standard profile, color: silver

---

## NS 35/ 7,5 AL UNPERF 2000MM - DIN rail, unperforated

0801704

<https://www.phoenixcontact.com/in/products/0801704>



DIN rail, unperforated, Pack of 25 (50 m), acc. to EN 60715, material: Aluminum, uncoated, Standard profile, color: silver

# APH-ME - Cover profile carrier

3034374

<https://www.phoenixcontact.com/in/products/3034374>



## NS 35/ 7,5 ZN PERF 2000MM - DIN rail perforated

1206421

<https://www.phoenixcontact.com/in/products/1206421>



DIN rail perforated, Pack of 25 (50 m), acc. to EN 60715, material: Steel, galvanized, Standard profile, color: silver

---

## NS 35/ 7,5 ZN UNPERF 2000MM - DIN rail, unperforated

1206434

<https://www.phoenixcontact.com/in/products/1206434>



DIN rail, unperforated, Pack of 25 (50 m), acc. to EN 60715, material: Steel, galvanized, Standard profile, color: silver

# APH-ME - Cover profile carrier

3034374

<https://www.phoenixcontact.com/in/products/3034374>



## NS 35/ 7,5 CU UNPERF 2000MM-VPE 10 - DIN rail, unperforated

0801762

<https://www.phoenixcontact.com/in/products/0801762>



DIN rail, unperforated, Pack of 10 (20 m), acc. to EN 60715, material: Copper, uncoated, Standard profile, color: copper-colored

---

## NS 35/ 7,5 CAP - End cap

1206560

<https://www.phoenixcontact.com/in/products/1206560>

DIN rail end piece, for DIN rail NS 35/7.5



# APH-ME - Cover profile carrier

3034374

<https://www.phoenixcontact.com/in/products/3034374>



## NS 35/15 PERF 2000MM - DIN rail perforated

1201730

<https://www.phoenixcontact.com/in/products/1201730>



DIN rail perforated, Pack of 25 (50 m), similar to EN 60715, material: Steel, galvanized, passivated with a thick layer, Standard profile, color: silver

---

## NS 35/15 UNPERF 2000MM - DIN rail, unperforated

1201714

<https://www.phoenixcontact.com/in/products/1201714>



DIN rail, unperforated, Pack of 25 (50 m), similar to EN 60715, material: Steel, galvanized, passivated with a thick layer, Standard profile, color: silver

# APH-ME - Cover profile carrier

3034374

<https://www.phoenixcontact.com/in/products/3034374>



## NS 35/15 WH PERF 2000MM - DIN rail perforated

0806602

<https://www.phoenixcontact.com/in/products/0806602>



DIN rail perforated, Pack of 25 (50 m), similar to EN 60715, material: Steel, Galvanized, white passivated, Standard profile, color: white

---

## NS 35/15 WH UNPERF 2000MM-VPE 10 - DIN rail, unperforated

1204135

<https://www.phoenixcontact.com/in/products/1204135>



DIN rail, unperforated, Pack of 10 (20 m), similar to EN 60715, material: Steel, Galvanized, white passivated, Standard profile, color: silver

# APH-ME - Cover profile carrier

3034374

<https://www.phoenixcontact.com/in/products/3034374>



## NS 35/15 AL UNPERF 2000MM - DIN rail, unperforated

1201756

<https://www.phoenixcontact.com/in/products/1201756>



DIN rail, unperforated, similar to EN 60715, material: Aluminum, uncoated, Standard profile, color: silver

---

## NS 35/15 ZN PERF 2000MM - DIN rail perforated

1206599

<https://www.phoenixcontact.com/in/products/1206599>



DIN rail perforated, Pack of 25 (50 m), similar to EN 60715, material: Steel, galvanized, Standard profile, color: silver

# APH-ME - Cover profile carrier

3034374

<https://www.phoenixcontact.com/in/products/3034374>



## NS 35/15 ZN UNPERF 2000MM - DIN rail, unperforated

1206586

<https://www.phoenixcontact.com/in/products/1206586>



DIN rail, unperforated, Pack of 25 (50 m), similar to EN 60715, material: Steel, galvanized, Standard profile, color: silver

---

## NS 35/15 CU UNPERF 2000MM-VPE 10 - DIN rail, unperforated

1201895

<https://www.phoenixcontact.com/in/products/1201895>



DIN rail, unperforated, Pack of 10 (20 m), similar to EN 60715, material: Copper, uncoated, Standard profile, color: copper-colored



# APH-ME - Cover profile carrier

3034374

<https://www.phoenixcontact.com/in/products/3034374>



## NS 35/15 CAP - End cap

1206573

<https://www.phoenixcontact.com/in/products/1206573>

DIN rail end piece, for DIN rail NS 35/15



---

## NS 35/15-2,3 UNPERF 2000MM-VPE 10 - DIN rail, unperforated

1201798

<https://www.phoenixcontact.com/in/products/1201798>

DIN rail, unperforated, Pack of 10 (20 m), acc. to EN 60715, material: Steel, galvanized, passivated with a thick layer, Standard profile 2.3 mm, color: silver



# APH-ME - Cover profile carrier

3034374

<https://www.phoenixcontact.com/in/products/3034374>



## E/AL-NS 35 - End bracket

1201662

<https://www.phoenixcontact.com/in/products/1201662>



End clamp, for end support of UKH 50 to UKH 240, is pushed onto DIN rail NS 35 and fixed with 2 screws, width: 10 mm, color: aluminum

---

## AH-ME 145X150X80 - Covering hood

3240266

<https://www.phoenixcontact.com/in/products/3240266>



**Cover**, for the contact- and dust-protected encapsulation of the components

# APH-ME - Cover profile carrier

3034374

<https://www.phoenixcontact.com/in/products/3034374>



## AH-ME 115X150X80 - Covering hood

3240267

<https://www.phoenixcontact.com/in/products/3240267>



**Cover**, for the contact- and dust-protected encapsulation of the components

---

## AP-ME CM - Cover profile

3034345

<https://www.phoenixcontact.com/in/products/3034345>



Cover profile for covering terminal strips, snaps onto cover profile carrier APT-ME or end clamp APH-ME. A cover profile carrier is to be positioned at the ends and at intervals of around 40 cm. Length as per customer requirement.

---

Phoenix Contact 2024 © - all rights reserved  
<https://www.phoenixcontact.com>

PHOENIX CONTACT (I) Pvt. Ltd.  
A-58/2, Okhla Industrial Area, Phase - II, New Delhi-110 020

+91.1275.71420  
[info@phoenixcontact.co.in](mailto:info@phoenixcontact.co.in)