

UMK-BE 11,25 - Base element



2971535

<https://www.phoenixcontact.com/in/products/2971535>

Please be informed that the data shown in this PDF document is generated from our online catalog. Please find the complete data in the user documentation. Our general terms of use for downloads are valid.

Electronic board base, plug-in module base element



Commercial data

Item number	2971535
Packing unit	10 pc
Minimum order quantity	10 pc
Sales key	ACH
Product key	ACHDCA
Catalog page	Page 760 (C-1-2013)
GTIN	4017918088392
Weight per piece (including packing)	4.684 g
Weight per piece (excluding packing)	4.72 g
Customs tariff number	84879090
Country of origin	PL

UMK-BE 11,25 - Base element

2971535

<https://www.phoenixcontact.com/in/products/2971535>

Technical data

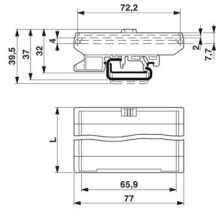
Product properties

Product type	Component housing lower part
Housing type	Press-drawn section housings
Housing series	UMK
Product family	UMK BE
Type	Module width 11.25 mm, since the housing can remain open at the top, it is possible for parts to protrude above the actual profile height
Type	Plug-in module base element
Ventilation openings present	no

Data management status

Article revision	01
------------------	----

Dimensions

Dimensional drawing	
Depth	15.5 mm
Length	11.25 mm

External dimensions

Profile width (external)	77 mm
--------------------------	-------

Internal dimensions

Profile width (internal)	72.2 mm
--------------------------	---------

Material specifications

Color (Housing)	green (RAL 6021)
Flammability rating according to UL 94	V2
Housing material	Polyamide
Surface characteristics	untreated

Environmental and real-life conditions

Ambient conditions

Ambient temperature (operation)	-40 °C ... 105 °C (depending on power dissipation)
Ambient temperature (storage/transport)	-40 °C ... 55 °C
Ambient temperature (assembly)	-5 °C ... 100 °C
Relative humidity (storage/transport)	80 %

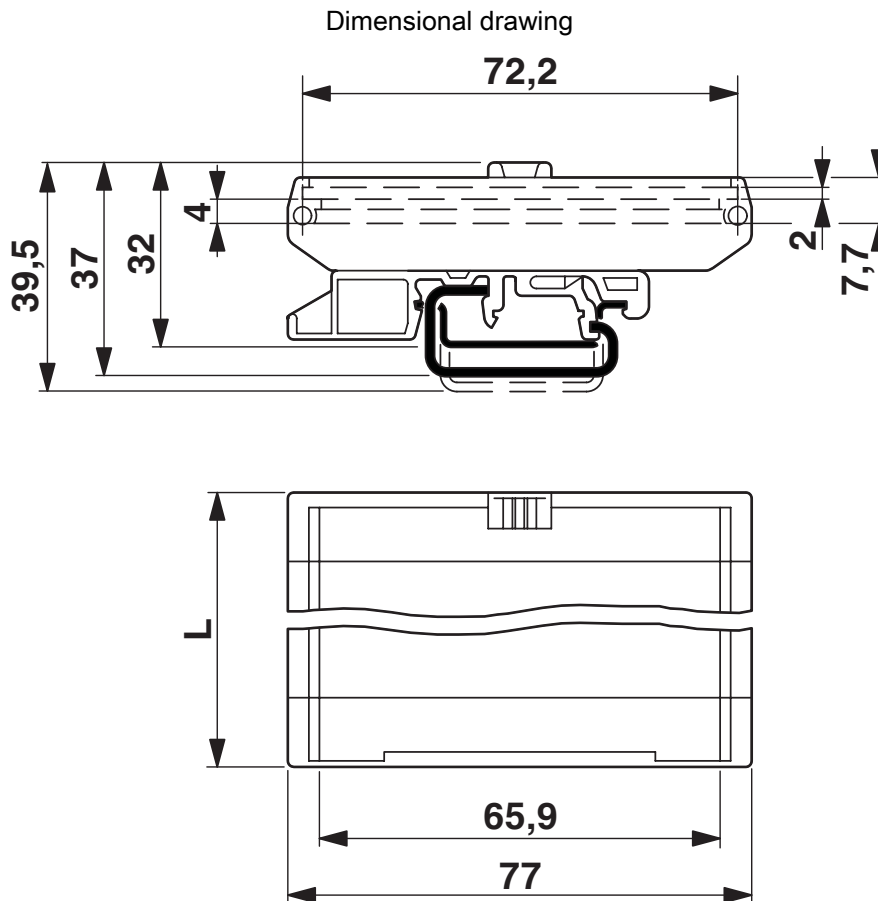
UMK-BE 11,25 - Base element

2971535

<https://www.phoenixcontact.com/in/products/2971535>



Drawings



UMK-BE 11,25 - Base element



2971535

<https://www.phoenixcontact.com/in/products/2971535>

Approvals

To download certificates, visit the product detail page: <https://www.phoenixcontact.com/in/products/2971535>



UL Recognized

Approval ID: E240868

UMK-BE 11,25 - Base element



2971535

<https://www.phoenixcontact.com/in/products/2971535>

Classifications

ECLASS

ECLASS-11.0	27182701
ECLASS-13.0	27190601

ETIM

ETIM 8.0	EC002779
----------	----------

UNSPSC

UNSPSC 21.0	31261500
-------------	----------

UMK-BE 11,25 - Base element



2971535

<https://www.phoenixcontact.com/in/products/2971535>

Environmental product compliance

EU RoHS

Fulfills EU RoHS substance requirements	Yes, No exemptions
---	--------------------

China RoHS

Environment friendly use period (EFUP)	EFUP-E
	No hazardous substances above the limits

EU REACH SVHC

REACH candidate substance (CAS No.)	No substance above 0.1 wt%
-------------------------------------	----------------------------

UMK-BE 11,25 - Base element

2971535

<https://www.phoenixcontact.com/in/products/2971535>



Accessories

UMK-BE 45 - Base element

2970015

<https://www.phoenixcontact.com/in/products/2970015>

Electronic board base, plug-in module base element



UMK-BE 22,5 - Base element

2970028

<https://www.phoenixcontact.com/in/products/2970028>

Electronic board base, plug-in module base element



UMK-BE 11,25 - Base element

2971535

<https://www.phoenixcontact.com/in/products/2971535>



UMK-FE - Foot element

2970031

<https://www.phoenixcontact.com/in/products/2970031>

Foot element, for mounting on DIN rail NS 32 or DIN rail NS 35/7.5, can be inserted between base and side element



UMK-BF - Mounting flange

2976077

<https://www.phoenixcontact.com/in/products/2976077>

Mounting flange, for mounting directly on the wall



Phoenix Contact 2024 © - all rights reserved
<https://www.phoenixcontact.com>

PHOENIX CONTACT (I) Pvt. Ltd.
A-58/2, Okhla Industrial Area, Phase - II, New Delhi-110 020

+91.1275.71420
info@phoenixcontact.co.in