

PLC-ATP BK - Separating plate



2966841

<https://www.phoenixcontact.com/in/products/2966841>

Please be informed that the data shown in this PDF document is generated from our Online Catalog. Please find the complete data in the user documentation. Our General Terms of Use for Downloads are valid.



Separating plate, 2 mm thick, required at the start and end of a PLC terminal strip. Furthermore, it is used for: visual separation of groups, safe isolation of different voltages of neighboring PLC relays in acc. with DIN VDE 0106-101, isolation

Product Description

Separating plate, 2 mm thick, required at the start and end of a PLC terminal strip. It also serves for visual separation of groups, safe isolation of different voltages of neighboring PLC relays in acc. with DIN VDE 0106-101, separation of neighboring bridges with different potentials, separation of PLC relays with voltages >250 V, color: Black

Commercial Data

Item number	2966841
Packing unit	25 pc
Minimum order quantity	25 pc
Sales Key	CK6
Product Key	CK6245
Catalog Page	Page 426 (C-5-2019)
GTIN	4017918130664
Weight per Piece (including packing)	16.272 g
Weight per Piece (excluding packing)	12.151 g
Customs tariff number	85472000
Country of origin	DE

PLC-ATP BK - Separating plate

2966841

<https://www.phoenixcontact.com/in/products/2966841>

Technical Data

Product properties

Product type	Partition plate
Product family	PLC-INTERFACE

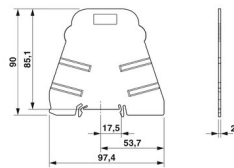
Ambient conditions

Ambient temperature (storage/transport)	-40 °C ... 85 °C
---	------------------

Mounting

Mounting type	DIN rail mounting
---------------	-------------------

Dimensions

Dimensional drawing	
Width	2 mm
Height	97.4 mm
Depth	90 mm

Environmental and real-life conditions

Ambient conditions

Ambient temperature (storage/transport)	-40 °C ... 85 °C
---	------------------

PLC-ATP BK - Separating plate

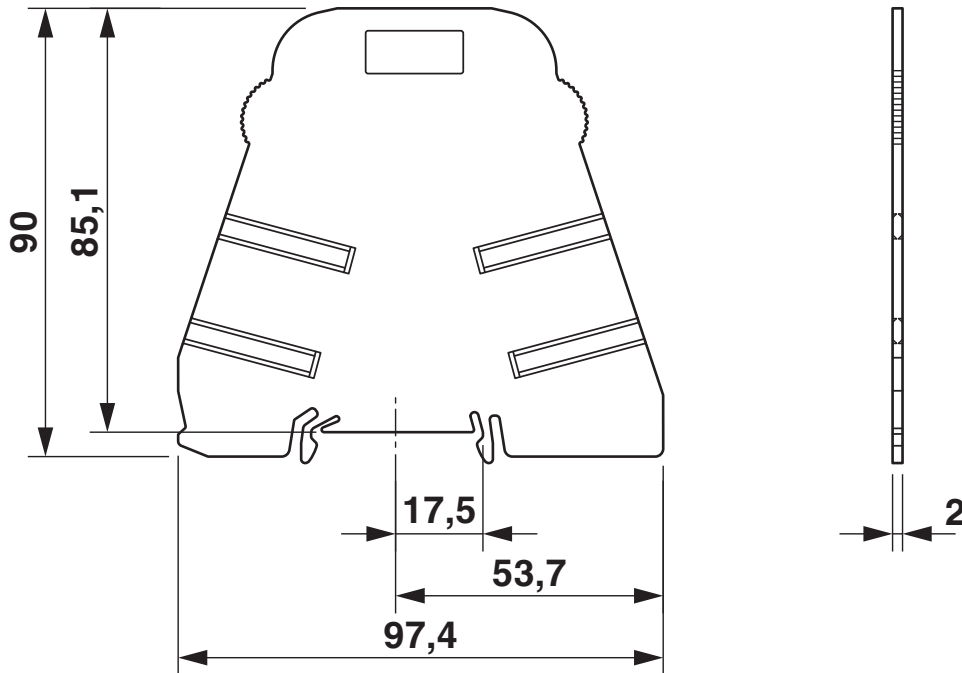
2966841

<https://www.phoenixcontact.com/in/products/2966841>



Drawings

Dimensional drawing



PLC-ATP BK - Separating plate



2966841

<https://www.phoenixcontact.com/in/products/2966841>

Approvals



PRS

Approval ID: TE/2109/880590/16



GL

Approval ID: 46016-03 HH

PLC-ATP BK - Separating plate



2966841

<https://www.phoenixcontact.com/in/products/2966841>

Classifications

ECLASS

ECLASS-11.0	27371692
ECLASS-12.0	27371692
ECLASS-13.0	27371692

ETIM

ETIM 8.0	EC002586
----------	----------

UNSPSC

UNSPSC 21.0	39122300
-------------	----------

PLC-ATP BK - Separating plate

2966841

<https://www.phoenixcontact.com/in/products/2966841>



Environmental Product Compliance

China RoHS	Environmentally friendly use period: unlimited = EFUP-e
	No hazardous substances above threshold values

PLC-ATP BK - Separating plate

2966841

<https://www.phoenixcontact.com/in/products/2966841>



Accessories

FBST 500-PLC RD - Continuous plug-in bridge

2966786

<https://www.phoenixcontact.com/in/products/2966786>

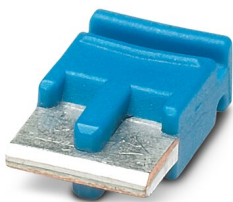


Continuous plug-in bridge, length: 500 mm, color: red

FBST 6-PLC BU - Single plug-in bridge

2966812

<https://www.phoenixcontact.com/in/products/2966812>



Single plug-in bridge, number of positions: 2, length: 6 mm, color: blue

PLC-ATP BK - Separating plate

2966841

<https://www.phoenixcontact.com/in/products/2966841>



FBST 500-PLC GY - Continuous plug-in bridge

2966838

<https://www.phoenixcontact.com/in/products/2966838>



Continuous plug-in bridge, length: 500 mm, color: gray

FBST 14-PLC BK - Single plug-in bridge

2967691

<https://www.phoenixcontact.com/in/products/2967691>



Single plug-in bridge, number of positions: 2, length: 14 mm, color: black

PLC-ATP BK - Separating plate

2966841

<https://www.phoenixcontact.com/in/products/2966841>



FBST 8-PLC GY - Single plug-in bridge

2967688

<https://www.phoenixcontact.com/in/products/2967688>

Single plug-in bridge, number of positions: 2, length: 8 mm, color: gray

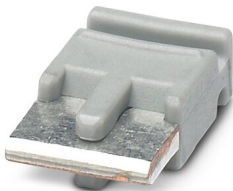


FBST 6-PLC GY - Single plug-in bridge

2966825

<https://www.phoenixcontact.com/in/products/2966825>

Single plug-in bridge, number of positions: 2, length: 6 mm, color: gray



PLC-ATP BK - Separating plate

2966841

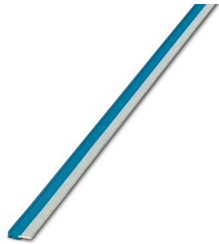
<https://www.phoenixcontact.com/in/products/2966841>



FBST 500-PLC BU - Continuous plug-in bridge

2966692

<https://www.phoenixcontact.com/in/products/2966692>

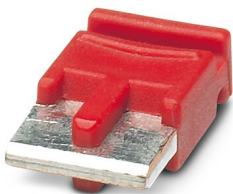


Continuous plug-in bridge, length: 500 mm, color: blue

FBST 6-PLC RD - Single plug-in bridge

2966236

<https://www.phoenixcontact.com/in/products/2966236>



Single plug-in bridge, number of positions: 2, length: 6 mm, color: red

PLC-ATP BK - Separating plate

2966841

<https://www.phoenixcontact.com/in/products/2966841>



NS 35/ 7,5 V2A UNPERF 2000MM - DIN rail, unperforated

0801377

<https://www.phoenixcontact.com/in/products/0801377>



DIN rail, unperforated, acc. to EN 60715, material: Stainless steel V2A, uncoated, Standard profile, color: silver, Pack of 25 (50 m)

NS 35/ 7,5 PERF 2000MM - DIN rail perforated

0801733

<https://www.phoenixcontact.com/in/products/0801733>



DIN rail perforated, acc. to EN 60715, material: Steel, galvanized, passivated with a thick layer, Standard profile, color: silver, Pack of 25 (50 m)

PLC-ATP BK - Separating plate

2966841

<https://www.phoenixcontact.com/in/products/2966841>



NS 35/ 7,5 CU UNPERF 2000MM-VPE 10 - DIN rail, unperforated

0801762

<https://www.phoenixcontact.com/in/products/0801762>



DIN rail, unperforated, acc. to EN 60715, material: Copper, uncoated, Standard profile, color: copper-colored, Pack of 10 (20 m)

NS 35/15 UNPERF 2000MM - DIN rail, unperforated

1201714

<https://www.phoenixcontact.com/in/products/1201714>



DIN rail, unperforated, similar to EN 60715, material: Steel, galvanized, passivated with a thick layer, Standard profile, color: silver, Pack of 25 (50 m)

PLC-ATP BK - Separating plate

2966841

<https://www.phoenixcontact.com/in/products/2966841>



NS 35/15 CU UNPERF 2000MM-VPE 10 - DIN rail, unperforated

1201895

<https://www.phoenixcontact.com/in/products/1201895>



DIN rail, unperforated, similar to EN 60715, material: Copper, uncoated, Standard profile, color: copper-colored, Pack of 10 (20 m)

NS 35/15-2,3 UNPERF 2000MM-VPE 10 - DIN rail, unperforated

1201798

<https://www.phoenixcontact.com/in/products/1201798>



DIN rail, unperforated, acc. to EN 60715, material: Steel, galvanized, passivated with a thick layer, Standard profile 2.3 mm, color: silver, Pack of 10 (20 m)

PLC-ATP BK - Separating plate

2966841

<https://www.phoenixcontact.com/in/products/2966841>



NS 35/15 AL UNPERF 2000MM - DIN rail, unperforated

1201756

<https://www.phoenixcontact.com/in/products/1201756>



DIN rail, unperforated, similar to EN 60715, material: Aluminum, uncoated, Standard profile, color: silver

NS 35/15 PERF 2000MM - DIN rail perforated

1201730

<https://www.phoenixcontact.com/in/products/1201730>



DIN rail perforated, similar to EN 60715, material: Steel, galvanized, passivated with a thick layer, Standard profile, color: silver, Pack of 25 (50 m)

PLC-ATP BK - Separating plate

2966841

<https://www.phoenixcontact.com/in/products/2966841>



NS 35/ 7,5 UNPERF 2000MM - DIN rail, unperforated

0801681

<https://www.phoenixcontact.com/in/products/0801681>



DIN rail, unperforated, acc. to EN 60715, material: Steel, galvanized, passivated with a thick layer, Standard profile, color: silver, Pack of 25 (50 m)

Phoenix Contact 2023 © - all rights reserved

<https://www.phoenixcontact.com>

PHOENIX CONTACT (I) Pvt. Ltd.

A-58/2, Okhla Industrial Area, Phase - II, New Delhi-110 020

+91.1275.71420

info@phoenixcontact.co.in