

PSR-SCP- 24UC/ESA4/3X1/1X2/B - Safety relays



2963763

<https://www.phoenixcontact.com/in/products/2963763>

Please be informed that the data shown in this PDF document is generated from our Online Catalog. Please find the complete data in the user documentation. Our General Terms of Use for Downloads are valid.



Safety relay for emergency stop and safety door monitoring up to SIL 3 or Cat. 4, PL e in accordance with EN ISO 13849, 2-channel operation, 3 enabling current paths, nominal input voltage: 24 V DC, plug-in screw terminal block

Your advantages

- Up to Cat. 4/PL e in accordance with EN ISO 13849-1, SIL 3 in accordance with IEC 62061, SIL 3 in accordance with IEC 61508
- 2 channel control
- 3 enabling current paths, 1 signaling current path
- Manually monitored and automatic activation in a single device

Commercial Data

Item number	2963763
Packing unit	1 pc
Minimum order quantity	1 pc
Sales Key	DNA
Product Key	DNA113
Catalog Page	Page 21 (IF-2009)
GTIN	4017918878085
Weight per Piece (including packing)	192.14 g
Weight per Piece (excluding packing)	161.12 g
Customs tariff number	85371098
Country of origin	DE

2963763

<https://www.phoenixcontact.com/in/products/2963763>

Technical Data

Product properties

Product type	Safety relays
Product family	PSRclassic
Application	Emergency stop
	Safety door
Mechanical service life	approx. 10^7 cycles
Relay type	Electromechanical relay with force-guided contacts in accordance with IEC/EN 61810-3

Electrical properties

Maximum power dissipation for nominal condition	16.44 W ($U_S = 26.4$ V, $I_L^2 = 72$ A ² , $P_{Total\ max} = 2.04$ W + 14.4 W)
Nominal operating mode	100% operating factor

Air clearances and creepage distances between the power circuits

Rated insulation voltage	250 V
Rated surge voltage/insulation	See section "Insulation coordination"

Input data

General

Rated control circuit supply voltage U_S	24 V DC -15 % / +10 %
Power consumption at U_S	typ. 1.68 W (DC)
Rated control supply current I_S	typ. 70 mA
Input voltage range in reference to U_N	0.85 ... 1.1
Typical input current at U_N	70 mA DC (at U_S)
Inrush current	< 3.5 A ($\Delta t = 3$ ms at U_S)
	< 100 mA ($\Delta t = 500$ ms, with U_S/I_x at S12)
	> -100 mA ($\Delta t = 300$ ms, with U_S/I_x at S22)
	< 6 mA (with U_S/I_x to S34)
Current consumption	typ. 38 mA (S12)
	typ. -38 mA (S22)
	typ. 1 mA (with U_S/I_x to S34)
Voltage at input/start and feedback circuit	approx. 24 V DC
Filter time	5 ms (at A1 in the event of voltage dips at U_S)
	No test pulses permitted
Typical response time	150 ms (automatic start)
Typ. starting time with U_S	250 ms (with U_S when controlled via A1)
Typical release time	20 ms (on demand via the sensor circuit)
	45 ms (on demand via A1)
Concurrence	∞
Recovery time	1 s (following demand of the safety function)
	< 1 s (Boot time)
Protective circuit	Surge protection; Suppressor diode

PSR-SCP- 24UC/ESA4/3X1/1X2/B - Safety relays



2963763

<https://www.phoenixcontact.com/in/products/2963763>

Max. permissible overall conductor resistance	approx. 50 Ω (Input and start circuits at U _S)
Operating voltage display	Green LED
Status display	Green LED

Output data

Contact type	3 enabling current paths
	1 signaling current path
Contact material	AgSnO ₂ , + 0.2 μm Au
Maximum switching voltage	250 V AC
Minimum switching voltage	10 V AC/DC
Limiting continuous current	6 A (N/O contact)
Maximum inrush current	6 A
Inrush current, minimum	10 mA
Sq. Total current	72 A ² (Enabling current paths)
	36 A ² (Signaling current path 31/32)
Interrupting rating (ohmic load) max.	see load limit curve
Switching capacity min.	100 mW
Switching capacity in accordance with IEC 60947-5-1	6 A (DC13, enabling current paths)
	5 A (AC15, enabling current paths)
	2 A (DC13, signaling current paths)
	1.5 A (AC15, signaling current paths)
Output fuse	10 A gL/gG (Enabling current paths)
	4 A gL/gG (Low-demand enabling current paths)
	6 A gL/gG (Signaling current path)

Connection data

Connection technology

pluggable	yes
-----------	-----

Conductor connection

Connection method	Screw connection
Conductor cross section rigid	0.2 mm ² ... 2.5 mm ²
Conductor cross section flexible	0.2 mm ² ... 2.5 mm ²
Conductor cross-section AWG	24 ... 12
Stripping length	7 mm
Screw thread	M3

Dimensions

Width	22.5 mm
Height	99 mm
Depth	114.5 mm

Material specifications

Housing material	Polyamide
------------------	-----------

Characteristics

Safety data

Stop category	0
---------------	---

Safety data: EN ISO 13849

Category	4
Performance level (PL)	e (5 A DC13; 5 A AC15; 8760 switching cycles/year)

Safety data: IEC 61508 - High demand

Equipment type	Type A
Safety Integrity Level (SIL)	3
Probability of a hazardous failure per hour (PFH _D)	5.5 x 10 ⁻¹⁰ (5 A DC13; 5 A AC15; 8760 switching cycles/year)
Proof test interval	240 Months
Duration of use	240 Months

Safety data: IEC 61508 - Low demand

Equipment type	Type A
Safety Integrity Level (SIL)	3
Probability of a hazardous failure on demand (PFD _{AVG})	1.37 x 10 ⁻⁴
Proof test interval	66 Months

Environmental and real-life conditions

Ambient conditions

Degree of protection	IP20
Min. degree of protection of inst. location	IP54
Ambient temperature (operation)	-20 °C ... 55 °C (observe derating)
Ambient temperature (storage/transport)	-40 °C ... 70 °C
Maximum altitude	≤ 2000 m (Above sea level)
Max. permissible humidity (storage/transport)	75 % (on average, 85% infrequently, non-condensing)
Max. permissible relative humidity (operation)	75 % (on average, 85% infrequently, non-condensing)
Shock	15g
Vibration (operation)	10 Hz ... 150 Hz, 2g

Standards and regulations

Air clearances and creepage distances between the power circuits

Standards/regulations	DIN EN 60947-1
-----------------------	----------------

Mounting

Mounting type	DIN rail mounting
Assembly instructions	See derating curve
Mounting position	vertical or horizontal
Connection method	Screw connection

PSR-SCP- 24UC/ESA4/3X1/1X2/B - Safety relays

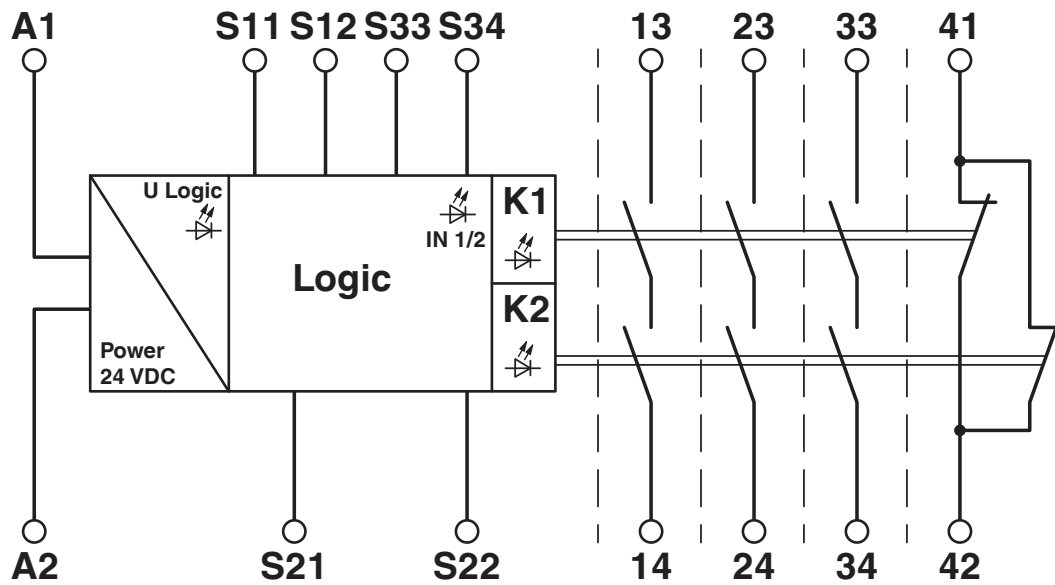


2963763

<https://www.phoenixcontact.com/in/products/2963763>

Drawings

Circuit diagram



PSR-SCP- 24UC/ESA4/3X1/1X2/B - Safety relays



2963763

<https://www.phoenixcontact.com/in/products/2963763>

Approvals



EAC

Approval ID: TR_TS_D_00573_c



UL Listed

Approval ID: FILE E 140324



cUL Listed

Approval ID: FILE E 140324



Functional Safety

Approval ID: 01/205/0652.05/22



Functional Safety

Approval ID: 968/EZ 404.07/22

2963763

<https://www.phoenixcontact.com/in/products/2963763>

Classifications

ECLASS

ECLASS-11.0	27371819
ECLASS-13.0	27371819
ECLASS-12.0	27371819

ETIM

ETIM 8.0	EC001449
----------	----------

UNSPSC

UNSPSC 21.0	39122205
-------------	----------

2963763

<https://www.phoenixcontact.com/in/products/2963763>

Environmental Product Compliance

REACH SVHC	Lead 7439-92-1
China RoHS	Environmentally Friendly Use Period = 50 years
	For information on hazardous substances, refer to the manufacturer's declaration available under "Downloads"

PSR-SCP- 24UC/ESA4/3X1/1X2/B - Safety relays



2963763

<https://www.phoenixcontact.com/in/products/2963763>

Accessories

CP-MSTB - Coding profile

1734634

<https://www.phoenixcontact.com/in/products/1734634>

Coding profile, is inserted into the slot on the plug or inverted header, red insulating material



CR-MSTB - Coding section

1734401

<https://www.phoenixcontact.com/in/products/1734401>

Coding section, inserted into the recess in the header or the inverted plug, red insulating material



Phoenix Contact 2023 © - all rights reserved

<https://www.phoenixcontact.com>

PHOENIX CONTACT (I) Pvt. Ltd.

A-58/2, Okhla Industrial Area, Phase - II, New Delhi-110 020

+91.1275.71420

info@phoenixcontact.co.in