

PSR-SCP- 24UC/URM4/5X1/2X2 - Extension module



2963734

<https://www.phoenixcontact.com/in/products/2963734>

Please be informed that the data shown in this PDF document is generated from our Online Catalog. Please find the complete data in the user documentation. Our General Terms of Use for Downloads are valid.



Single-channel or two-channel contact extension, 5 N/O contacts, 1 N/C contact, 1 confirmation current path, together with basic device up to Cat. 4 PL e in accordance with EN ISO 13849 safe isolation, width: 35 mm, pluggable screw terminal block

Your advantages

- Five enabling, one signaling, and one confirmation current path
- 1- and 2-channel control
- Up to Cat. 4/PL e in accordance with EN ISO 13849-1, SIL 3 in accordance with IEC 62061, SIL 3 in accordance with IEC 61508

Commercial Data

Item number	2963734
Packing unit	1 pc
Minimum order quantity	1 pc
Sales Key	DNA
Product Key	DNA152
Catalog Page	Page 232 (C-6-2019)
GTIN	4017918591120
Weight per Piece (including packing)	309.5 g
Weight per Piece (excluding packing)	309.5 g
Customs tariff number	85371098
Country of origin	DE

Technical Data

Product properties

Product type	Safety relays
Product family	PSRclassic
Application	Extension module
Mechanical service life	approx. 10^7 cycles
Relay type	Safety relay for contact extension

Times

Typ. starting time with U_S	< 20 ms (at U_S / when controlled via A11/A12)
Typical release time	< 20 ms (at U_S / when controlled via A11/A12)
Recovery time	< 1 s

Electrical properties

Maximum power dissipation for nominal condition	15.8 W ($U_S = 26.4$ V, $I_L^2 = 72$ A ² , $P_{Total\ max} = 1.4$ W + 14.4 W)
Nominal operating mode	100% operating factor

Air clearances and creepage distances between the power circuits

Rated insulation voltage	250 V
Rated surge voltage/insulation	See section "Insulation coordination"

Input data

General

Rated control circuit supply voltage U_S	24 V -20 % ... +10 %
Power consumption at U_S	1 W (with DC)
	1.2 W (with AC)
Rated control supply current I_S	typ. 39 mA (per channel, DC)
	typ. 50 mA (per channel, AC)
Inrush current	typ. 200 mA ($\Delta t = 2$ ms at U_S , per channel)
Protective circuit	Surge protection; Varistor (40 V breakdown voltage)

Output data

Contact type	5 enabling current paths
	1 confirmation current path
	1 signaling current path
Contact material	AgSnO ₂
Maximum switching voltage	250 V AC/DC
Minimum switching voltage	5 V AC/DC
Limiting continuous current	6 A (N/O contact)
	3 A (N/C contact 11/12)
	6 A (N/C contact 71/72)
Maximum inrush current	6 A
Inrush current, minimum	10 mA

PSR-SCP- 24UC/URM4/5X1/2X2 - Extension module



2963734

<https://www.phoenixcontact.com/in/products/2963734>

Sq. Total current	$72 \text{ A}^2 (I_{TH}^2 = I_1^2 + I_2^2 + \dots + I_5^2)$
Switching capacity min.	50 mW
Switching capacity in accordance with IEC 60947-5-1	3 A (AC15)
	5 A (DC13)
Output fuse	10 A gL/gG (N/O contact)
	6 A gL/gG (N/C contact)

Relay

Interrupting rating (ohmic load) max.	see load limit curve
---------------------------------------	----------------------

Connection data

Connection technology

pluggable	yes
-----------	-----

Conductor connection

Connection method	Screw connection
Conductor cross section rigid	0.2 mm ² ... 2.5 mm ²
Conductor cross section flexible	0.2 mm ² ... 2.5 mm ²
Conductor cross-section AWG	24 ... 12
Stripping length	7 mm
Screw thread	M3
Tightening torque	0.5 Nm ... 0.6 Nm

Signaling

Operating voltage display	2 x green LED
---------------------------	---------------

Dimensions

Width	35 mm
Height	99 mm
Depth	114.5 mm

Material specifications

Housing material	Polyamide
------------------	-----------

Characteristics

Safety data

Stop category	0
---------------	---

Safety data: EN ISO 13849

Category	4 (In conjunction with suitable evaluating device)
Performance level (PL)	e (In conjunction with suitable evaluating device)

Safety data: IEC 61508 - High demand

Equipment type	Type A
Safety Integrity Level (SIL)	3 (In conjunction with suitable evaluating device)

2963734

<https://www.phoenixcontact.com/in/products/2963734>

Probability of a hazardous failure per hour (PFH _D)	9.04 x 10 ⁻¹¹ (3 A DC13; 3 A AC15; 8760 switching cycles/year)
Proof test interval	240 Months
Duration of use	240 Months

Safety data: IEC 61508 - Low demand

Equipment type	Type A
Safety Integrity Level (SIL)	3 (In conjunction with suitable evaluating device)
Probability of a hazardous failure on demand (PFD _{AVG})	1.46 x 10 ⁻⁴
Proof test interval	110 Months
Duration of use	240 Months

Environmental and real-life conditions

Ambient conditions

Degree of protection	IP20
Min. degree of protection of inst. location	IP54
Ambient temperature (operation)	-20 °C ... 55 °C (observe derating)
Ambient temperature (storage/transport)	-40 °C ... 70 °C
Maximum altitude	≤ 2000 m (Above sea level)
Max. permissible humidity (storage/transport)	75 % (on average, 85% infrequently, non-condensing)
Max. permissible relative humidity (operation)	75 % (on average, 85% infrequently, non-condensing)
Shock	15g
Vibration (operation)	10 Hz ... 150 Hz, 2g

Standards and regulations

Air clearances and creepage distances between the power circuits

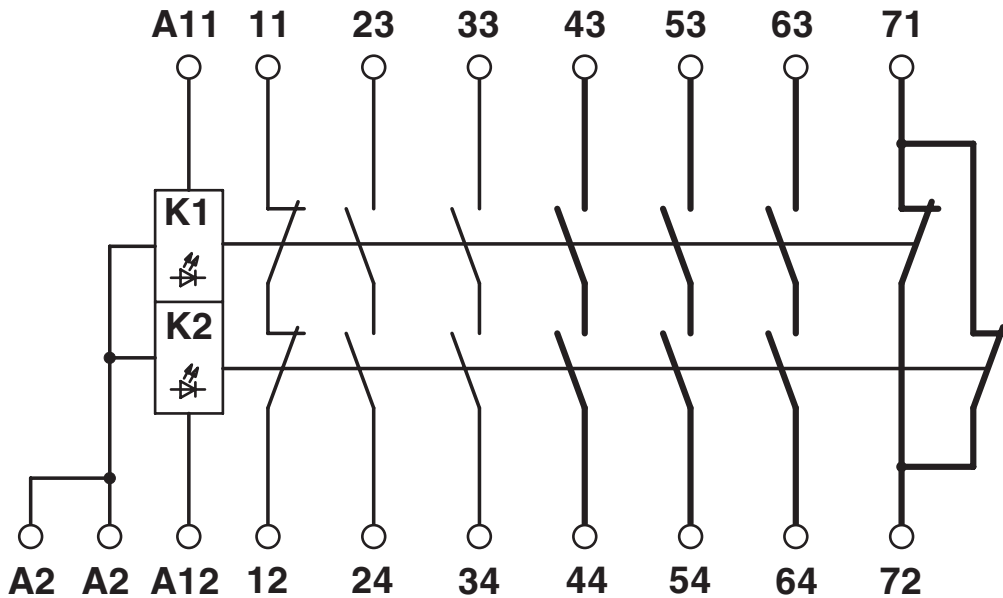
Standards/regulations	EN 60947-5-1
-----------------------	--------------

Mounting

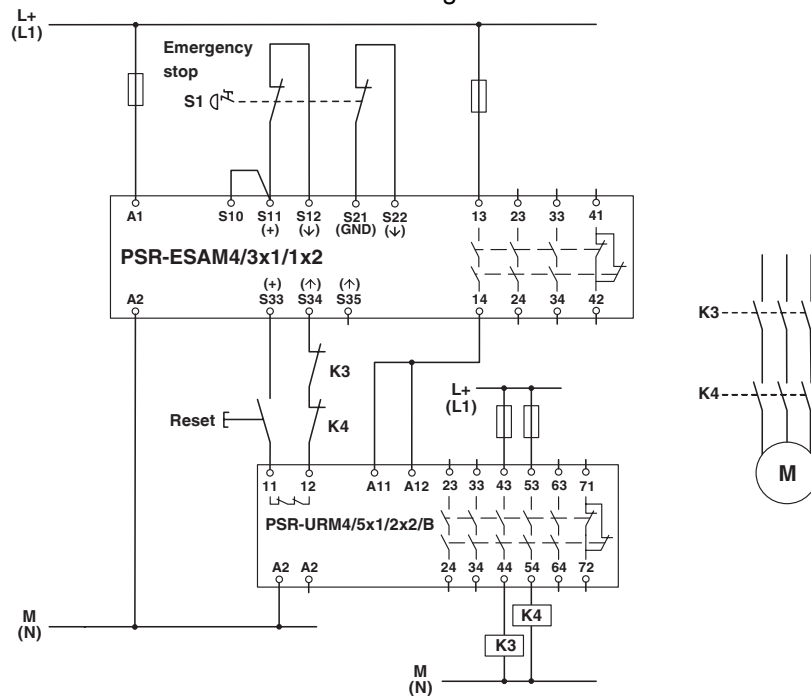
Mounting type	DIN rail mounting
Assembly instructions	Observe derating
Mounting position	vertical or horizontal
Connection method	Screw connection

Drawings

Circuit diagram



Circuit diagram



2963734

<https://www.phoenixcontact.com/in/products/2963734>

Approvals



EAC

Approval ID: TR TS_D_01838-19



UL Listed

Approval ID: FILE E 140324



cUL Listed

Approval ID: FILE E 140324

2963734

<https://www.phoenixcontact.com/in/products/2963734>

Classifications

ECLASS

ECLASS-11.0	27371819
ECLASS-13.0	27371819
ECLASS-12.0	27371819

ETIM

ETIM 8.0	EC001449
----------	----------

UNSPSC

UNSPSC 21.0	39122200
-------------	----------

2963734

<https://www.phoenixcontact.com/in/products/2963734>

Environmental Product Compliance

REACH SVHC	Lead 7439-92-1
China RoHS	Environmentally Friendly Use Period = 50 years
	For information on hazardous substances, refer to the manufacturer's declaration available under "Downloads"

PSR-SCP- 24UC/URM4/5X1/2X2 - Extension module



2963734

<https://www.phoenixcontact.com/in/products/2963734>

Accessories

CP-MSTB - Coding profile

1734634

<https://www.phoenixcontact.com/in/products/1734634>

Coding profile, is inserted into the slot on the plug or inverted header, red insulating material



CR-MSTB - Coding section

1734401

<https://www.phoenixcontact.com/in/products/1734401>

Coding section, inserted into the recess in the header or the inverted plug, red insulating material



Phoenix Contact 2023 © - all rights reserved

<https://www.phoenixcontact.com>

PHOENIX CONTACT (I) Pvt. Ltd.

A-58/2, Okhla Industrial Area, Phase - II, New Delhi-110 020

+91.1275.71420

info@phoenixcontact.co.in