

UM108-SEFE/R-A73 - Lateral element

2959719

<https://www.phoenixcontact.com/in/products/2959719>

Please be informed that the data shown in this PDF document is generated from our online catalog. Please find the complete data in the user documentation. Our general terms of use for downloads are valid.

Side element, with foot, tall version, right-hand, for 73 mm wide U-shaped cover.



Commercial data

Item number	2959719
Packing unit	10 pc
Minimum order quantity	10 pc
Sales key	ACH
Product key	ACHDBA
Catalog page	Page 757 (C-1-2013)
GTIN	4017918086350
Weight per piece (including packing)	18.22 g
Weight per piece (excluding packing)	18.22 g
Customs tariff number	85389099
Country of origin	PL

UM108-SEFE/R-A73 - Lateral element



2959719

<https://www.phoenixcontact.com/in/products/2959719>

Technical data

Product properties

Product type	Panel mounting base side part
Housing type	Press-drawn section housings
Housing series	UM
Product family	UM108
Type	Lateral element (left), tall design
Ventilation openings present	no

Data management status

Article revision	01
------------------	----

Material specifications

Color (Housing)	green (RAL 6021)
Flammability rating according to UL 94	V0
Housing material	Polyamide
Surface characteristics	untreated

Environmental and real-life conditions

Ambient conditions

Ambient temperature (operation)	-40 °C ... 105 °C (depending on power dissipation)
---------------------------------	--

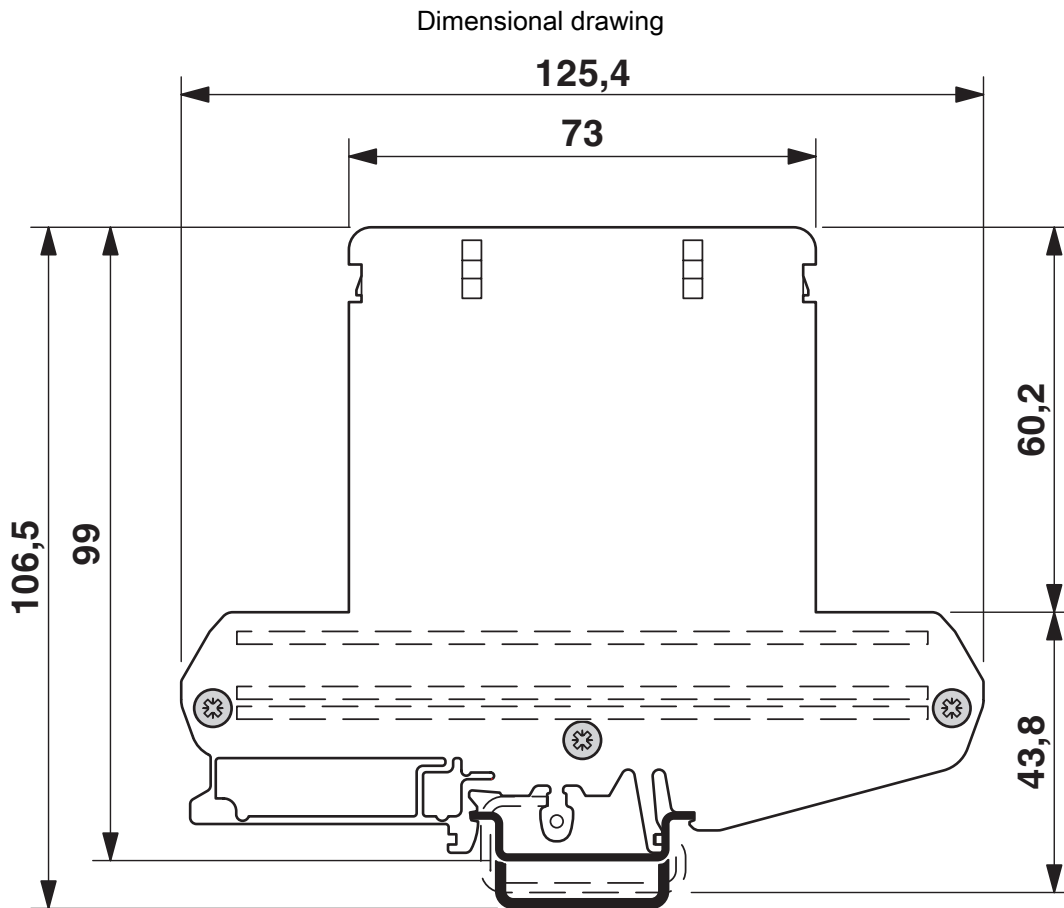
UM108-SEFE/R-A73 - Lateral element



2959719

<https://www.phoenixcontact.com/in/products/2959719>

Drawings



UM108-SEFE/R-A73 - Lateral element



2959719

<https://www.phoenixcontact.com/in/products/2959719>

Approvals

To download certificates, visit the product detail page: <https://www.phoenixcontact.com/in/products/2959719>



UL Recognized

Approval ID: E240868

UM108-SEFE/R-A73 - Lateral element



2959719

<https://www.phoenixcontact.com/in/products/2959719>

Classifications

ECLASS

ECLASS-11.0	27182701
ECLASS-13.0	27190602

ETIM

ETIM 8.0	EC002779
----------	----------

UNSPSC

UNSPSC 21.0	31261500
-------------	----------

UM108-SEFE/R-A73 - Lateral element



2959719

<https://www.phoenixcontact.com/in/products/2959719>

Environmental product compliance

EU RoHS

Fulfills EU RoHS substance requirements	Yes, No exemptions
---	--------------------

China RoHS

Environment friendly use period (EFUP)	EFUP-E
	No hazardous substances above the limits

EU REACH SVHC

REACH candidate substance (CAS No.)	No substance above 0.1 wt%
-------------------------------------	----------------------------

Phoenix Contact 2024 © - all rights reserved
<https://www.phoenixcontact.com>

PHOENIX CONTACT (I) Pvt. Ltd.
A-58/2, Okhla Industrial Area, Phase - II, New Delhi-110 020

+91.1275.71420
info@phoenixcontact.co.in