

MINI-DC-UPS/12DC/4 - Uninterruptible power supply



2866598

<https://www.phoenixcontact.com/in/products/2866598>

Please be informed that the data shown in this PDF document is generated from our Online Catalog. Please find the complete data in the user documentation. Our General Terms of Use for Downloads are valid.



Uninterruptible power supply with integrated power supply unit, 4 A, in combination with MINI-BAT/12/DC 1.6 Ah or 2.6 Ah

Product Description

The MINI UPS modules with integrated power supply are particularly space-saving: UPS module and power supply in one housing. Only one energy storage is required to complete the UPS system. Energy storage with lead AGM technology enables buffer times of up to 2 hours under nominal load for output voltages of 24 V DC or 12 V DC.

Your advantages

- High operational safety - comprehensive signaling and temperature-dependent battery charging
- Fast installation – minimal wiring effort with COMBICON connectors for easy connection

Commercial Data

Item number	2866598
Packing unit	1 pc
Minimum order quantity	1 pc
Sales Key	CMU
Product Key	CMUM12
Catalog Page	Page 350 (C-4-2019)
GTIN	4046356418522
Weight per Piece (including packing)	494 g
Weight per Piece (excluding packing)	491 g
Customs tariff number	85371091
Country of origin	CN

MINI-DC-UPS/12DC/4 - Uninterruptible power supply



2866598

<https://www.phoenixcontact.com/in/products/2866598>

Technical Data

Product properties

Product type	DC UPS with integrated power supply
Product family	MINI UPS – UPS with integrated power supply
IQ technology	no
MTBF (IEC 61709, SN 29500)	> 728000 h (40 °C)

Insulation characteristics

Protection class	II (in closed control cabinet)
Degree of pollution	2

Electrical properties

Insulation voltage input/output	4 kV (type test)
	2 kV (routine test)

Input data

DC operation

Input voltage	12 V DC
Input voltage range	100 V DC ... 350 V DC (UL508: 100...250 V DC)
Voltage type of supply voltage	DC
Inrush current	< 34 A
Inrush current integral (I^2t)	< 1.1 A ² s
Mains buffering time	see diagram
Buffer period	20 min. (4 A)
Rotary selector switch	Can be set to: 0.5 min; 1 min; 2 min; 3 min; 5 min; 10 min; 15 min; 20 min; 30 min; permanent
Current consumption	0.5 A
	0.65 A (230 V AC)
	1.15 A
	1.35 A (120 V AC)
Protective circuit	Varistor
Power factor (cos phi)	approx. 0.5
Typical response time	100 ms
Input fuse	3.15 A (slow-blow, internal)
Permissible backup fuse	B6 B10 B16
Recommended breaker for input protection	6 A ... 16 A (Characteristics B, C, D, K)

AC operation

Nominal input voltage range	100 V AC ... 240 V AC
Input voltage range	85 V AC ... 264 V AC
Voltage type of supply voltage	AC

Output data

MINI-DC-UPS/12DC/4 - Uninterruptible power supply



2866598

<https://www.phoenixcontact.com/in/products/2866598>

Efficiency	> 82 %
Nominal output voltage	12 V DC (AC input voltage available: 10 to 16 V DC, AC input voltage not available: 13.6 to 9.6 V DC)
Setting range of the output voltage (U_{Set})	10 V DC ... 16 V DC (AC input voltage available, AC input voltage not available: Output voltage depending on the battery voltage: 13.6 V DC ... 9.6 V DC)
Nominal output current (I_N)	4 A
Output current limit	max. 7 A
Bridging time	1200 s
Derating	60 °C ... 70 °C (2.5%/K)
Feedback voltage resistance	35 V DC
Protection against overvoltage at the output (OVP)	< 35 V DC
Max. capacitive load	unlimited
Control deviation	< 1 % (change in load, static 10 % ... 90 %)
Residual ripple	< 50 mV _{PP}
Output power	48 W
Peak switching voltages nominal load	< 100 mV _{PP}
Maximum no-load power dissipation	3.8 W
Power loss nominal load max.	10.5 W
Power dissipation battery operation	2.9 W
Power dissipation	1.6 W 10.5 W 2.6 W
Rise time	< 100 ms
Connection in parallel	yes
Connection in series	No

Mains operation

Nominal output voltage	12 V DC
Output voltage range	22.5 V DC ... 29.5 V DC
Nominal output current (I_N)	4 A

Battery operation

Nominal output voltage	12 V DC
Output voltage range	19.2 V DC ... 27.6 V DC ($U_{OUT} = U_{BAT} - 0,5 \text{ V DC}$)
Nominal output current (I_N)	4 A

Signal

Continuous load current	≤ 20 mA
-------------------------	---------

Signal: Alarm

Output description	Relay output
Maximum switching voltage	≤ 12 V
Output voltage	12 V
Continuous load current	≤ 200 mA

Signal: Battery charge

MINI-DC-UPS/12DC/4 - Uninterruptible power supply



2866598

<https://www.phoenixcontact.com/in/products/2866598>

Output description	Relay output
Maximum switching voltage	≤ 12 V
Output voltage	12 V
Continuous load current	≤ 200 mA

Signal: Battery mode

Output description	Relay output
Maximum switching voltage	≤ 12 V
Output voltage	12 V
Continuous load current	≤ 200 mA

Energy storage

Charging current	1 A
Memory medium	external, rechargeable battery 1.6 Ah / 2.6 Ah
IQ technology	no
Network management	No

Connection data

Input

Connection method	Pluggable COMBICON screw connections
Conductor cross section, rigid min.	0.2 mm ²
Conductor cross section, rigid max.	2.5 mm ²
Conductor cross section flexible min.	0.2 mm ²
Conductor cross section flexible max.	2.5 mm ²
Conductor cross section AWG min.	24
Conductor cross section AWG max.	12
Stripping length	8 mm
Screw thread	M3
Tightening torque, min	0.5 Nm
Tightening torque max	0.6 Nm

Output

Connection method	Pluggable COMBICON screw connections
Conductor cross section, rigid min.	0.2 mm ²
Conductor cross section, rigid max.	2.5 mm ²
Conductor cross section flexible min.	0.2 mm ²
Conductor cross section flexible max.	2.5 mm ²
Conductor cross section AWG min.	24
Conductor cross section AWG max.	12
Stripping length	8 mm
Screw thread	M3
Tightening torque, min	0.5 Nm
Tightening torque max	0.6 Nm

Signal

MINI-DC-UPS/12DC/4 - Uninterruptible power supply



2866598

<https://www.phoenixcontact.com/in/products/2866598>

Conductor cross section, rigid min.	0.2 mm ²
Conductor cross section, rigid max.	2.5 mm ²
Conductor cross section flexible min.	0.2 mm ²
Conductor cross section flexible max.	2.5 mm ²
Conductor cross section AWG min.	24
Conductor cross section AWG max.	12
Screw thread	M3
Tightening torque, min	0.5 Nm
Tightening torque max	0.6 Nm

Signaling

Types of signaling	LED
--------------------	-----

Signal output

Status display	LED "Power Good", green
Note on status display	Buffer module is loaded: LED ON

Signal output: Alarm

Status display	LED red
Note on status display	Malfunction/alarm: LED permanently lit

Signal output: Battery charge

Status display	LED flashing yellow
Note on status display	Battery charge/battery is being charged: LED flashing

Signal output: Battery mode

Status display	Yellow LED
Note on status display	Battery mode/buffer mode: LED permanently lit

Dimensions

Width	67.5 mm
Height	99 mm
Depth	107 mm

Installation dimensions

Installation distance right/left	0 mm / 0 mm
Installation distance top/bottom	30 mm / 30 mm

Material specifications

Color	green
Housing material	Plastic
Type of housing	Polyamide PA, color: green

Environmental and real-life conditions

Ambient conditions

Degree of protection	IP20
----------------------	------

MINI-DC-UPS/12DC/4 - Uninterruptible power supply



2866598

<https://www.phoenixcontact.com/in/products/2866598>

Ambient temperature (operation)	-25 °C ... 70 °C (> 60 °C Derating: 2,5 %/K)
Ambient temperature (storage/transport)	-40 °C ... 80 °C
Climatic class	3K3 (in acc. with EN 60721)
Max. permissible relative humidity (operation)	95 % (at 25 °C, non-condensing)
Shock	18 ms, 30g, in each space direction (according to IEC 60068-2-27)
Vibration (operation)	< 15 Hz, amplitude ±2.5 mm (according to IEC 60068-2-6) 15 Hz ... 150 Hz, 2.3g, 90 min.

Approvals

UL approvals	UL Listed UL 508
	UL/C-UL Recognized UL 60950-1
	UL ANSI/ISA-12.12.01 Class I, Division 2, Groups A, B, C, D (Hazardous Location)

EMC data

Low Voltage Directive	Conformance with Low Voltage Directive 2014/35/EC
EMC requirements for noise emission	EN 61000-6-3
	EN 61000-6-4
EMC requirements for noise immunity	EN 61000-6-1
	EN 61000-6-2
Electromagnetic compatibility	Conformance with EMC Directive 2014/30/EU
Noise emission	EN 55011 (EN 55022)

Electrostatic discharge

Standards/regulations	EN 61000-4-2
Housing	Level 3

Electrostatic discharge

Contact discharge	6 kV
Discharge in air	8 kV
Comments	Criterion B

Electromagnetic HF field

Standards/regulations	EN 61000-4-3
-----------------------	--------------

Electromagnetic HF field

Frequency range	80 MHz ... 2 GHz
Test field strength	10 V/m
Comments	Criterion A

Fast transients (burst)

Standards/regulations	EN 61000-4-4
-----------------------	--------------

Fast transients (burst)

Input	4 kV (level 4 - asymmetrical: conductor to ground)
Output	2 kV (level 3 - asymmetrical: conductor to ground)

MINI-DC-UPS/12DC/4 - Uninterruptible power supply



2866598

<https://www.phoenixcontact.com/in/products/2866598>

Signal	1 kV (level 2 - asymmetrical: conductor to ground)
Comments	Criterion B

Surge voltage load (surge)

Standards/regulations	EN 61000-4-5
-----------------------	--------------

Conducted interference

Standards/regulations	EN 61000-4-6
-----------------------	--------------

Conducted interference

I/O/S	Level 3
Frequency range	10 kHz ... 80 MHz
Comments	Criterion A
Voltage	10 V

Voltage dips

Standards/regulations	EN 61000-4-11
-----------------------	---------------

Emitted interference

Standards/regulations	EN 61000-6-3
Radio interference voltage in acc. with EN 55011	EN 55011 (EN 55022) Class B, area of application: Industry and residential
Emitted radio interference in acc. with EN 55011	EN 55011 (EN 55022) Class B, area of application: Industry and residential

Standards and regulations

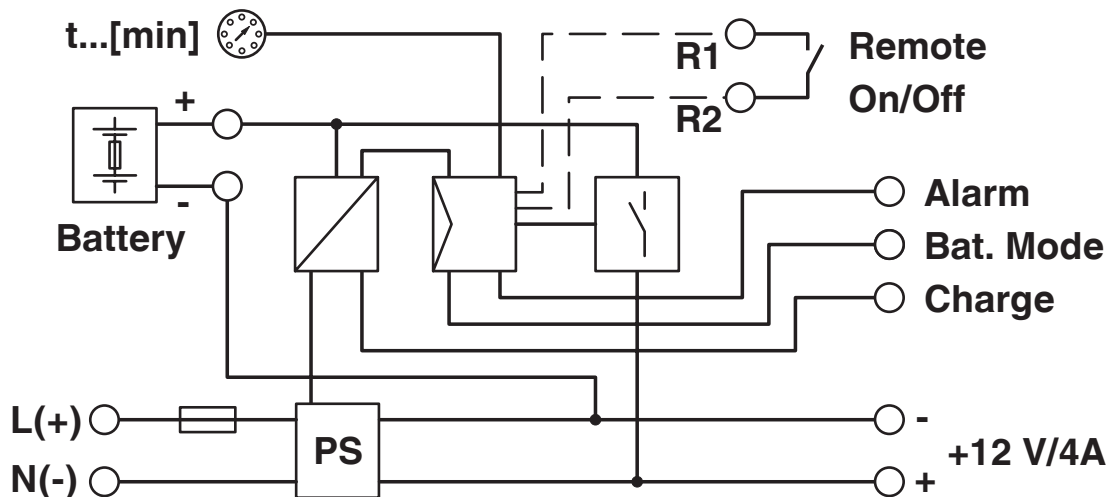
Rail applications	EN 50121-4
Standard – Electronic equipment for use in electrical power installations and their assembly into electrical power installations	EN 50178/VDE 0160 (PELV)
Standard - Electrical safety	EN 60950-1/VDE 0805 (SELV)
	EN 61558-2-17
Standard – Protection against shock currents, basic requirements for protective separation in electrical equipment	EN 50178
Standard – Safety extra-low voltage	EN 60950-1 (SELV)
	EN 60204 (PELV)
Standard - Safe isolation	DIN VDE 0100-410

Mounting

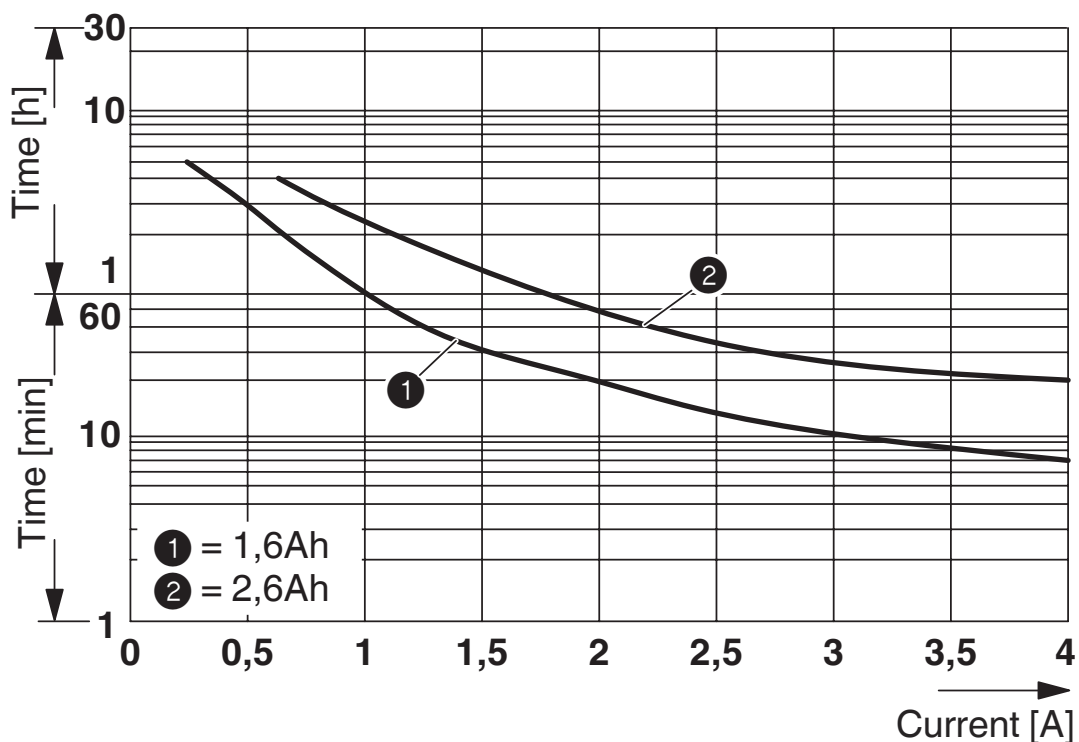
Mounting type	DIN rail mounting
Assembly instructions	alignable: horizontally 0 mm, vertically 50 mm
Mounting position	horizontal DIN rail NS 35, EN 60715

Drawings

Block diagram



Diagram



MINI-DC-UPS/12DC/4 - Uninterruptible power supply



2866598

<https://www.phoenixcontact.com/in/products/2866598>

Approvals



cUL Recognized
Approval ID: FILE E 211944



UL Recognized
Approval ID: FILE E 211944



EAC
Approval ID: EAC-Zulassung



EAC
Approval ID: RU S-DE.BL08.W.00764



UL Listed
Approval ID: FILE E 123528



EAC
Approval ID: RU-DE.B.00184/20



cUL Listed
Approval ID: FILE E 199827



UL Listed
Approval ID: FILE E 199827

MINI-DC-UPS/12DC/4 - Uninterruptible power supply



2866598

<https://www.phoenixcontact.com/in/products/2866598>

Classifications

ECLASS

ECLASS-11.0	27040705
ECLASS-13.0	27040705
ECLASS-12.0	27040705

ETIM

ETIM 8.0	EC000382
----------	----------

UNSPSC

UNSPSC 21.0	39121000
-------------	----------

MINI-DC-UPS/12DC/4 - Uninterruptible power supply



2866598

<https://www.phoenixcontact.com/in/products/2866598>

Environmental Product Compliance

REACH SVHC	Lead 7439-92-1
China RoHS	Environmentally Friendly Use Period = 25;
	For information on hazardous substances, refer to the manufacturer's declaration available under "Downloads"

MINI-DC-UPS/12DC/4 - Uninterruptible power supply



2866598

<https://www.phoenixcontact.com/in/products/2866598>

Accessories

MINI-BAT/12DC/1.6AH - Energy storage

2866572

<https://www.phoenixcontact.com/in/products/2866572>



Energy storage device, lead AGM, VRLA technology, 12 V DC, 1.6 Ah.

MINI-BAT/12DC/2.6AH - Energy storage

2866569

<https://www.phoenixcontact.com/in/products/2866569>



Energy storage device, lead AGM, VRLA technology, 12 V DC, 2.4 Ah.

Phoenix Contact 2023 © - all rights reserved

<https://www.phoenixcontact.com>

PHOENIX CONTACT (I) Pvt. Ltd.

A-58/2, Okhla Industrial Area, Phase - II, New Delhi-110 020

+91.1275.71420

info@phoenixcontact.co.in