

EMD-FL-V-300 - Monitoring relay



2866048

<https://www.phoenixcontact.com/in/products/2866048>

Please be informed that the data shown in this PDF document is generated from our Online Catalog. Please find the complete data in the user documentation. Our General Terms of Use for Downloads are valid.



Monitoring relay for monitoring 1-phase voltages of 0...300 V AC/DC, overvoltage/undervoltage or window, error memory, wide range power supply unit, 2 changeover contacts

Product Description

Increasingly higher demands are being placed on safety and system availability - across all sectors. Processes are becoming more and more complex, not only in mechanical engineering and the chemical industry, but also in plant and automation technology. Demands on power engineering are also increasing constantly.

Error-free and therefore cost-effective operation can only be achieved through continuous monitoring of important network and system parameters. Electronic monitoring relays in the EMD series are available for a wide range of monitoring tasks to avoid the consequences of errors or to keep them within limits.

The operating states are indicated using colored LEDs, errors that may occur can be sent to a control system via a floating contact or can shut down a part of the system. Some device versions are equipped with startup and response delays in order to briefly tolerate measured values outside the set monitoring range.

Your advantages

- Adjustable via potentiometer on the front
- Variable supply voltage range
- Separately adjustable startup and response delays

Commercial Data

Item number	2866048
Packing unit	1 pc
Minimum order quantity	1 pc
Sales Key	CK4
Product Key	CK4111
Catalog Page	Page 251 (C-5-2019)
GTIN	4017918975012
Weight per Piece (including packing)	164.8 g
Weight per Piece (excluding packing)	164 g
Customs tariff number	85364900
Country of origin	AT

EMD-FL-V-300 - Monitoring relay



2866048

<https://www.phoenixcontact.com/in/products/2866048>

Technical Data

Notes

Utilization restriction

EMC note	EMC: class A product, see manufacturer's declaration in the download area
----------	---

Product properties

Product type	Voltage monitoring relay
Operating mode	100% operating factor
Mechanical service life	approx. 2×10^7 cycles

Insulation characteristics

Insulation	Basic insulation
------------	------------------

Insulation characteristics

Insulation	Basic insulation
Overvoltage category	III
Pollution degree	2

Electrical properties

Service life electrical	2×10^5 cycles at ohmic load, 1000 VA
Maximum power dissipation for nominal condition	1 W
Mains type	1-phase
Rated insulation voltage	300 V
Rated surge voltage	4 kV

Supply

Supply voltage range	24 V AC ... 240 V AC -15 % ... +10 % 24 V DC ... 240 V DC -20 % ... +25 %
Type of supply voltage	AC/DC
Nominal power consumption	4.5 VA (1.5 W)

Input data

Input name	Measuring input
Measured value	DC, AC sine
Protection	≤ 20 A
Input voltage range	0 V ... 30 V AC/DC (connection terminal blocks: U1 and GND) 0 V ... 60 V AC/DC (connection terminal blocks: U2 and GND) 0 V ... 300 V AC/DC (connection terminal blocks: U3 and GND)
Maximum input voltage	$100 V_{rms}$ (connection terminal blocks: U1 and GND) $150 V_{rms}$ (connection terminal blocks: U2 and GND) $440 V_{rms}$ (connection terminal blocks: U3 and GND)
Input resistance of voltage input	47 k Ω (connection terminal blocks: U1 and GND) 100 k Ω (connection terminal blocks: U2 and GND)

EMD-FL-V-300 - Monitoring relay



2866048

<https://www.phoenixcontact.com/in/products/2866048>

	470 k Ω (connection terminal blocks: U3 and GND)
Frequency range	48 Hz ... 400 Hz
Maximum temperature coefficient	< 0.1 %/K
Setting range for response delay	0.1 s ... 10 s
Setting range for starting delay	0 s ... 10 s
Min. setting range	5 % ... 95 % (From U_N)
Max. setting range	10 % ... 100 % (From U_N)
Function	Undervoltage Overvoltage Window Error memory
Basic accuracy	± 5 % (of scale end value)
Setting accuracy	≤ 5 % (of scale end value)
Repeat accuracy	≤ 2 %
Recovery time	500 ms

Output data

Switching

Contact type	2 floating changeover contacts
Maximum switching voltage	250 V AC (in acc. with IEC 60664-1)
Interrupting rating (ohmic load) max.	750 VA (3 A/250 V AC, module aligned, ≤ 5 mm spacing) 1250 VA (5 A/250 V AC, module not aligned, ≥ 5 mm spacing)
Output fuse	5 A (fast-blow)

Connection data

Connection method	Screw connection
Stripping length	8 mm
Conductor cross section rigid	0.5 mm ² ... 2.5 mm ²
Conductor cross section flexible	0.25 mm ² ... 2.5 mm ²
Conductor cross section AWG	20 ... 14

Dimensions

Width	22.5 mm
Height	90 mm
Depth	113 mm

Material specifications

Housing insulation material	Polyamide PA, self-extinguishing
-----------------------------	----------------------------------

Environmental and real-life conditions

Ambient conditions

Degree of protection (Housing)	IP40 (Housing)
Degree of protection (Connection terminal blocks)	IP20 (Connection terminal blocks)
Ambient temperature (operation)	-25 °C ... 55 °C

EMD-FL-V-300 - Monitoring relay



2866048

<https://www.phoenixcontact.com/in/products/2866048>

	-25 °C ... 40 °C (corresponds to UL 508)
Ambient temperature (storage/transport)	-25 °C ... 70 °C
Climatic class	3K3 (in acc. with EN 60721)
Permissible humidity (operation)	15 % ... 85 %

Approvals

CE

Certificate	CE-compliant
-------------	--------------

UL, USA/Canada

Identification	UL/C-UL Listed UL 508
----------------	-----------------------

EMC data

Low Voltage Directive	Conformance with Low Voltage Directive
Noise immunity	EN 61000-6-2
Electromagnetic compatibility	Conformance with EMC directive
Noise emission	EN 61000-6-4

Standards and regulations

Standards/regulations	EN 50178
-----------------------	----------

Mounting

Mounting type	DIN rail mounting
Assembly instructions	on standard DIN rail NS 35 in accordance with EN 60715
Mounting position	any

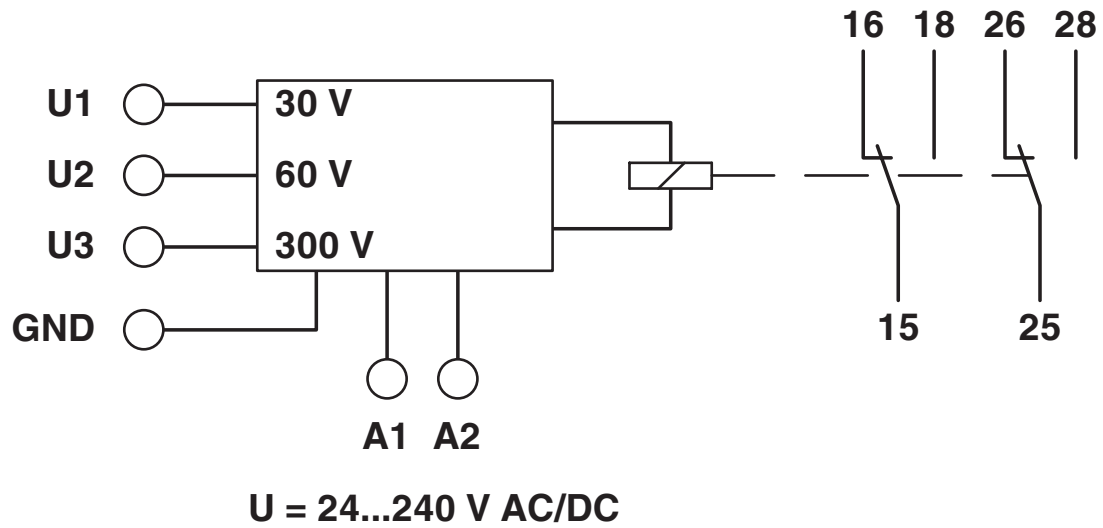
EMD-FL-V-300 - Monitoring relay

2866048

<https://www.phoenixcontact.com/in/products/2866048>

Drawings

Block diagram



EMD-FL-V-300 - Monitoring relay



2866048

<https://www.phoenixcontact.com/in/products/2866048>

Approvals



EAC

Approval ID: TR_TS_D_00573_c



EAC

Approval ID: RU*C-DE.*08.B.00010



UL Listed

Approval ID: FILE E 172140



cUL Listed

Approval ID: FILE E 172140

EMD-FL-V-300 - Monitoring relay



2866048

<https://www.phoenixcontact.com/in/products/2866048>

Classifications

ECLASS

ECLASS-11.0	27371801
ECLASS-12.0	27371801
ECLASS-13.0	27371801

ETIM

ETIM 8.0	EC001438
----------	----------

UNSPSC

UNSPSC 21.0	41113600
-------------	----------

EMD-FL-V-300 - Monitoring relay



2866048

<https://www.phoenixcontact.com/in/products/2866048>

Environmental Product Compliance

China RoHS	Environmentally friendly use period: unlimited = EFUP-e
	No hazardous substances above threshold values

Phoenix Contact 2023 © - all rights reserved
<https://www.phoenixcontact.com>

PHOENIX CONTACT (I) Pvt. Ltd.
A-58/2, Okhla Industrial Area, Phase - II, New Delhi-110 020

+91.1275.71420
info@phoenixcontact.co.in