

IB IL 24/230 DOR1/W-PC-PAC - Inline terminal



2862178

<https://www.phoenixcontact.com/in/products/2862178>

Please be informed that the data shown in this PDF document is generated from our online catalog. Please find the complete data in the user documentation. Our general terms of use for downloads are valid.



Inline, Relay terminal, Relay output: 1 (floating contacts), 24 V DC, 230 V AC, for switching inductive and capacitive loads, transmission speed in the local bus: 500 kbps, degree of protection: IP20, including Inline connector and labeling field

Product description

The terminal is designed for use within an Inline station. It has one floating SPDT relay contact. The terminal is suitable for switching inductive and capacitive loads. The terminal can be used in the PELV area and in the AC area. For switching voltages below 12 V or currents below 100 mA, please use the IB IL 24/230 DOR 1/W-PAC: terminal.

Your advantages

- Safe isolation in acc. with EN 50178
- Floating connection for one actuator
- Nominal current at the output: 2.2 A
- Total current of the terminal: 2.6 A

Commercial data

Item number	2862178
Packing unit	1 pc
Minimum order quantity	1 pc
Note	Made to order (non-returnable)
Sales key	DRI
Product key	DRI133
Catalog page	Page 133 (C-6-2019)
GTIN	4017918894665
Weight per piece (including packing)	79.7 g
Weight per piece (excluding packing)	46 g
Customs tariff number	85389099
Country of origin	DE

Technical data

Dimensions

Dimensional drawing	
Width	12.2 mm
Height	119.8 mm
Depth	71.5 mm
Note on dimensions	Housing dimensions

Material specifications

Color	gray
-------	------

Interfaces

Inline local bus

No. of channels	2
Connection method	Inline data jumper
Transmission speed	500 kbps

System properties

Module

ID code (dec.)	189
ID code (hex)	BD
Length code (hex)	C2
Length code (dec)	194
Process data channel	2 bit
Input address area	0 Byte
Output address area	2 bit (Only bit0 is occupied)
Register length	2 bit
Required parameter data	3 Byte
Required configuration data	4 Byte

Output data

Relay

Number of outputs	1 (floating contacts)
Connection method	Spring-cage connection
	max. 250 V DC

2862178

<https://www.phoenixcontact.com/in/products/2862178>

Switching voltage	min. 5 V DC
	max. 253 V AC
Switching current	max. 2.6 A (At 30 V DC)
	max. 0.15 A (for 250 V DC)
Switching capacity	max. 750 VA (see to derating)
Limiting continuous current	2.6 A
Mechanical service life	2x 10 ⁷ cycles

Product properties

Product type	I/O component
Product family	Inline
Type	modular
Scope of delivery	including Inline connector and labeling field
No. of channels	1
Operating mode	Process data mode with 2 bits
Special properties	for switching inductive and capacitive loads

Data management status

Article revision	05
------------------	----

Electrical properties

Potentials: Communications power (U_L)

Supply voltage	7.5 V DC (via voltage jumper)
Current draw	max. 60 mA
Power consumption	max. 0.45 W

Electrical isolation/isolation of the voltage ranges

Test voltage: Relay contact / Bus logics	4 kV, 50 Hz, 1 min.
Test voltage: Contact/contact	1 kV, 50 Hz, 1 min.
Test voltage: Contact / PE	1 kV, 50 Hz, 1 min.

Connection data

Connection technology

Connection name	Inline connector
-----------------	------------------

Conductor connection

Connection method	Spring-cage connection
Conductor cross section rigid	0.08 mm ² ... 1.5 mm ²
Conductor cross section flexible	0.08 mm ² ... 1.5 mm ²
Conductor cross section AWG	28 ... 16
Stripping length	8 mm

Inline connector

Connection method	Spring-cage connection
Conductor cross section, rigid	0.08 mm ² ... 1.5 mm ²

IB IL 24/230 DOR1/W-PC-PAC - Inline terminal



2862178

<https://www.phoenixcontact.com/in/products/2862178>

Conductor cross section, flexible	0.08 mm ² ... 1.5 mm ²
Conductor cross section AWG	28 ... 16
Stripping length	8 mm

Environmental and real-life conditions

Ambient conditions

Ambient temperature (operation)	-25 °C ... 55 °C
Degree of protection	IP20
Air pressure (operation)	70 kPa ... 106 kPa (up to 3000 m above sea level)
Air pressure (storage/transport)	70 kPa ... 106 kPa (up to 3000 m above sea level)
Ambient temperature (storage/transport)	-25 °C ... 85 °C
Permissible humidity (operation)	10 % ... 95 % (non-condensing)
Permissible humidity (storage/transport)	10 % ... 95 % (non-condensing)

Standards and regulations

Protection class	I (IEC 61140, EN 61140, VDE 0140-1)
------------------	-------------------------------------

Mounting

Mounting type	DIN rail mounting
---------------	-------------------

IB IL 24/230 DOR1/W-PC-PAC - Inline terminal

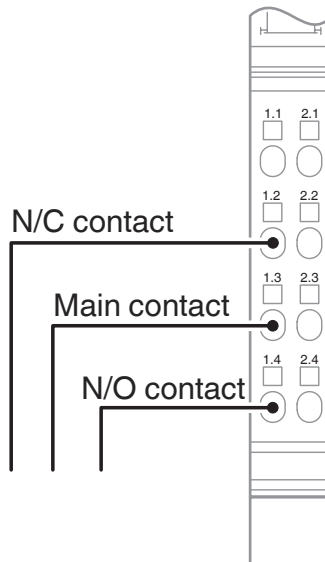


2862178

<https://www.phoenixcontact.com/in/products/2862178>

Drawings

Connection diagram



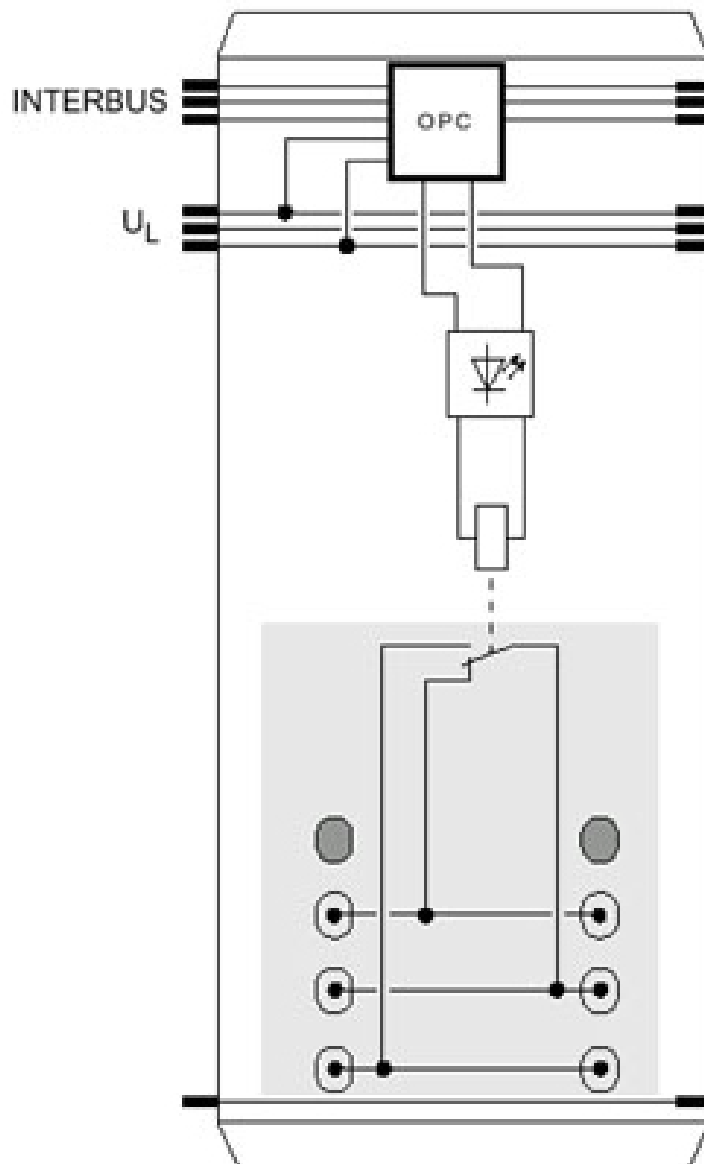
IB IL 24/230 DOR1/W-PC-PAC - Inline terminal

2862178

<https://www.phoenixcontact.com/in/products/2862178>



Block diagram

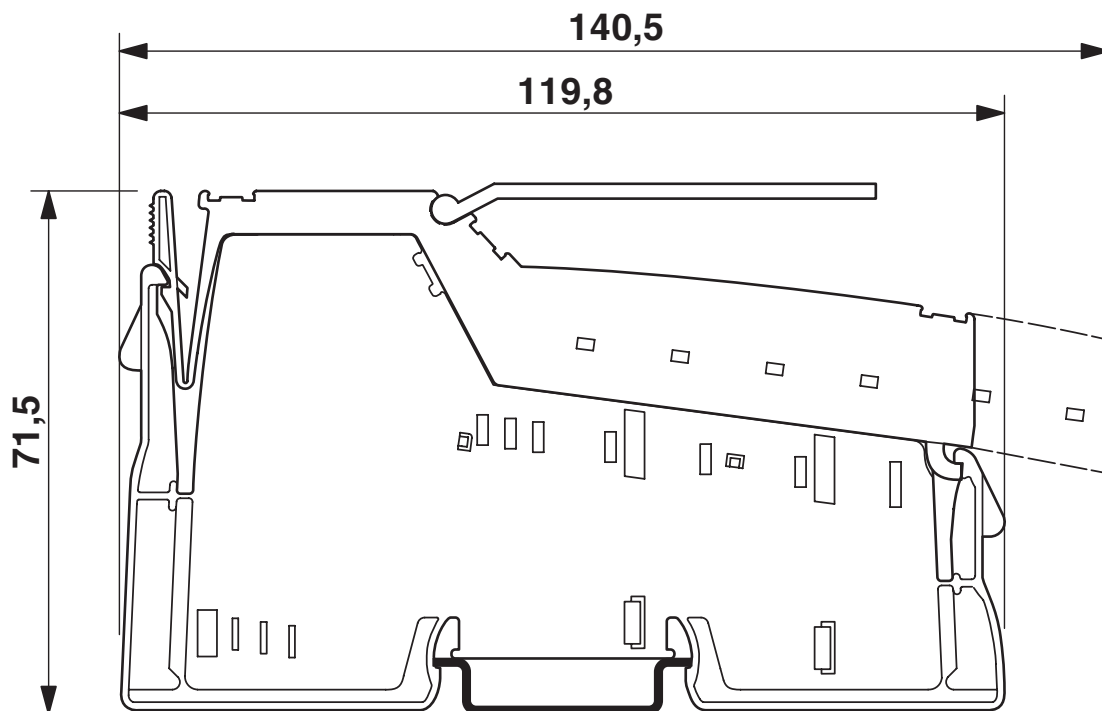


IB IL 24/230 DOR1/W-PC-PAC - Inline terminal

2862178

<https://www.phoenixcontact.com/in/products/2862178>

Dimensional drawing



2862178

<https://www.phoenixcontact.com/in/products/2862178>

Classifications

ECLASS

ECLASS-11.0

27242604

ETIM

ETIM 8.0

EC001599

UNSPSC

UNSPSC 21.0

32151600

2862178

<https://www.phoenixcontact.com/in/products/2862178>

Environmental product compliance

EU RoHS

Fulfills EU RoHS substance requirements	Yes
Exemption	7(a), 7(c)-I

China RoHS

Environment friendly use period (EFUP)	EFUP-E
	No hazardous substances above the limits

EU REACH SVHC

REACH candidate substance (CAS No.)	Lead(CAS: 7439-92-1)
-------------------------------------	----------------------

IB IL 24/230 DOR1/W-PC-PAC - Inline terminal

2862178

<https://www.phoenixcontact.com/in/products/2862178>



Accessories

IB IL SCN-8-AC-REL - Inline connector

2740290

<https://www.phoenixcontact.com/in/products/2740290>



Plug, for digital 1, 2 or 8-channel Inline terminals with AC voltage

IB IL FIELD 2 - Marking field

2727501

<https://www.phoenixcontact.com/in/products/2727501>



Marking field, width: 12.2 mm

IB IL 24/230 DOR1/W-PC-PAC - Inline terminal



2862178

<https://www.phoenixcontact.com/in/products/2862178>

ESL 62X10 - Insert strip

0809492

<https://www.phoenixcontact.com/in/products/0809492>

Insert strip, Sheet, white, unlabeled, can be labeled with: Office printing systems, CMS-P1-PLOTTER, mounting type: insert, lettering field size: 62 x 10 mm, Number of individual labels: 72



IB IL DOR LV-SET-PAC - Disconnect terminal block

2861645

<https://www.phoenixcontact.com/in/products/2861645>

Inline distance terminal, complete with accessories



IB IL 24/230 DOR1/W-PC-PAC - Inline terminal

2862178

<https://www.phoenixcontact.com/in/products/2862178>



IB IL DOR LV-PLSET - Connector set

2742667

<https://www.phoenixcontact.com/in/products/2742667>

Connector set for distance terminal



Phoenix Contact 2024 © - all rights reserved

<https://www.phoenixcontact.com>

PHOENIX CONTACT (I) Pvt. Ltd.

A-58/2, Okhla Industrial Area, Phase - II, New Delhi-110 020

+91.1275.71420

info@phoenixcontact.co.in