

MINI MCR-BL-I-2I - Signal duplicator



2810829

<https://www.phoenixcontact.com/in/products/2810829>

Please be informed that the data shown in this PDF document is generated from our Online Catalog. Please find the complete data in the user documentation. Our General Terms of Use for Downloads are valid.



MCR 4-way signal duplicator for electrical isolation and duplication of analog signals with screw connection, input signal: 4 mA ... 20 mA, output signal: 2 x 4 mA ... 20 mA

Commercial Data

Item number	2810829
Packing unit	1 pc
Minimum order quantity	1 pc
Sales Key	CK1
Product Key	CK1211
GTIN	4046356672573
Weight per Piece (including packing)	68.7 g
Weight per Piece (excluding packing)	63 g
Customs tariff number	85437090
Country of origin	DE

MINI MCR-BL-I-2I - Signal duplicator



2810829

<https://www.phoenixcontact.com/in/products/2810829>

Technical Data

Notes

Utilization restriction

EMC note	EMC: class A product, see manufacturer's declaration in the download area
----------	---

Product properties

Product type	Signal duplicator
Product family	MINI Analog
No. of channels	2
Configuration	INTERBUS

Insulation characteristics

Overvoltage category	II
Pollution degree	2

System properties

Functionality

Configuration	INTERBUS
---------------	----------

Electrical properties

No. of channels	2
Electrical isolation	4-way isolation
Limit frequency (3 dB)	approx. 35 Hz
Protective circuit	Transient protection
Step response (10-90%)	500 ms
Maximum temperature coefficient	< 0.01 %/K
Temperature coefficient, typical	< 0.004 %/K
Maximum transmission error	≤ 0.2 % (of final value)
Transmission error, typical	< 0.1 %

Electrical isolation Input/output/power supply

Rated insulation voltage	50 V AC/DC
Test voltage	1.5 kV AC (50 Hz, 60 s)
Insulation	Basic insulation in accordance with IEC/EN 61010

Supply

Nominal supply voltage	24 V DC ±10 %
Supply voltage range	19.2 V DC ... 30 V DC
Max. current consumption	< 30 mA
Power consumption	< 600 mW

Input data

MINI MCR-BL-I-2I - Signal duplicator

2810829

<https://www.phoenixcontact.com/in/products/2810829>

Signal: Current

Number of inputs	1
Configurable/programmable	no
Current input signal	4 mA ... 20 mA
Max. current input signal	50 mA
Input resistance current input	approx. 50 Ω

Output data

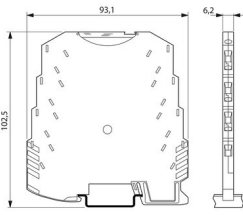
Signal: Current

Number of outputs	2
Non-load voltage	9 V
Current output signal	2x 4 mA ... 20 mA
Max. current output signal	20.5 mA
Load/output load current output	$\leq 250 \Omega$ (at 20 mA)
Ripple	$< 20 \text{ mV}_{PP}$ (at 250 Ω)

Connection data

Connection method	Screw connection
Stripping length	12 mm
Screw thread	M3
Conductor cross section rigid	0.2 mm ² ... 2.5 mm ²
Conductor cross section flexible	0.2 mm ² ... 2.5 mm ²
Conductor cross section AWG	26 ... 12

Dimensions

Dimensional drawing	
Width	6.2 mm
Height	93.1 mm
Depth	102.5 mm

Material specifications

Fire protection for rail vehicles (DIN EN 45545-2) R22	HL 1 - HL 2
Fire protection for rail vehicles (DIN EN 45545-2) R23	HL 1 - HL 2
Fire protection for rail vehicles (DIN EN 45545-2) R24	HL 1 - HL 2
Housing material	PBT

Environmental and real-life conditions

MINI MCR-BL-I-2I - Signal duplicator



2810829

<https://www.phoenixcontact.com/in/products/2810829>

Ambient conditions

Degree of protection	IP20
Ambient temperature (operation)	-10 °C ... 60 °C
Ambient temperature (storage/transport)	-20 °C ... 65 °C

Approvals

CE

Certificate	CE-compliant
-------------	--------------

UKCA

Certificate	UKCA-compliant
-------------	----------------

EMC data

Noise immunity	EN 61000-6-2:2005
Electromagnetic compatibility	Conformance with EMC directive
Noise emission	EN 61000-6-4

Electrostatic discharge

Comments	Safety measures must be taken to prevent electrostatic discharge.
----------	---

Standards and regulations

Electrical isolation	4-way isolation
----------------------	-----------------

Mounting

Mounting type	DIN rail mounting
Mounting position	any

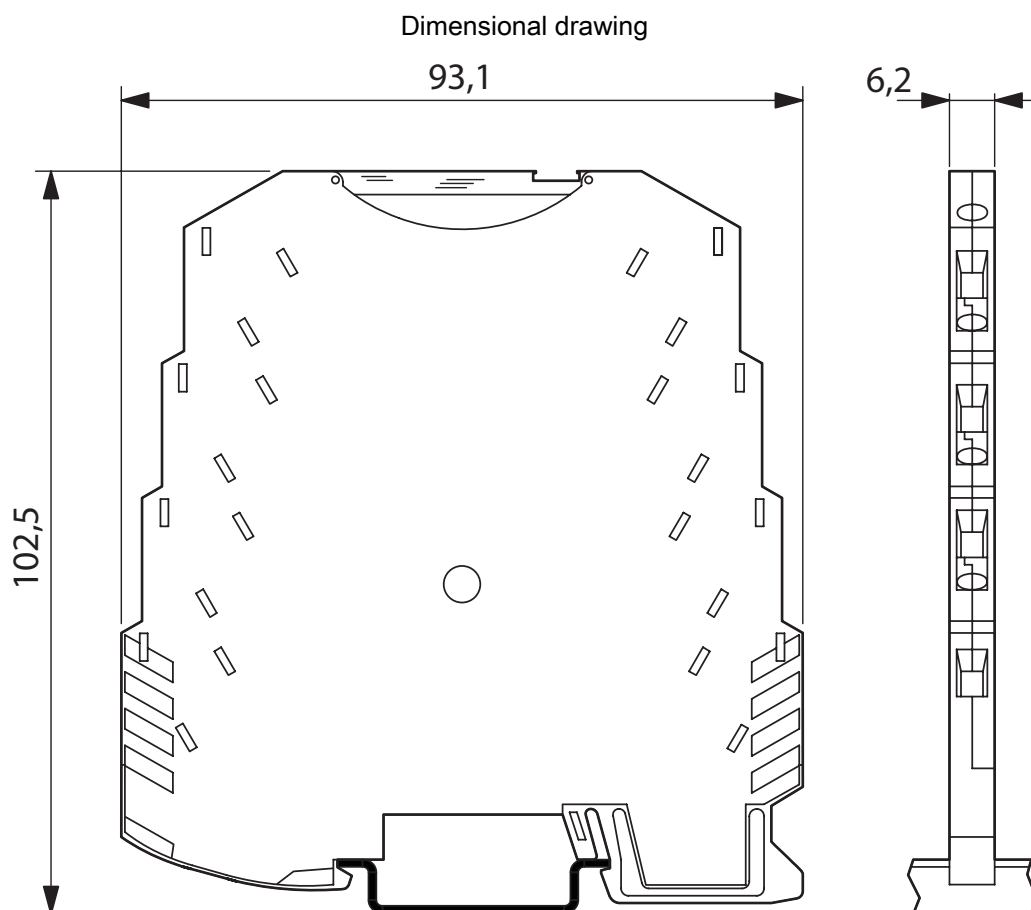
MINI MCR-BL-I-2I - Signal duplicator

2810829

<https://www.phoenixcontact.com/in/products/2810829>



Drawings

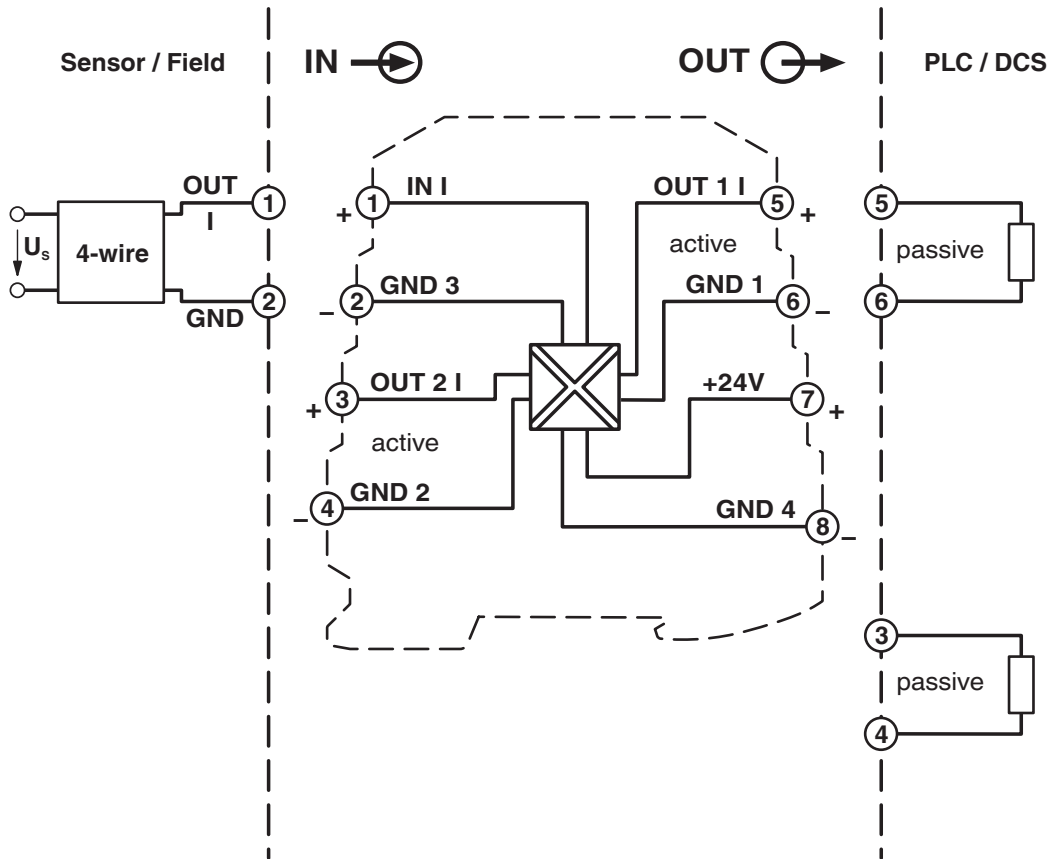


MINI MCR-BL-I-2I - Signal duplicator

2810829

<https://www.phoenixcontact.com/in/products/2810829>

Block diagram



MINI MCR-BL-I-2I - Signal duplicator

2810829

<https://www.phoenixcontact.com/in/products/2810829>



Classifications

ECLASS

ECLASS-11.0	27210120
ECLASS-12.0	27210120
ECLASS-13.0	27210120

ETIM

ETIM 8.0	EC002653
----------	----------

UNSPSC

UNSPSC 21.0	39121000
-------------	----------

MINI MCR-BL-I-2I - Signal duplicator

2810829

<https://www.phoenixcontact.com/in/products/2810829>



Environmental Product Compliance

REACH SVHC	Lead 7439-92-1
China RoHS	Environmentally Friendly Use Period = 50 years
	For information on hazardous substances, refer to the manufacturer's declaration available under "Downloads"

MINI MCR-BL-I-2I - Signal duplicator

2810829

<https://www.phoenixcontact.com/in/products/2810829>



Accessories

MINI MCR DKL - Transparent cover

2308111

<https://www.phoenixcontact.com/in/products/2308111>



Fold up transparent cover for MINI MCR modules with additional labeling option using insert strips and flat Zack marker strip 6.2 mm

MINI MCR-DKL-LABEL - Marking label

2810272

<https://www.phoenixcontact.com/in/products/2810272>



Label for extended marking of MINI MCR modules in connection with the MINI MCR-DKL

Phoenix Contact 2023 © - all rights reserved

<https://www.phoenixcontact.com>

PHOENIX CONTACT (I) Pvt. Ltd.

A-58/2, Okhla Industrial Area, Phase - II, New Delhi-110 020

+91.1275.71420

info@phoenixcontact.co.in