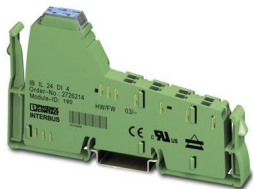


IB IL 24 DI 4 - Inline terminal

2726214

<https://www.phoenixcontact.com/in/products/2726214>

Please be informed that the data shown in this PDF document is generated from our online catalog. Please find the complete data in the user documentation. Our general terms of use for downloads are valid.



Inline digital input terminal, without accessories, 4 inputs, 24 V DC, 3-conductor connection technology

Product description

The terminal is designed for use within an Inline station. It is used to acquire digital signals.

Your advantages

- 4 digital inputs
- Connection of sensors in 2- and 3-conductor technology
- Maximum permissible load current per sensor: 250 mA
- Maximum permissible load current from the terminal: 1 A
- Diagnostic and status indicators

Commercial data

Item number	2726214
Packing unit	1 pc
Minimum order quantity	1 pc
Product key	DRI131
Catalog page	Page 63 (AX-2007)
GTIN	4017918168087
Weight per piece (including packing)	69.2 g
Weight per piece (excluding packing)	50.09 g
Country of origin	DE

Technical data

Product properties

Type	modular
No. of channels	4
Operating mode	Process data operation with 4 bits

System properties

Module

ID code (dec.)	190
ID code (hex)	BE
Length code (hex)	41
Length code (dec)	65
Process data channel	0 bit
Input address area	4 bit
Output address area	0 Byte
Register length	4 bit
Required parameter data	1 Byte

Electrical properties

Potentials: Communications power (U_L)

Supply voltage	7.5 V DC (via voltage jumper)
Current draw	max. 40 mA

Potentials: Segment circuit supply (U_S)

Supply voltage	24 V DC (via voltage jumper)
Supply voltage range	19.2 V DC ... 30 V DC (including all tolerances, including ripple)
Current draw	max. 1 A

Electrical isolation/isolation of the voltage ranges

Test voltage: 5 V supply, incoming remote bus/7.5 V supply (bus logics)	500 V AC, 50 Hz, 1 min.
Test voltage: 5 V supply, outgoing remote bus/7.5 V supply (bus logics)	500 V AC, 50 Hz, 1 min.
Test voltage: 7.5 V supply (bus logics)/24 V supply (I/O)	500 V AC, 50 Hz, 1 min.
Test voltage: 24 V supply (I/O) / functional ground	500 V AC, 50 Hz, 1 min.

Input data

Digital:

Input name	Digital inputs
Number of inputs	4 (EN 61131-2 type 1)
Connection method	Spring-cage connection
Connection technology	2-, 3-conductor
Input voltage	24 V DC (via voltage jumper)

IB IL 24 DI 4 - Inline terminal

2726214

<https://www.phoenixcontact.com/in/products/2726214>

Input voltage range "0" signal	-3 V DC ... 5 V DC
Input voltage range "1" signal	15 V DC ... 30 V DC
Nominal input current at U_{IN}	min. 3 mA
Typical response time	< 1 ms
Protective circuit	Short-circuit and overload protection

Connection data

Inline connector

Connection method	Spring-cage connection
Conductor cross section, rigid	0.08 mm ² ... 1.5 mm ²
Conductor cross section, flexible	0.08 mm ² ... 1.5 mm ²
Conductor cross section AWG	28 ... 16

Interfaces

Inline local bus

Connection method	Inline data jumper
Transmission speed	500 kbps

Dimensions

Dimensional drawing	
Width	12.2 mm
Height	119.8 mm
Depth	71.5 mm
Note on dimensions	Housing dimensions

Material specifications

Color	green
-------	-------

Environmental and real-life conditions

Ambient conditions

Ambient temperature (operation)	-25 °C ... 55 °C
Air pressure (operation)	70 kPa ... 106 kPa (up to 3000 m above sea level)
Air pressure (storage/transport)	70 kPa ... 106 kPa (up to 3000 m above sea level)
Ambient temperature (storage/transport)	-25 °C ... 85 °C
Permissible humidity (operation)	10 % ... 95 % (according to DIN EN 61131-2)
Permissible humidity (storage/transport)	10 % ... 95 % (according to DIN EN 61131-2)

Standards and regulations

IB IL 24 DI 4 - Inline terminal



2726214

<https://www.phoenixcontact.com/in/products/2726214>

Protection class	III (IEC 61140, EN 61140, VDE 0140-1)
------------------	---------------------------------------

Mounting

Mounting type	DIN rail mounting
---------------	-------------------

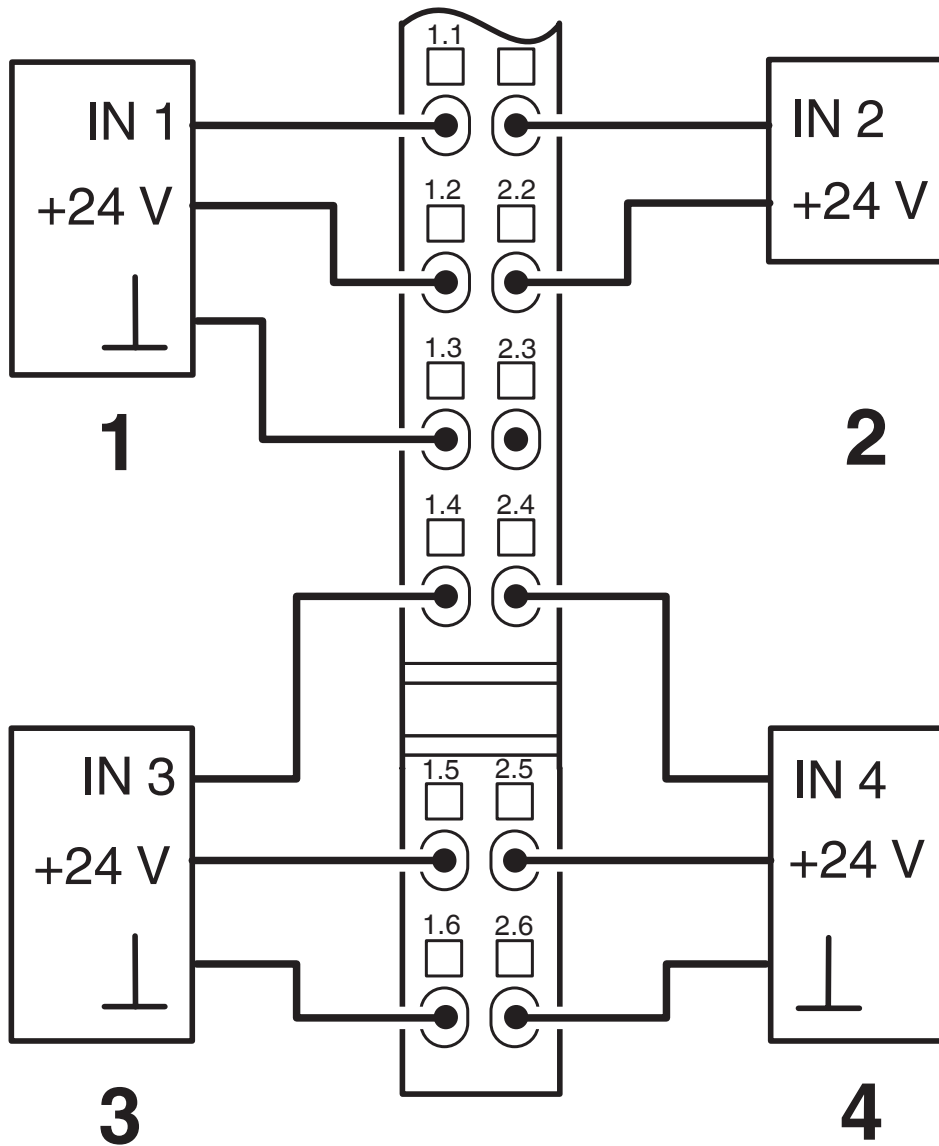
IB IL 24 DI 4 - Inline terminal

2726214

<https://www.phoenixcontact.com/in/products/2726214>

Drawings

Connection diagram



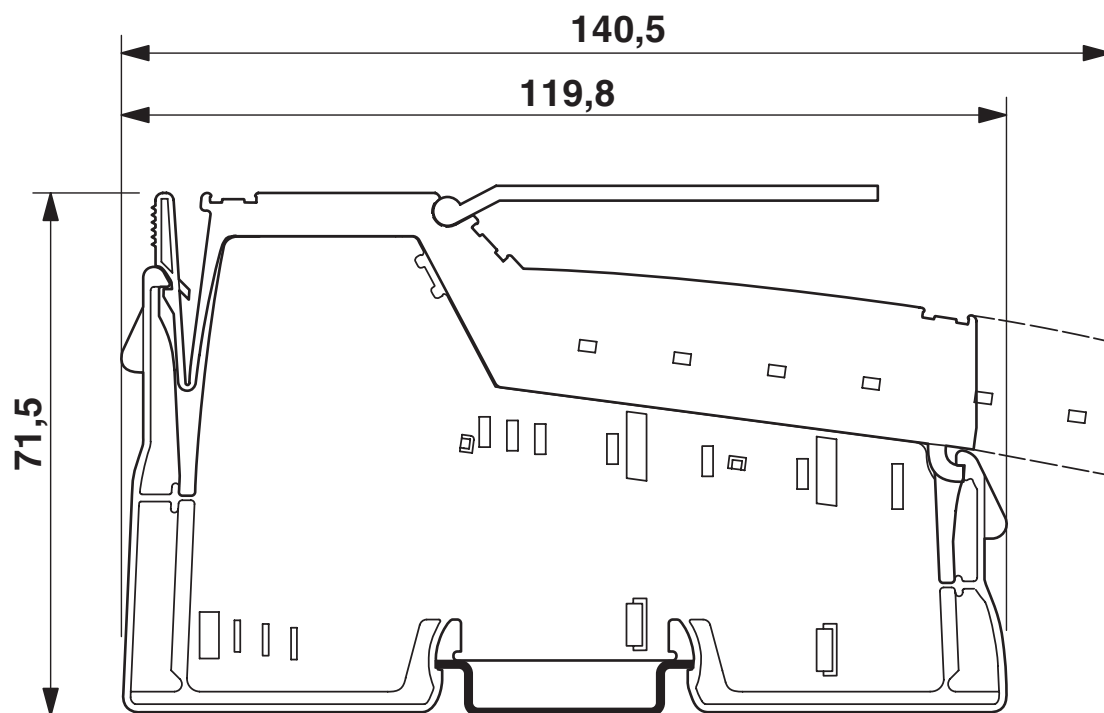
IB IL 24 DI 4 - Inline terminal

2726214

<https://www.phoenixcontact.com/in/products/2726214>



Dimensional drawing



IB IL 24 DI 4 - Inline terminal



2726214

<https://www.phoenixcontact.com/in/products/2726214>

Environmental product compliance

EU REACH SVHC

REACH candidate substance (CAS No.)	No substance above 0.1 wt%
-------------------------------------	----------------------------

IB IL 24 DI 4 - Inline terminal

2726214

<https://www.phoenixcontact.com/in/products/2726214>



Accessories

IB IL FIELD 2 - Marking field

2727501

<https://www.phoenixcontact.com/in/products/2727501>

Marking field, width: 12.2 mm



IB IL FIELD 8 - Marking field

2727515

<https://www.phoenixcontact.com/in/products/2727515>

Marking field, width: 48.8 mm



IB IL 24 DI 4 - Inline terminal

2726214

<https://www.phoenixcontact.com/in/products/2726214>

ESL 62X10 - Insert strip

0809492

<https://www.phoenixcontact.com/in/products/0809492>

Insert strip, Sheet, white, unlabeled, can be labeled with: Office printing systems, CMS-P1-PLOTTER, mounting type: insert, lettering field size: 62 x 10 mm, Number of individual labels: 72



ESL 62X46 - Insert strip

0809502

<https://www.phoenixcontact.com/in/products/0809502>

Insert strip, Sheet, white, unlabeled, can be labeled with: Office printing systems, CMS-P1-PLOTTER, mounting type: insert, lettering field size: 62 x 46 mm, Number of individual labels: 15



IB IL 24 DI 4 - Inline terminal

2726214

<https://www.phoenixcontact.com/in/products/2726214>



IB IL SCN-8 - Inline connector

2726337

<https://www.phoenixcontact.com/in/products/2726337>

Connector, for digital 1, 2 or 8-channel Inline terminals



IB IL SCN-8-CP - Inline connector

2727608

<https://www.phoenixcontact.com/in/products/2727608>

Inline connector, colored



IB IL 24 DI 4 - Inline terminal

2726214

<https://www.phoenixcontact.com/in/products/2726214>



ZB 6:UNBEDRUCKT - Zack marker strip

1051003

<https://www.phoenixcontact.com/in/products/1051003>



Zack marker strip, Strip, white, unlabeled, can be labeled with: PLOTMARK, CMS-P1-PLOTTER, mounting type: snapped, for terminal block width: 6.2 mm, lettering field size: 6.15 x 10.5 mm, Number of individual labels: 10

ZB 6/WH-100:UNBEDRUCKT - Zack marker strip

5060935

<https://www.phoenixcontact.com/in/products/5060935>



Zack marker strip, Strip, white, unlabeled, can be labeled with: PLOTMARK, CMS-P1-PLOTTER, mounting type: snapped, for terminal block width: 6.2 mm, lettering field size: 6.15 x 10.5 mm, Number of individual labels: 1000

IB IL 24 DI 4 - Inline terminal

2726214

<https://www.phoenixcontact.com/in/products/2726214>



ZB 6,QR:FORTL.ZAHLEN - Zack marker strip

1051029

<https://www.phoenixcontact.com/in/products/1051029>



Zack marker strip, Strip, white, labeled, can be labeled with: CMS-P1-PLOTTER, Printed vertically: consecutive numbers 1 ... 10, 11 ... 20, etc. up to 491 ... 500, mounting type: snapped, for terminal block width: 6.2 mm, lettering field size: 6.15 x 10.5 mm, Number of individual labels: 10

ZBFM 6/WH:UNBEDRUCKT - Flat zack marker sheet

0803618

<https://www.phoenixcontact.com/in/products/0803618>



Flat zack marker sheet, Sheet, white, unlabeled, can be labeled with: CMS-P1-PLOTTER, PLOTMARK, mounting type: snapped, for terminal block width: 6.2 mm, lettering field size: 5 x 5.5 mm, Number of individual labels: 100

IB IL 24 DI 4 - Inline terminal

2726214

<https://www.phoenixcontact.com/in/products/2726214>



B-STIFT - Marker pen

1051993

<https://www.phoenixcontact.com/in/products/1051993>



Marker pen, for manual labeling of unprinted Zack strips, smear-proof and waterproof, line thickness 0.5 mm

X-PEN 0,35 - Marker pen

0811228

<https://www.phoenixcontact.com/in/products/0811228>



Marker pen without ink cartridge, for manual labeling of markers, labeling extremely wipe-proof, line thickness 0.35 mm

Phoenix Contact 2024 © - all rights reserved

<https://www.phoenixcontact.com>

PHOENIX CONTACT (I) Pvt. Ltd.

A-58/2, Okhla Industrial Area, Phase - II, New Delhi-110 020

+91.1275.71420

info@phoenixcontact.co.in