

PSD-S ME T-P 45 - Mounting material



2700152

<https://www.phoenixcontact.com/in/products/2700152>

Please be informed that the data shown in this PDF document is generated from our online catalog. Please find the complete data in the user documentation. Our general terms of use for downloads are valid.

Tube, 45 mm long, Ø 25 mm, for direct tube mounting on the foldaway base



Commercial data

Item number	2700152
Packing unit	1 pc
Minimum order quantity	1 pc
Sales key	DRL
Product key	DRL117
Catalog page	Page 521 (C-6-2019)
GTIN	4046356491433
Weight per piece (including packing)	14.9 g
Weight per piece (excluding packing)	13.2 g
Customs tariff number	39269097
Country of origin	DE

PSD-S ME T-P 45 - Mounting material



2700152

<https://www.phoenixcontact.com/in/products/2700152>

Technical data

Notes

Note on application	Only for industrial use
---------------------	-------------------------

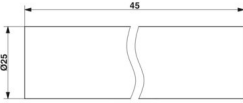
Product properties

Product type	Assembly element
--------------	------------------

Data management status

Article revision	00
------------------	----

Dimensions

Dimensional drawing	
Height	45 mm
Diameter	25 mm

Material specifications

Color	black
Material	PE

Environmental and real-life conditions

Ambient conditions

Ambient temperature (operation)	-30 °C ... 60 °C
---------------------------------	------------------

Mounting

Mounting type	Tube mounting
Assembly note	for foldaway base
Mounting position	any

PSD-S ME T-P 45 - Mounting material

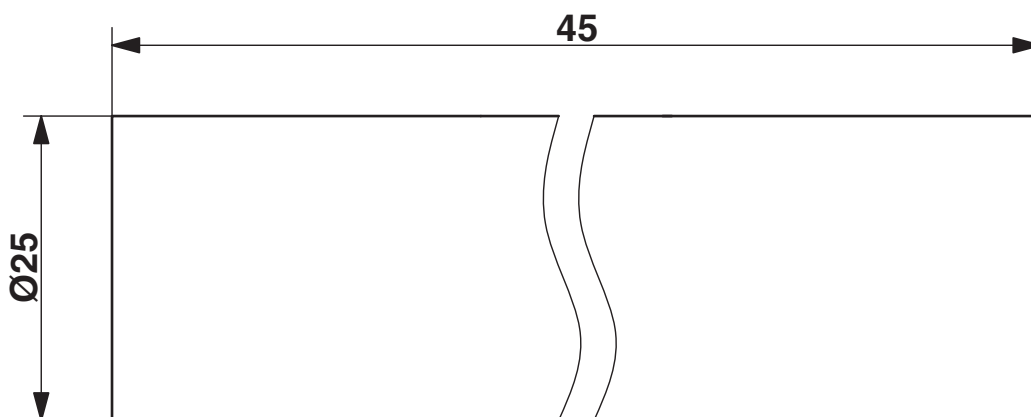


2700152

<https://www.phoenixcontact.com/in/products/2700152>

Drawings

Dimensional drawing



PSD-S ME T-P 45 - Mounting material



2700152

<https://www.phoenixcontact.com/in/products/2700152>

Approvals

🔗 To download certificates, visit the product detail page: <https://www.phoenixcontact.com/in/products/2700152>



EAC

Approval ID: EAC-Zulassung



EAC

Approval ID: RU *-DE.A*30.B.00237

PSD-S ME T-P 45 - Mounting material



2700152

<https://www.phoenixcontact.com/in/products/2700152>

Classifications

ECLASS

ECLASS-12.0	27371236
ECLASS-13.0	27371236
ECLASS-11.0	27371236

ETIM

ETIM 9.0	EC001155
----------	----------

UNSPSC

UNSPSC 21.0	46171600
-------------	----------

PSD-S ME T-P 45 - Mounting material



2700152

<https://www.phoenixcontact.com/in/products/2700152>

Environmental product compliance

EU RoHS

Fulfills EU RoHS substance requirements	Yes, No exemptions
---	--------------------

China RoHS

Environment friendly use period (EFUP)	EFUP-E
	No hazardous substances above the limits

EU REACH SVHC

REACH candidate substance (CAS No.)	No substance above 0.1 wt%
-------------------------------------	----------------------------

Phoenix Contact 2024 © - all rights reserved
<https://www.phoenixcontact.com>

PHOENIX CONTACT (I) Pvt. Ltd.
A-58/2, Okhla Industrial Area, Phase - II, New Delhi-110 020

+91.1275.71420
info@phoenixcontact.co.in