

PSD-S ME FB - Mounting material



2700151

<https://www.phoenixcontact.com/in/products/2700151>

Please be informed that the data shown in this PDF document is generated from our online catalog. Please find the complete data in the user documentation. Our general terms of use for downloads are valid.

Foldaway base, pitch 7.5°, black



Commercial data

Item number	2700151
Packing unit	1 pc
Minimum order quantity	1 pc
Sales key	DRL
Product key	DRL117
Catalog page	Page 521 (C-6-2019)
GTIN	4046356491426
Weight per piece (including packing)	189.7 g
Weight per piece (excluding packing)	165 g
Customs tariff number	39269097
Country of origin	DE

PSD-S ME FB - Mounting material



2700151

<https://www.phoenixcontact.com/in/products/2700151>

Technical data

Notes

Note on application	Only for industrial use
---------------------	-------------------------

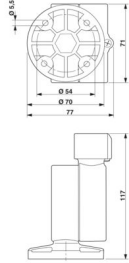
Product properties

Product type	Assembly element
Scope of delivery	3 x with screws (hexagonal socket-head) 1 x seal 1 x foam material ring
	3 x with screws (hexagonal socket-head) 1 x seal 1 x foam material ring

Data management status

Article revision	00
------------------	----

Dimensions

Dimensional drawing	
Width	77 mm
Height	117 mm
Diameter	70 mm

Material specifications

Color	black
Material	PA-GF

Environmental and real-life conditions

Ambient conditions

Degree of protection	IP65
Ambient temperature (operation)	-30 °C ... 60 °C

Mounting

Mounting type	Tube mounting
	Base mounting
Assembly note	Seal is supplied with
Mounting position	any

PSD-S ME FB - Mounting material

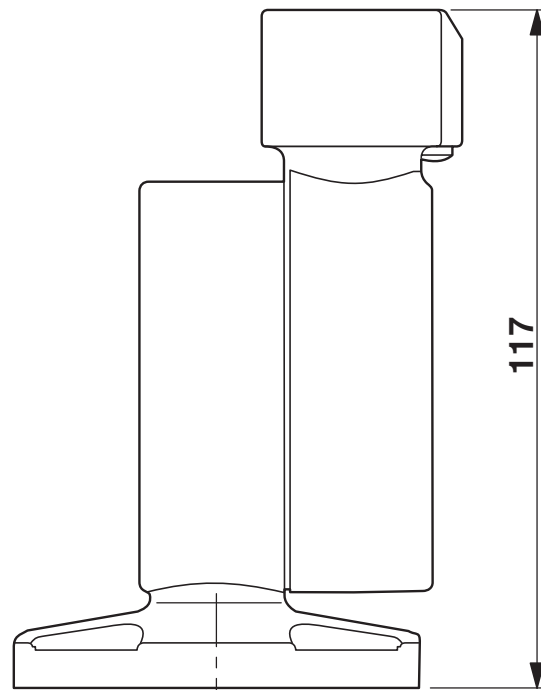
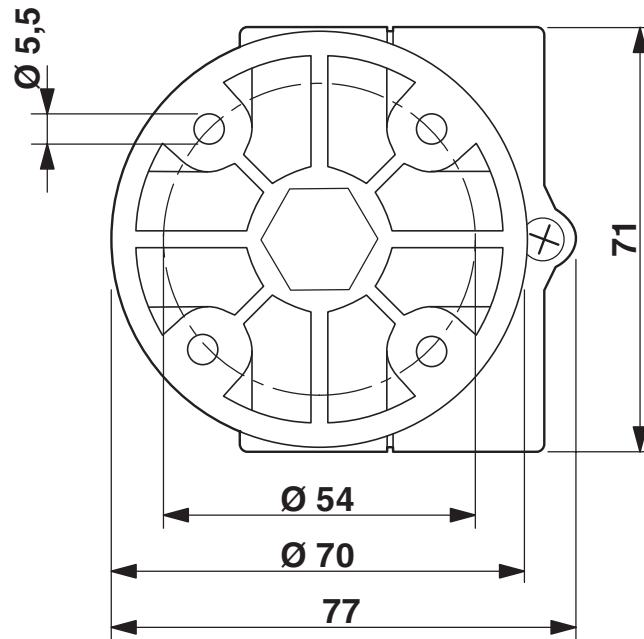
2700151

<https://www.phoenixcontact.com/in/products/2700151>



Drawings

Dimensional drawing



PSD-S ME FB - Mounting material



2700151

<https://www.phoenixcontact.com/in/products/2700151>

Approvals

To download certificates, visit the product detail page: <https://www.phoenixcontact.com/in/products/2700151>



EAC

Approval ID: RU *-DE.A*30.B.00237

PSD-S ME FB - Mounting material



2700151

<https://www.phoenixcontact.com/in/products/2700151>

Classifications

ECLASS

ECLASS-12.0	27371235
ECLASS-13.0	27371235
ECLASS-11.0	27371235

ETIM

ETIM 9.0	EC001154
----------	----------

UNSPSC

UNSPSC 21.0	43221500
-------------	----------

PSD-S ME FB - Mounting material



2700151

<https://www.phoenixcontact.com/in/products/2700151>

Environmental product compliance

EU RoHS

Fulfills EU RoHS substance requirements	Yes
Exemption	6(a), 6(a)-I

China RoHS

Environment friendly use period (EFUP)	EFUP-E
	No hazardous substances above the limits

EU REACH SVHC

REACH candidate substance (CAS No.)	Lead(CAS: 7439-92-1)
SCIP	f83ae5cb-c32f-4317-93ae-5984b93d9e54

Phoenix Contact 2024 © - all rights reserved
<https://www.phoenixcontact.com>

PHOENIX CONTACT (I) Pvt. Ltd.
A-58/2, Okhla Industrial Area, Phase - II, New Delhi-110 020

+91.1275.71420
info@phoenixcontact.co.in