

# PSD-S OE LED YE - Optical element



2700122

<https://www.phoenixcontact.com/in/products/2700122>

Please be informed that the data shown in this PDF document is generated from our Online Catalog. Please find the complete data in the user documentation. Our General Terms of Use for Downloads are valid.

LED permanent light element, 24 V AC/DC, yellow



## Your advantages

- Tool-free element changeover
- Can be freely combined
- High light and color intensity
- Minimum LED service life of 50,000 h
- Low power consumption
- Degree of protection IP65

## Commercial Data

|                                      |                     |
|--------------------------------------|---------------------|
| Item number                          | 2700122             |
| Packing unit                         | 1 pc                |
| Minimum order quantity               | 1 pc                |
| Sales Key                            | DRL                 |
| Product Key                          | DRL112              |
| Catalog Page                         | Page 516 (C-6-2019) |
| GTIN                                 | 4046356491167       |
| Weight per Piece (including packing) | 73.3 g              |
| Weight per Piece (excluding packing) | 72.6 g              |
| Customs tariff number                | 85318070            |
| Country of origin                    | DE                  |

# PSD-S OE LED YE - Optical element

2700122

<https://www.phoenixcontact.com/in/products/2700122>

## Technical Data

### Product properties

|                     |                 |
|---------------------|-----------------|
| Product type        | Optical element |
| Area of application | Signal tower    |

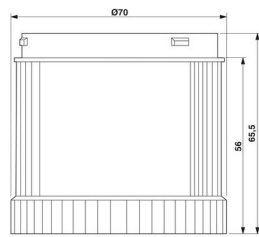
### Electrical properties

|   |        |
|---|--------|
| Maximum power dissipation for nominal condition | 0.72 W |
|---|--------|

### General

|                         |                 |
|-------------------------|-----------------|
| Input voltage           | 24 V AC/DC      |
| Maximum inrush current  | max. 500 mA     |
| Current consumption     | 30 mA           |
| Source of light type    | LED             |
| Operating time          | 100 %           |
| Service life electrical | max. 100,000 h  |
| Optical signal type     | Permanent light |

### Dimensions

|                     |  |
|---------------------|--|
| Dimensional drawing |  |
| Height              | 65.5 mm  |
| Diameter            | 70 mm  |

### Material specifications

|               |                  |
|---------------|------------------|
| Calotte color | yellow           |
| Material      | Polycarbonate PC |

### Environmental and real-life conditions

#### Ambient conditions

|                                 |                                    |
|---------------------------------|------------------------------------|
| Degree of protection            | IP65, when installed or with cover |
| Ambient temperature (operation) | -30 °C ... 50 °C                   |

### EMC data

|                               |   |
|-------------------------------|---|
| Electromagnetic compatibility | Conformance with EMC Directive 2014/30/EU |
|-------------------------------|---|

### Mounting

|                       |  |
|-----------------------|--|
| Assembly instructions | Rubber seal pre-installed for each element |
|-----------------------|--|

# PSD-S OE LED YE - Optical element



2700122

<https://www.phoenixcontact.com/in/products/2700122>

|                   |     |
|-------------------|-----|
| Mounting position | any |
|-------------------|-----|

# PSD-S OE LED YE - Optical element

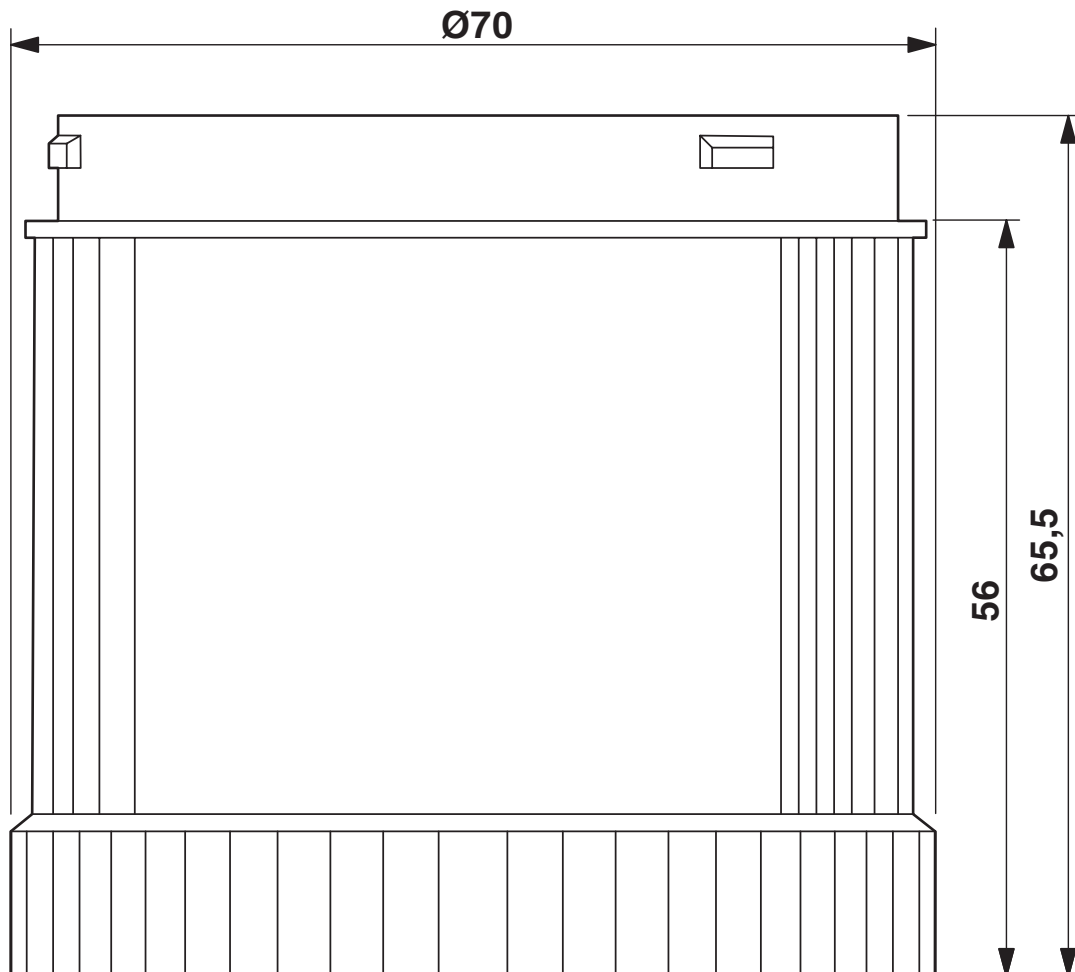


2700122

<https://www.phoenixcontact.com/in/products/2700122>

## Drawings

Dimensional drawing



# PSD-S OE LED YE - Optical element



2700122

<https://www.phoenixcontact.com/in/products/2700122>

## Approvals



**EAC**

Approval ID: TR TS\_D\_03484



**UL Listed**

Approval ID: FILE E 123528



**cUL Listed**

Approval ID: FILE E 123528



**EAC-RoHS**

Approval ID: RU D-DE.HB35.B.00391

# PSD-S OE LED YE - Optical element



2700122

<https://www.phoenixcontact.com/in/products/2700122>

## Classifications

### ECLASS

|             |          |
|-------------|----------|
| ECLASS-11.0 | 27371220 |
| ECLASS-12.0 | 27371220 |
| ECLASS-13.0 | 27371220 |

### ETIM

|          |          |
|----------|----------|
| ETIM 8.0 | EC000232 |
|----------|----------|

### UNSPSC

|             |          |
|-------------|----------|
| UNSPSC 21.0 | 46171600 |
|-------------|----------|

# PSD-S OE LED YE - Optical element



2700122

<https://www.phoenixcontact.com/in/products/2700122>

## Environmental Product Compliance

|            |  |
|------------|--|
| China RoHS | Environmentally Friendly Use Period = 50 years<br>For information on hazardous substances, refer to the manufacturer's declaration available under "Downloads" |
|------------|--|

Phoenix Contact 2023 © - all rights reserved  
<https://www.phoenixcontact.com>

PHOENIX CONTACT (I) Pvt. Ltd.  
A-58/2, Okhla Industrial Area, Phase - II, New Delhi-110 020

+91.1275.71420  
[info@phoenixcontact.co.in](mailto:info@phoenixcontact.co.in)