

PSD-S OE LED GN - Optical element



2700119

<https://www.phoenixcontact.com/in/products/2700119>

Please be informed that the data shown in this PDF document is generated from our Online Catalog. Please find the complete data in the user documentation. Our General Terms of Use for Downloads are valid.

LED permanent light element, 24 V AC/DC, green



Your advantages

- Tool-free element changeover
- Can be freely combined
- High light and color intensity
- Minimum LED service life of 50,000 h
- Low power consumption
- Degree of protection IP65

Commercial Data

Item number	2700119
Packing unit	1 pc
Minimum order quantity	1 pc
Sales Key	DRL
Product Key	DRL112
Catalog Page	Page 516 (C-6-2019)
GTIN	4046356491143
Weight per Piece (including packing)	72.9 g
Weight per Piece (excluding packing)	72.2 g
Customs tariff number	85318070
Country of origin	DE

PSD-S OE LED GN - Optical element

2700119

<https://www.phoenixcontact.com/in/products/2700119>

Technical Data

Product properties

Product type	Optical element
Area of application	Signal tower

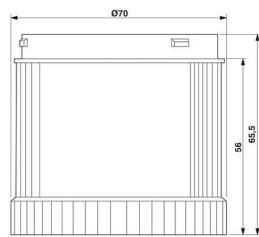
Electrical properties

Maximum power dissipation for nominal condition	0.6 W
---	-------

General

Input voltage	24 V AC/DC
Maximum inrush current	max. 500 mA
Current consumption	25 mA
Source of light type	LED
Operating time	100 %
Service life electrical	max. 100,000 h
Optical signal type	Permanent light

Dimensions

Dimensional drawing	
Height	65.5 mm
Diameter	70 mm

Material specifications

Calotte color	green
Material	Polycarbonate PC

Environmental and real-life conditions

Ambient conditions

Degree of protection	IP65, when installed or with cover
Ambient temperature (operation)	-30 °C ... 50 °C

EMC data

Electromagnetic compatibility	Conformance with EMC Directive 2014/30/EU
-------------------------------	---

Mounting

Assembly instructions	Rubber seal pre-installed for each element
-----------------------	--

PSD-S OE LED GN - Optical element

2700119

<https://www.phoenixcontact.com/in/products/2700119>



Mounting position	any
-------------------	-----

PSD-S OE LED GN - Optical element

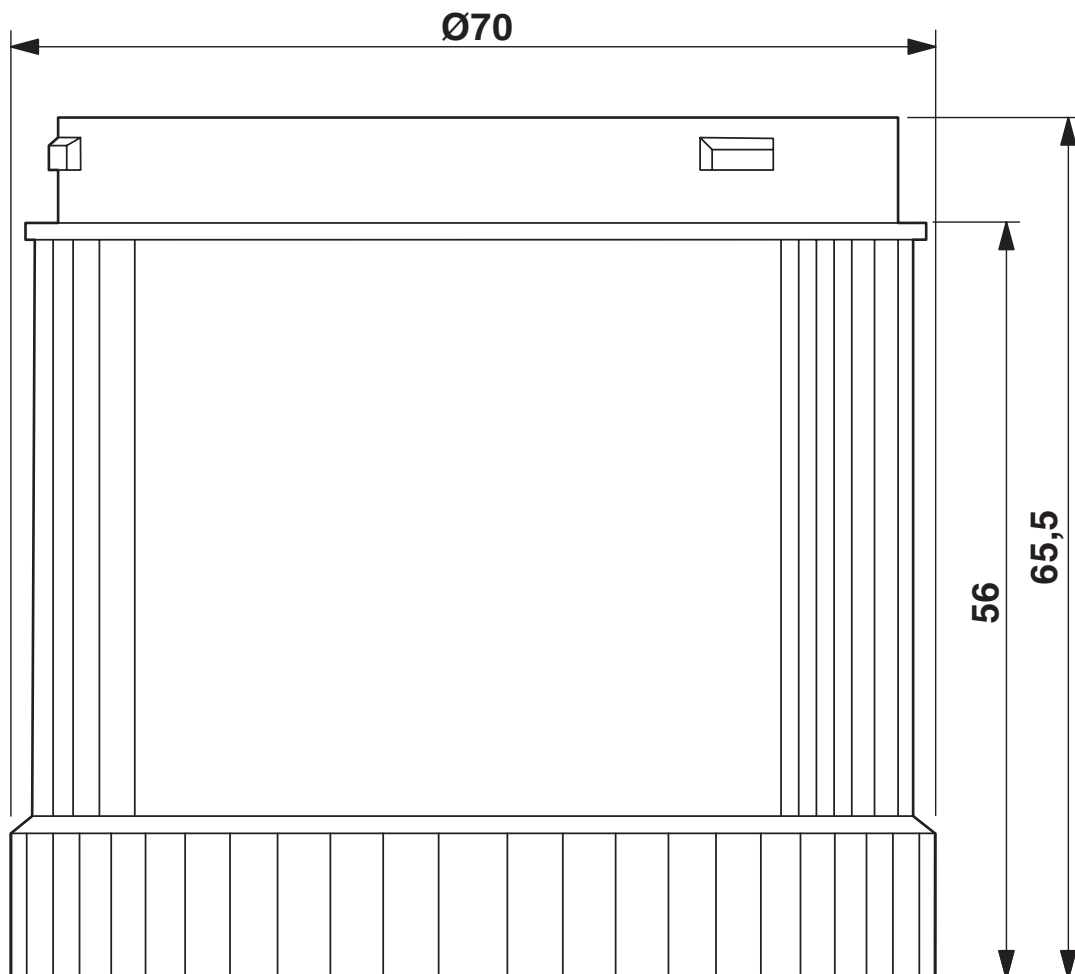


2700119

<https://www.phoenixcontact.com/in/products/2700119>

Drawings

Dimensional drawing



PSD-S OE LED GN - Optical element



2700119

<https://www.phoenixcontact.com/in/products/2700119>

Approvals



UL Listed

Approval ID: FILE E 123528



cUL Listed

Approval ID: FILE E 123528



EAC-RoHS

Approval ID: RU D-DE.HB35.B.00391

PSD-S OE LED GN - Optical element



2700119

<https://www.phoenixcontact.com/in/products/2700119>

Classifications

ECLASS

ECLASS-11.0	27371220
ECLASS-12.0	27371220
ECLASS-13.0	27371220

ETIM

ETIM 8.0	EC000232
----------	----------

UNSPSC

UNSPSC 21.0	46171600
-------------	----------

PSD-S OE LED GN - Optical element



2700119

<https://www.phoenixcontact.com/in/products/2700119>

Environmental Product Compliance

China RoHS	Environmentally Friendly Use Period = 50 years For information on hazardous substances, refer to the manufacturer's declaration available under "Downloads"
------------	--

Phoenix Contact 2023 © - all rights reserved
<https://www.phoenixcontact.com>

PHOENIX CONTACT (I) Pvt. Ltd.
A-58/2, Okhla Industrial Area, Phase - II, New Delhi-110 020

+91.1275.71420
info@phoenixcontact.co.in