

PSD-S CE-TM SPRING - Connection element



2700092

<https://www.phoenixcontact.com/in/products/2700092>

Please be informed that the data shown in this PDF document is generated from our online catalog. Please find the complete data in the user documentation. Our general terms of use for downloads are valid.

Connection element with spring-cage terminal blocks for tube mounting



Commercial data

Item number	2700092
Packing unit	1 pc
Minimum order quantity	1 pc
Sales key	DRL
Product key	DRL116
Catalog page	Page 520 (C-6-2019)
GTIN	4046356490153
Weight per piece (including packing)	89.7 g
Weight per piece (excluding packing)	84.3 g
Customs tariff number	85319000
Country of origin	DE

PSD-S CE-TM SPRING - Connection element



2700092

<https://www.phoenixcontact.com/in/products/2700092>

Technical data

Notes

Note on application	Only for industrial use
---------------------	-------------------------

Product properties

Product type	Assembly element
Scope of delivery	End cover and seal
	End cover and seal
Number of mountable signal elements	max. 5

Data management status

Article revision	00
------------------	----

Electrical properties

General

Nominal input voltage range	12 V AC/DC ... 240 V AC/DC
-----------------------------	----------------------------

Connection data

without ferrule

Connection method	Spring-cage connection
Conductor cross section, flexible	0.5 mm ² ... 1.5 mm ²
Conductor cross section, flexible [AWG]	... 15
Stripping length	7 mm

With ferrule

Connection method	Spring-cage connection
Conductor cross section, flexible	0.25 mm ² ... 1.5 mm ²
Conductor cross section, flexible [AWG]	... 15
Stripping length	7 mm

solid

Connection method	Spring-cage connection
Conductor cross section, rigid	0.5 mm ² ... 1.5 mm ²
Stripping length	7 mm

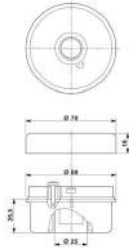
Dimensions

PSD-S CE-TM SPRING - Connection element



2700092

<https://www.phoenixcontact.com/in/products/2700092>

Dimensional drawing	
Height	27 mm
Diameter	69 mm

Material specifications

Color	black
Material	PA-GF

Environmental and real-life conditions

Ambient conditions

Degree of protection	IP65, when installed
Ambient temperature (operation)	-30 °C ... 50 °C

EMC data

Electromagnetic compatibility	Conformance with EMC directive 2004/108/EC and for low-voltage directive 2006/95/EC
-------------------------------	---

Mounting

Mounting type	Tube mounting
Assembly note	Rubber seal pre-installed for each element
Mounting position	any

PSD-S CE-TM SPRING - Connection element

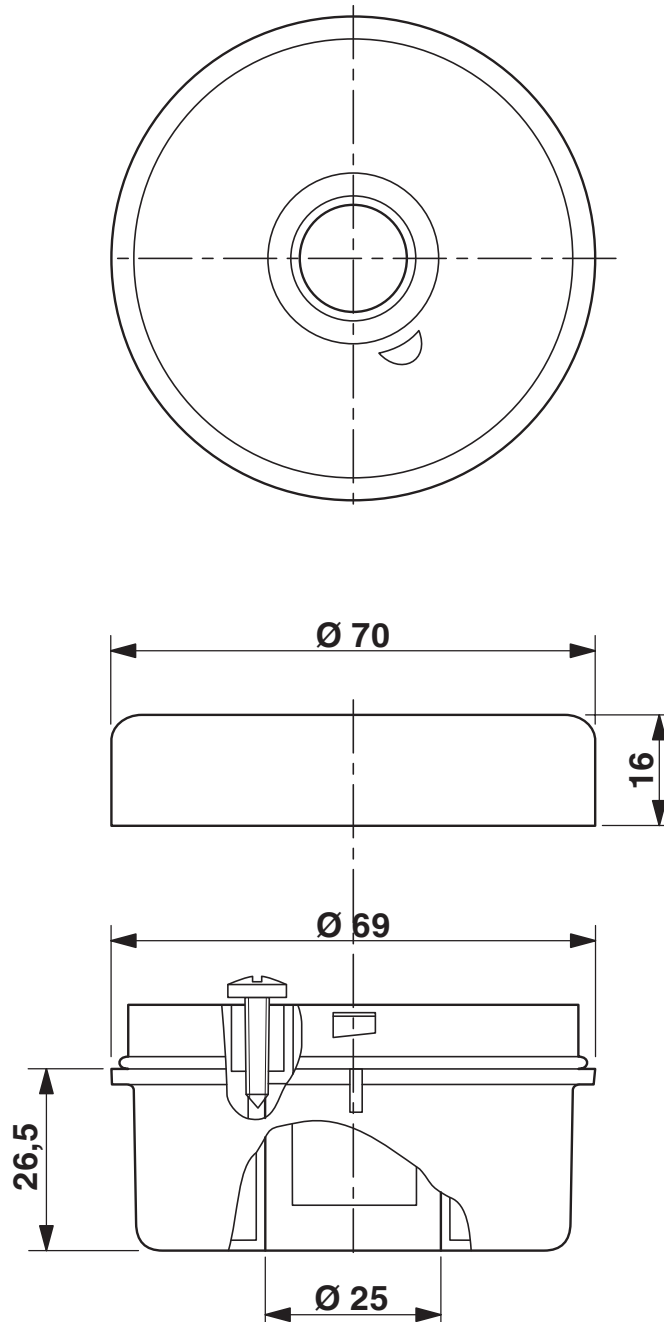
2700092

<https://www.phoenixcontact.com/in/products/2700092>



Drawings

Dimensional drawing



PSD-S CE-TM SPRING - Connection element



2700092

<https://www.phoenixcontact.com/in/products/2700092>

Approvals

To download certificates, visit the product detail page: <https://www.phoenixcontact.com/in/products/2700092>



EAC

Approval ID: TR TS_D_03484



UL Listed

Approval ID: E123528



cUL Listed

Approval ID: E123528

cULus Listed

PSD-S CE-TM SPRING - Connection element



2700092

<https://www.phoenixcontact.com/in/products/2700092>

Classifications

ECLASS

ECLASS-11.0	27371232
ECLASS-13.0	27371232
ECLASS-12.0	27371232

ETIM

ETIM 9.0	EC001152
----------	----------

UNSPSC

UNSPSC 21.0	46171600
-------------	----------

PSD-S CE-TM SPRING - Connection element



2700092

<https://www.phoenixcontact.com/in/products/2700092>

Environmental product compliance

EU RoHS

Fulfills EU RoHS substance requirements	Yes, No exemptions
---	--------------------

China RoHS

Environment friendly use period (EFUP)	EFUP-E
	No hazardous substances above the limits

EU REACH SVHC

REACH candidate substance (CAS No.)	No substance above 0.1 wt%
-------------------------------------	----------------------------

PSD-S CE-TM SPRING - Connection element

2700092

<https://www.phoenixcontact.com/in/products/2700092>

Accessories

PSD-S ME A-SH M18 - Adapter

2700150

<https://www.phoenixcontact.com/in/products/2700150>



Adapter for single-hole mounting

PSD-S ME BT 110 - Mounting material

2700156

<https://www.phoenixcontact.com/in/products/2700156>



Foot with integrated tube, 110 mm high, black

PSD-S CE-TM SPRING - Connection element

2700092

<https://www.phoenixcontact.com/in/products/2700092>



PSD-S ME T-M 250 - Mounting material

2700157

<https://www.phoenixcontact.com/in/products/2700157>



Tube, 250 mm high, Ø 25 mm

PSD-S ME T-M 400 - Mounting material

2700158

<https://www.phoenixcontact.com/in/products/2700158>



Tube, 400 mm high, Ø 25 mm

PSD-S CE-TM SPRING - Connection element

2700092

<https://www.phoenixcontact.com/in/products/2700092>

PSD-S ME T-M 1000 - Mounting material

2700154

<https://www.phoenixcontact.com/in/products/2700154>



Tube, 1000 mm long, Ø 25 mm

PSD-S ME B-M - Mounting material

2700164

<https://www.phoenixcontact.com/in/products/2700164>



Foot for tube Ø 25 mm, aluminium, black

PSD-S CE-TM SPRING - Connection element

2700092

<https://www.phoenixcontact.com/in/products/2700092>



PSD-S ME B-P - Mounting material

2700163

<https://www.phoenixcontact.com/in/products/2700163>



Foot for tube Ø 25 mm, plastic, black

PSD-S ME T-P 45 - Mounting material

2700152

<https://www.phoenixcontact.com/in/products/2700152>



Tube, 45 mm long, Ø 25 mm, for direct tube mounting on the foldaway base

PSD-S CE-TM SPRING - Connection element

2700092

<https://www.phoenixcontact.com/in/products/2700092>



PSD-S ME FB - Mounting material

2700151

<https://www.phoenixcontact.com/in/products/2700151>



Foldaway base, pitch 7.5°, black

PSD-S ME OB - Mounting material

2700153

<https://www.phoenixcontact.com/in/products/2700153>



Outlet box with lateral cable entry for floor and base mounting

PSD-S CE-TM SPRING - Connection element

2700092

<https://www.phoenixcontact.com/in/products/2700092>



PSD-S ME OB/MB - Mounting material

2700155

<https://www.phoenixcontact.com/in/products/2700155>

Outlet box with magnetic base for base mounting, black



PSD-S ME BR-BM/HCR - Mounting bracket

2700149

<https://www.phoenixcontact.com/in/products/2700149>

Angle for base mounting, concealed cable routing, black



PSD-S CE-TM SPRING - Connection element

2700092

<https://www.phoenixcontact.com/in/products/2700092>



PSD-S ME BR-BM - Mounting bracket

2700143

<https://www.phoenixcontact.com/in/products/2700143>



Angle for base mounting, black

Phoenix Contact 2024 © - all rights reserved

<https://www.phoenixcontact.com>

PHOENIX CONTACT (I) Pvt. Ltd.

A-58/2, Okhla Industrial Area, Phase - II, New Delhi-110 020

+91.1275.71420

info@phoenixcontact.co.in