

QUINT-UPS/ 24DC/ 24DC/10/3.4AH - Uninterruptible power supply



2320267

<https://www.phoenixcontact.com/in/products/2320267>

Please be informed that the data shown in this PDF document is generated from our Online Catalog. Please find the complete data in the user documentation. Our General Terms of Use for Downloads are valid.



Uninterruptible energy supply with IQ technology and integrated energy storage for DIN rail mounting, input 24 V DC, output: 24 V DC / 10 A, energy storage: lead AGM 4 Ah, incl. mounted UTA 107/30 universal DIN rail adapter

Product Description

UPS modules with integrated energy storage are particularly space saving: UPS module and energy storage are combined in one housing. It's just a case of connecting a power supply upstream.

Your advantages

- Easy handling thanks to automatic battery detection, tool-free battery replacement during operation, and communication via the IFS interface
- Reliable starting of difficult loads with the static POWER BOOST power reserve with up to 1.5 times the nominal current permanently
- Fast tripping of standard circuit breakers with SFB (selective fuse breaking) technology
- Device suitable for universal use thanks to comprehensive license package and extensive parameterization and diagnostics options

Commercial Data

Item number	2320267
Packing unit	1 pc
Minimum order quantity	1 pc
Sales Key	CMU
Product Key	CMUQV3
Catalog Page	Page 344 (C-4-2019)
GTIN	4046356554183
Weight per Piece (including packing)	4,590 g
Weight per Piece (excluding packing)	4,114 g
Customs tariff number	85371091
Country of origin	CN

QUINT-UPS/ 24DC/ 24DC/10/3.4AH - Uninterruptible power supply



2320267

<https://www.phoenixcontact.com/in/products/2320267>

Technical Data

Product properties

Product type	DC UPS with integrated energy storage
Product family	QUINT UPS – UPS with integrated energy storage
Disposal	Used batteries must not be thrown away with household waste, they should instead be disposed of in accordance with applicable national regulations.
IQ technology	Yes
MTBF (IEC 61709, SN 29500)	> 806000 h (40 °C)

Insulation characteristics

Protection class	III
Degree of pollution	2

Life expectancy (electrolytic capacitors)

Time	295585 h
------	----------

Input data

DC operation

Input voltage	24 V DC
Input voltage range	18 V DC ... 30 V DC
Input voltage range DC	18 V DC ... 30 V DC
Voltage type of supply voltage	DC
Buffer period	180 min. (1 A) 10 min. (10 A)
Current consumption	18.6 A (24 V DC) 9.5 mA 3.6 A 14 A

Output data

Efficiency	> 97.6 % (Mains operation, with charged energy storage) 96.41 %
Nominal output voltage	24 V DC
Output voltage range	18 V DC ... 30 V DC
Nominal output current (I_N)	10 A (0 °C ... 40 °C)
Output current limit	> 15 A (Battery operation)
Bridging time	600 s
Derating	60 °C ... 70 °C (2.5%/K)
Output power	240 W
Power dissipation	3.1 W (Mains operation) 3.19 W (Mains operation)

QUINT-UPS/ 24DC/ 24DC/10/3.4AH - Uninterruptible power supply



2320267

<https://www.phoenixcontact.com/in/products/2320267>

	1.8 W (Mains operation)
	6.3 W (Battery operation)
	4 W (Battery operation)
	5.1 W (Battery operation)
Output fuse	1x 25 A
Connection in parallel	2
Connection in series	No

Mains operation

Nominal output voltage	24 V DC
Output voltage range	18 V DC ... 30 V DC ($U_{OUT} = U_{IN} - 0,1 \text{ V DC}$)
Nominal output current (I_N)	10 A (0 °C ... 40 °C)
POWER BOOST (I_{Boost})	15 A (0 °C ... 40 °C)
Selective Fuse Breaking (I_{SFB})	60 A (0 °C ... 40 °C)
Duration	12 ms (SFB technology)

Battery operation

Nominal output voltage	24 V DC
Output voltage range	19.2 V DC ... 27.6 V DC ($U_{OUT} = U_{BAT} - 0,5 \text{ V DC}$)
Nominal output current (I_N)	10 A (0 °C ... 40 °C)
POWER BOOST (I_{Boost})	15 A (0 °C ... 40 °C)
Selective Fuse Breaking (I_{SFB})	65 A (0 °C ... 40 °C)
Duration	15 ms (SFB technology)

Signal: Alarm

Output description	Relay
Output voltage	$\leq 30 \text{ V AC/DC}$
Continuous load current	$\leq 100 \text{ mA}$

Signal: Battery charge

Output description	Relay
Output voltage	$\leq 30 \text{ V AC/DC}$
Continuous load current	$\leq 100 \text{ mA}$

Signal: Battery mode

Output description	Relay
Output voltage	$\leq 30 \text{ V AC/DC}$
Continuous load current	$\leq 100 \text{ mA}$

Signal

Continuous load current	$\leq 200 \text{ mA}$
-------------------------	-----------------------

Energy storage

Nominal voltage U_N	24 V DC
End-of-charge voltage	24 V DC ... 29 V DC (temperature compensated)

QUINT-UPS/ 24DC/ 24DC/10/3.4AH - Uninterruptible power supply



2320267

<https://www.phoenixcontact.com/in/products/2320267>

Charging current	1.2 A
Nominal capacity	4 Ah
Buffer period	180 min. (1 A) 10 min. (10 A)
Battery module service life	6 Years ... 9 Years (20 °C)
Latest startup date (battery only)	6 Months (0 °C ... 20 °C)
Latest startup (battery only) - range	3 Months ... 6 Months (20 °C ... 30 °C) 1 Months ... 3 Months (30 °C ... 40 °C)
Battery technology	VRLA-AGM
Memory medium	VRLA-AGM Battery 4.0 Ah
Accumulator type	2x BB Battery HR4.2-12FR (from UPS V/C-level 06)
Disposal	Used batteries must not be thrown away with household waste, they should instead be disposed of in accordance with applicable national regulations.
IQ technology	Yes
Temperature sensor	yes
Network management	Yes

Connection data

Input

Connection method	Screw connection
Conductor cross section, rigid min.	0.2 mm ²
Conductor cross section, rigid max.	2.5 mm ²
Conductor cross section flexible min.	0.2 mm ²
Conductor cross section flexible max.	2.5 mm ²
Conductor cross section AWG min.	16
Conductor cross section AWG max.	12
Stripping length	7 mm
Screw thread	M4
Tightening torque, min	0.5 Nm
Tightening torque max	0.6 Nm

Output

Connection method	Screw connection
Conductor cross section, rigid min.	0.2 mm ²
Conductor cross section, rigid max.	2.5 mm ²
Conductor cross section flexible min.	0.2 mm ²
Conductor cross section flexible max.	2.5 mm ²
Conductor cross section AWG min.	16
Conductor cross section AWG max.	12
Stripping length	7 mm
Screw thread	M4
Tightening torque, min	0.5 Nm

QUINT-UPS/ 24DC/ 24DC/10/3.4AH - Uninterruptible power supply



2320267

<https://www.phoenixcontact.com/in/products/2320267>

Tightening torque max	0.6 Nm
-----------------------	--------

Signal

Conductor cross section, rigid min.	0.2 mm ²
Conductor cross section, rigid max.	2.5 mm ²
Conductor cross section flexible min.	0.2 mm ²
Conductor cross section flexible max.	2.5 mm ²
Conductor cross section AWG min.	24
Conductor cross section AWG max.	12
Screw thread	M4
Tightening torque, min	0.5 Nm
Tightening torque max	0.6 Nm

Interfaces

Interface	IFS (Interface system data port)
-----------	----------------------------------

Signaling

Types of signaling	LED
	Relay contact
	Interface/software

Signal output

Signalization designation	Power In OK
Status display	LED
Note on status display	Static to
	Static to

Signal output: Switching output

Signalization designation	Alarm
Status display	LED
Note on status display	Static to
Color	red
Note on status display	Static to

Signal output: Switching output

Signalization designation	Battery charge
Status display	LED bar graph
Note on status display	dynamic
Color	red/green
Note on status display	dynamic

Signal output: Switching output

Signalization designation	Battery mode
Status display	LED
Note on status display	Static to

QUINT-UPS/ 24DC/ 24DC/10/3.4AH - Uninterruptible power supply



2320267

<https://www.phoenixcontact.com/in/products/2320267>

Color	yellow
Note on status display	Static to

Dimensions

Width	120 mm
Height	169 mm
Depth	125 mm

Installation dimensions

Installation distance right/left	5 mm / 5 mm
Installation distance top/bottom	50 mm / 50 mm

Material specifications

Color	aluminium
Housing material	Metal
Type of housing	Steel sheet, zinc-plated
Side element version	Galvanized sheet steel, closed
Housing material	Steel sheet, zinc-plated

Environmental and real-life conditions

Ambient conditions

Degree of protection	IP20
Ambient temperature (storage/transport)	-20 °C ... 40 °C
Ambient temperature (charge)	0 °C ... 40 °C
Ambient temperature (discharge)	-20 °C ... 50 °C
Climatic class	3K3 (in acc. with EN 60721)
Max. permissible relative humidity (operation)	≤ 95 % (25 °C, non-condensing)
Shock	18 ms, 30g, in each space direction (according to IEC 60068-2-27)
Vibration (operation)	< 15 Hz, amplitude ±2.5 mm (according to IEC 60068-2-6) 15 Hz ... 150 Hz, 2.3g t _v = 90 min.

Approvals

UL approvals	UL/C-UL Recognized UL 60950-1 UL Listed UL 508
--------------	---

EMC data

Low Voltage Directive	Conformance with Low Voltage Directive 2014/35/EC
EMC requirements for noise emission	EN 61000-6-3 EN 61000-6-4
EMC requirements for noise immunity	EN 61000-6-1 EN 61000-6-2
Electromagnetic compatibility	Conformance with EMC Directive 2014/30/EU

QUINT-UPS/ 24DC/ 24DC/10/3.4AH - Uninterruptible power supply



2320267

<https://www.phoenixcontact.com/in/products/2320267>

Electrostatic discharge

Standards/regulations	EN 61000-4-2
-----------------------	--------------

Electrostatic discharge

Contact discharge	8 kV (Test Level 4)
Discharge in air	15 kV (Test Level 4)
Comments	Criterion A

Electromagnetic HF field

Standards/regulations	EN 61000-4-3
-----------------------	--------------

Electromagnetic HF field

Frequency range	80 MHz ... 1 GHz
Test field strength	20 V/m
Frequency range	1 GHz ... 3 GHz
Test field strength	10 V/m
Frequency range	2 GHz ... 3 GHz
Test field strength	3 V/m
Comments	Criterion A

Fast transients (burst)

Standards/regulations	EN 61000-4-4
-----------------------	--------------

Fast transients (burst)

Input	2 kV (Test Level 3 - asymmetrical)
Output	2 kV (Test Level 3 - asymmetrical)
Signal	2 kV (Test Level 4 - asymmetrical)
Comments	Criterion A

Surge voltage load (surge)

Standards/regulations	EN 61000-4-5
Input	1 kV (Test Level 2 - symmetrical)
	2 kV (Test Level 3 - asymmetrical)
Output	1 kV (Test Level 2 - symmetrical)
	2 kV (Test Level 3 - asymmetrical)
Signal	1 kV (Test Level 2 - asymmetrical)
Comments	Criterion A

Conducted interference

Standards/regulations	EN 61000-4-6
-----------------------	--------------

Conducted interference

I/O/S	asymmetrical
Frequency range	0.15 MHz ... 80 MHz
Comments	Criterion A
Voltage	10 V (Test Level 3)

QUINT-UPS/ 24DC/ 24DC/10/3.4AH - Uninterruptible power supply



2320267

<https://www.phoenixcontact.com/in/products/2320267>

Emitted interference

Standards/regulations	EN 61000-6-3
Radio interference voltage in acc. with EN 55011	EN 55011 (EN 55022) Class B, area of application: Industry and residential
Emitted radio interference in acc. with EN 55011	EN 55011 (EN 55022) Class B, area of application: Industry and residential

Criteria

Criterion A	Normal operating behavior within the specified limits.
Criterion B	Temporary impairment to operational behavior that is corrected by the device itself.

Standards and regulations

Rail applications	EN 50121-4
Standard – Electronic equipment for use in electrical power installations and their assembly into electrical power installations	EN 50178/VDE 0160 (PELV)
Standard - Electrical safety	EN 60950-1/VDE 0805 (SELV)
	EN 61558-2-17

Mounting

Mounting type	DIN rail mounting
Assembly instructions	alignable: horizontal 5 mm, vertical 50 mm
Mounting position	horizontal DIN rail NS 35, EN 60715

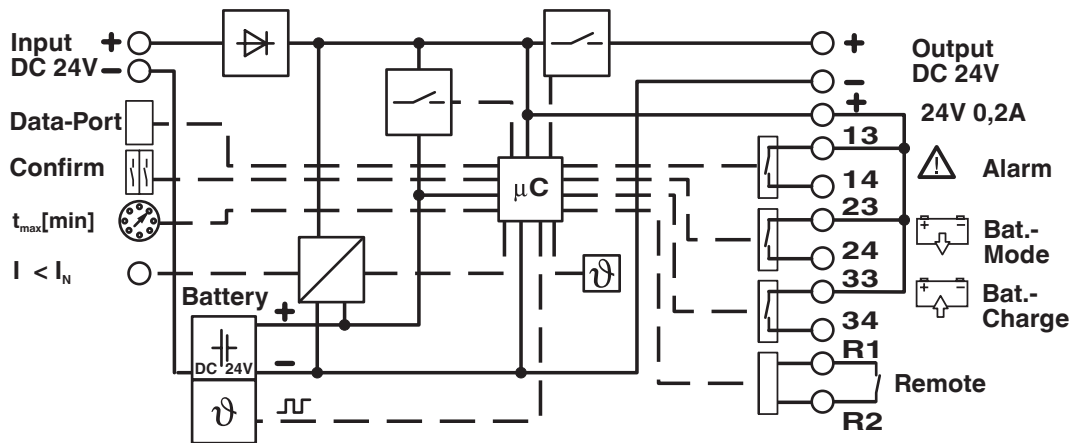
QUINT-UPS/ 24DC/ 24DC/10/3.4AH - Uninterruptible power supply

2320267

<https://www.phoenixcontact.com/in/products/2320267>

Drawings

Block diagram



QUINT-UPS/ 24DC/ 24DC/10/3.4AH - Uninterruptible power supply



2320267

<https://www.phoenixcontact.com/in/products/2320267>

Approvals



cUL Recognized
Approval ID: FILE E 211944



UL Recognized
Approval ID: FILE E 211944



EAC
Approval ID: EAC-Zulassung



UL Listed
Approval ID: FILE E 123528



cUL Listed
Approval ID: FILE E 123528



KC
Approval ID: R-R-PCK-2320267



cUL Listed
Approval ID: FILE E 199827



UL Listed
Approval ID: FILE E 199827

QUINT-UPS/ 24DC/ 24DC/10/3.4AH - Uninterruptible power supply



2320267

<https://www.phoenixcontact.com/in/products/2320267>

Classifications

ECLASS

ECLASS-11.0	27040705
ECLASS-12.0	27040705
ECLASS-13.0	27040705

ETIM

ETIM 8.0	EC000382
----------	----------

UNSPSC

UNSPSC 21.0	39121000
-------------	----------

QUINT-UPS/ 24DC/ 24DC/10/3.4AH - Uninterruptible power supply



2320267

<https://www.phoenixcontact.com/in/products/2320267>

Environmental Product Compliance

REACH SVHC	Lead 7439-92-1
China RoHS	Environmentally Friendly Use Period = 3
	For information on hazardous substances, refer to the manufacturer's declaration available under "Downloads"

QUINT-UPS/ 24DC/ 24DC/10/3.4AH - Uninterruptible power supply



2320267

<https://www.phoenixcontact.com/in/products/2320267>

Accessories

IFS-USB-DATACABLE - Data cable

2320500

<https://www.phoenixcontact.com/in/products/2320500>



Used for communicating between industrial PCs and Phoenix Contact devices with the 12-pos. IFS data port, such as QUINT UPS or TRIO UPS.

IFS-RS232-DATACABLE - Data cable

2320490

<https://www.phoenixcontact.com/in/products/2320490>



Data cable for communication between devices with a D-SUB 9 RS-232 connection and Phoenix Contact devices with the 12-pos. IFS data port such as QUINT UPS-IQ or TRIO UPS.

QUINT-UPS/ 24DC/ 24DC/10/3.4AH - Uninterruptible power supply



2320267

<https://www.phoenixcontact.com/in/products/2320267>

IFS-MINI-DIN-DATACABLE - Data cable

2320487

<https://www.phoenixcontact.com/in/products/2320487>

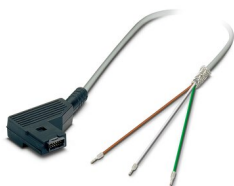


Data cable for communication, e.g., between Phoenix Contact type ILC 1xx Inline controllers and Phoenix Contact devices with the 12-pos. IFS data port, such as QUINT UPS-IQ UPS or TRIO UPS

IFS-OPEN-END-DATACABLE - Data cable

2320450

<https://www.phoenixcontact.com/in/products/2320450>



Data cable with open cable ends for communication, e.g., between a Phoenix Contact Inline communication terminal (IB IL RS UNI-PAC, 2700893) and Phoenix Contact devices with the 12-pos. IFS data port, such as QUINT UPS-IQ or TRIO UPS

QUINT-UPS/ 24DC/ 24DC/10/3.4AH - Uninterruptible power supply



2320267

<https://www.phoenixcontact.com/in/products/2320267>

QUINT-PS-ADAPTERS7/1 - Mounting adapter

2938196

<https://www.phoenixcontact.com/in/products/2938196>

Assembly adapter for QUINT-PS... power supply on S7-300 rail

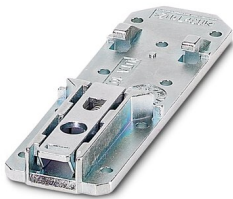


UTA 107/30 - Mounting adapter

2320089

<https://www.phoenixcontact.com/in/products/2320089>

Universal DIN rail adapter



QUINT-UPS/ 24DC/ 24DC/10/3.4AH - Uninterruptible power supply



2320267

<https://www.phoenixcontact.com/in/products/2320267>

LM-S-UWA - Mounting adapter

2907466

<https://www.phoenixcontact.com/in/products/2907466>



Universal wall adapter for the easy and professional mounting of the LM-S evaluation unit directly on the wall/on a mounting plate.

FUSE 15A/32V FKS ATO - Fuse

2908361

<https://www.phoenixcontact.com/in/products/2908361>



Fuse, nominal current: 15 A, length: 19 mm, width: 5 mm, height: 13 mm

QUINT-UPS/ 24DC/ 24DC/10/3.4AH - Uninterruptible power supply



2320267

<https://www.phoenixcontact.com/in/products/2320267>

IFS-CONFSTICK-L - Memory block

2901103

<https://www.phoenixcontact.com/in/products/2901103>



Multi-functional memory block with handle for the INTERFACE system; for easy storage and back up of the configuration.

UPS-BAT-KIT/PB/2X12V/4AH - Uninterruptible power supply replacement battery

1283116

<https://www.phoenixcontact.com/in/products/1283116>



Replacement battery, VRLA-AGM, 2x12 V DC, 4 Ah. Only for 1274117 UPS-BAT/PB/24DC/4AH, 2320267 QUINT-UPS/24DC/24DC/10/3.4AH from V/C 06, 2905908 TRIO-UPS-2G/1AC/1AC/120V/750VA, and 2905909 TRIO-UPS-2G/1AC/1AC/230V/750VA

Phoenix Contact 2023 © - all rights reserved

<https://www.phoenixcontact.com>

PHOENIX CONTACT (I) Pvt. Ltd.

A-58/2, Okhla Industrial Area, Phase - II, New Delhi-110 020

+91.1275.71420

info@phoenixcontact.co.in