

# QUINT-UPS/ 24DC/ 24DC/10 - Uninterruptible power supply



2320225

<https://www.phoenixcontact.com/in/products/2320225>

Please be informed that the data shown in this PDF document is generated from our Online Catalog. Please find the complete data in the user documentation. Our General Terms of Use for Downloads are valid.



Uninterruptible power supply with IQ technology for DIN rail mounting, input: 24 V DC, output: 24 V DC/10 A, including mounted universal DIN rail adapter UTA 107/30

## Product Description

The UPS module for 24 V DC with output currents ranging from 5 to 40 A allows you to create a custom solution combining a power supply, UPS module, and energy storage.

## Your advantages

- Easy handling thanks to automatic battery detection, tool-free battery replacement during operation, and communication via the IFS interface
- Optimum use of the buffer time and preventive monitoring of the energy storage
- Rapid battery charging
- Comprehensive signaling and parameterization
- Fast tripping of standard circuit breakers with SFB (selective fuse breaking) technology
- Reliable starting of difficult loads with the static POWER BOOST power reserve with up to 1.5 times the nominal current permanently

## Commercial Data

|                                      |                     |
|--------------------------------------|---------------------|
| Item number                          | 2320225             |
| Packing unit                         | 1 pc                |
| Minimum order quantity               | 1 pc                |
| Sales Key                            | CMU                 |
| Product Key                          | CMUQ43              |
| Catalog Page                         | Page 275 (C-4-2017) |
| GTIN                                 | 4046356554206       |
| Weight per Piece (including packing) | 637.7 g             |
| Weight per Piece (excluding packing) | 513 g               |
| Customs tariff number                | 85371091            |
| Country of origin                    | IN                  |

# QUINT-UPS/ 24DC/ 24DC/10 - Uninterruptible power supply



2320225

<https://www.phoenixcontact.com/in/products/2320225>

## Technical Data

### Input data

#### DC operation

|                                |                                    |
|--------------------------------|------------------------------------|
| Input voltage                  | 24 V DC                            |
| Nominal input voltage range    | 24 V DC                            |
| Input voltage range            | 18 V DC ... 30 V DC                |
| Input voltage range DC         | 18 V DC ... 30 V DC                |
| Voltage type of supply voltage | DC                                 |
| Buffer period                  | 3 h (With battery module 38 AH)    |
| Current consumption            | 19 A (maximum, mains operation)    |
|                                | 10.4 mA (No load, mains operation) |
|                                | 4 A (Charging, mains operation)    |
| Fixed backup threshold         | ≤ 22 V DC                          |
| Variable connect threshold     | 1 V/0.1 s                          |

### Output data

|                                  |   |
|----------------------------------|---|
| Efficiency                       | > 98 % (Mains operation, with charged energy storage)                 |
|                                  | > 98 % (Battery operation)  |
| Nominal output voltage           | 24 V DC   |
| Output voltage range             | 18 V DC ... 30 V DC   |
| Nominal output current ( $I_N$ ) | 10 A (-25 °C ... 50 °C)   |
| Output current limit             | In mains mode according to connected upstream current limiting device |
|                                  | > 15 A (Battery operation)  |
| Bridging time                    | 10800 s   |
| Derating                         | 60 °C ... 70 °C (2.5%/K)  |
|                                  | 60 °C ... 70 °C (2.5%/K)  |
| Output power                     | 240 W   |
| Power dissipation                | 2.6 W (Mains operation)   |
|                                  | 4.6 W (Mains operation)   |
|                                  | 2.9 W (Battery operation)   |
|                                  | 5.27 W (Battery operation)  |
| Connection in parallel           | yes, up to 2 modules with redundancy module                           |
|                                  | 2 (Devices)   |
| Connection in series             | No  |
|                                  | no  |

#### Mains operation

|                                  |                         |
|----------------------------------|-------------------------|
| Nominal output voltage           | 24 V DC                 |
| Output voltage range             | 18 V DC ... 30 V DC     |
| Nominal output current ( $I_N$ ) | 10 A (-25 °C ... 60 °C) |
| POWER BOOST ( $I_{Boost}$ )      | 15 A (-25 °C ... 40 °C) |

# QUINT-UPS/ 24DC/ 24DC/10 - Uninterruptible power supply



2320225

<https://www.phoenixcontact.com/in/products/2320225>

|                                       |                         |
|---------------------------------------|-------------------------|
| Selective Fuse Breaking ( $I_{SFB}$ ) | 60 A (-25 °C ... 60 °C) |
| Duration                              | 12 ms (SFB technology)  |

## Battery operation

|                                       |  |
|---------------------------------------|--|
| Nominal output voltage                | 24 V DC  |
| Output voltage range                  | 19.2 V DC ... 27.6 V DC ( $U_{OUT} = U_{BAT} - 0,5 \text{ V DC}$ ) |
| Nominal output current ( $I_N$ )      | 10 A (-25 °C ... 60 °C)  |
| POWER BOOST ( $I_{Boost}$ )           | 15 A (-25 °C ... 40 °C)  |
| Selective Fuse Breaking ( $I_{SFB}$ ) | 65 A (-25 °C ... 60 °C)  |
| Duration                              | 15 ms (SFB technology)   |

## Signal: Alarm

|                           |                           |
|---------------------------|---------------------------|
| Output description        | Relay (floating)          |
| Maximum switching voltage | $\leq 30 \text{ V AC/DC}$ |
| Continuous load current   | $\leq 100 \text{ mA}$     |

## Signal: Battery charge

|                           |                           |
|---------------------------|---------------------------|
| Output description        | Relay (floating)          |
| Maximum switching voltage | $\leq 30 \text{ V AC/DC}$ |
| Output voltage            | 24 V                      |
| Continuous load current   | $\leq 100 \text{ mA}$     |

## Signal: Battery mode

|                           |                           |
|---------------------------|---------------------------|
| Output description        | Relay (floating)          |
| Maximum switching voltage | $\leq 30 \text{ V AC/DC}$ |
| Output voltage            | 24 V                      |
| Continuous load current   | $\leq 100 \text{ mA}$     |

## Energy storage

|                                      |   |
|--------------------------------------|---|
| Nominal voltage $U_N$                | 24 V DC                                       |
| End-of-charge voltage                | 24 V DC ... 29 V DC (temperature compensated) |
| Charging current                     | 0.2 A ... 2.88 A                              |
| Nominal capacity range               | 1.3 Ah ... 140 Ah                             |
| Battery presence check/time interval | 1 min.  |
| Battery presence check (cyclic)      | 60 s  |
| IQ technology                        | Yes   |
| Temperature compensation             | 42 mV/K (preset)                              |
| Temperature compensation (preset)    | 42 mV/K                                       |
| Network management                   | Yes   |

## Connection data

### Input

|                                     |                            |
|-------------------------------------|----------------------------|
| Connection method                   | Pluggable screw connection |
| Conductor cross section, rigid min. | 0.2 mm <sup>2</sup>        |
| Conductor cross section, rigid max. | 2.5 mm <sup>2</sup>        |

# QUINT-UPS/ 24DC/ 24DC/10 - Uninterruptible power supply



2320225

<https://www.phoenixcontact.com/in/products/2320225>

|                                       |                     |
|---------------------------------------|---------------------|
| Conductor cross section flexible min. | 0.2 mm <sup>2</sup> |
| Conductor cross section flexible max. | 2.5 mm <sup>2</sup> |
| Conductor cross section AWG min.      | 16                  |
| Conductor cross section AWG max.      | 12                  |
| Stripping length                      | 7 mm                |
| Screw thread                          | M4                  |
| Tightening torque, min                | 0.5 Nm              |
| Tightening torque max                 | 0.6 Nm              |

## Output

|                                       |                            |
|---------------------------------------|----------------------------|
| Connection method                     | Pluggable screw connection |
| Conductor cross section, rigid min.   | 0.2 mm <sup>2</sup>        |
| Conductor cross section, rigid max.   | 2.5 mm <sup>2</sup>        |
| Conductor cross section flexible min. | 0.2 mm <sup>2</sup>        |
| Conductor cross section flexible max. | 2.5 mm <sup>2</sup>        |
| Conductor cross section AWG min.      | 16                         |
| Conductor cross section AWG max.      | 12                         |
| Stripping length                      | 7 mm                       |
| Screw thread                          | M4                         |
| Tightening torque, min                | 0.5 Nm                     |
| Tightening torque max                 | 0.6 Nm                     |

## Signal

|                                       |                     |
|---------------------------------------|---------------------|
| Conductor cross section, rigid min.   | 0.2 mm <sup>2</sup> |
| Conductor cross section, rigid max.   | 2.5 mm <sup>2</sup> |
| Conductor cross section flexible min. | 0.2 mm <sup>2</sup> |
| Conductor cross section flexible max. | 2.5 mm <sup>2</sup> |
| Conductor cross section AWG min.      | 24                  |
| Conductor cross section AWG max.      | 12                  |
| Screw thread                          | M4                  |
| Tightening torque, min                | 0.5 Nm              |
| Tightening torque max                 | 0.6 Nm              |

## Interfaces

|           |                                  |
|-----------|----------------------------------|
| Interface | IFS (Interface system data port) |
|-----------|----------------------------------|

## Signaling

|                    |                    |
|--------------------|--------------------|
| Types of signaling | LED                |
|                    | Relay contact      |
|                    | Interface/software |

## Signal output

|                           |             |
|---------------------------|-------------|
| Signalization designation | Power In OK |
| Status display            | LED         |
| Note on status display    | Static to   |

# QUINT-UPS/ 24DC/ 24DC/10 - Uninterruptible power supply



2320225

<https://www.phoenixcontact.com/in/products/2320225>

|  |           |
|--|-----------|
|  | Static to |
|--|-----------|

## Signal output: Switching output

|                           |           |
|---------------------------|-----------|
| Signalization designation | Alarm     |
| Status display            | LED       |
| Note on status display    | Static to |
| Color                     | red       |
| Note on status display    | Static to |

## Signal output: Switching output

|                           |                |
|---------------------------|----------------|
| Signalization designation | Battery charge |
| Status display            | LED bar graph  |
| Note on status display    | dynamic        |
| Color                     | green/red      |
| Note on status display    | dynamic        |

## Signal output: Switching output

|                           |              |
|---------------------------|--------------|
| Signalization designation | Battery mode |
| Status display            | LED          |
| Note on status display    | Static to    |
| Color                     | yellow       |
| Note on status display    | Static to    |

## Electrical properties

|  |          |
|--|----------|
| Insulation voltage input/output            | 500 V DC |
| Insulation voltage input, output / housing | 750 V DC |

## Product properties

|                            |                    |
|----------------------------|--------------------|
| Product type               | DC UPS             |
| Product family             | QUINT USV          |
| IQ technology              | Yes                |
| MTBF (IEC 61709, SN 29500) | > 500000 h (40 °C) |

## Insulation characteristics

|                  |     |
|------------------|-----|
| Protection class | III |
|------------------|-----|

## Life expectancy (electrolytic capacitors)

|      |          |
|------|----------|
| Time | 295585 h |
|------|----------|

## Dimensions

|        |        |
|--------|--------|
| Width  | 35 mm  |
| Height | 130 mm |
| Depth  | 125 mm |

## Installation dimensions

|                                  |               |
|----------------------------------|---------------|
| Installation distance right/left | 5 mm / 5 mm   |
| Installation distance top/bottom | 50 mm / 50 mm |

# QUINT-UPS/ 24DC/ 24DC/10 - Uninterruptible power supply



2320225

<https://www.phoenixcontact.com/in/products/2320225>

## Alternative assembly

|        |        |
|--------|--------|
| Width  | 123 mm |
| Height | 130 mm |
| Depth  | 39 mm  |

## Mounting

|                       |  |
|-----------------------|--|
| Mounting type         | DIN rail mounting                          |
| Assembly instructions | alignable: horizontal 5 mm, vertical 50 mm |
| Mounting position     | horizontal DIN rail NS 35, EN 60715        |

## Material specifications

|                  |   |
|------------------|---|
| Color            | aluminium                                     |
| Housing material | Metal   |
| Type of housing  | Aluminum (AlMg3)                              |
| Hood version     | Galvanized sheet steel, free from chrome (VI) |
| Housing material | Steel sheet, zinc-plated                      |

## Environmental and real-life conditions

### Ambient conditions

|  |  |
|--|--|
| Degree of protection                           | IP20   |
| Ambient temperature (operation)                | -25 °C ... 70 °C   |
| Ambient temperature (storage/transport)        | -40 °C ... 85 °C   |
| Climatic class                                 | 3K3 (in acc. with EN 60721)  |
| Max. permissible relative humidity (operation) | ≥ 95 % (25 °C, non-condensing)   |
| Shock  | 18 ms, 30g, in each space direction (according to IEC 60068-2-27)  |
| Vibration (operation)                          | < 15 Hz, amplitude ±2.5 mm (according to IEC 60068-2-6)<br>15 Hz ... 150 Hz, 2.3g t <sub>v</sub> = 90 min. |

## Standards and regulations

|  |                            |
|--|----------------------------|
| Rail applications  | EN 50121-4                 |
| Standard – Electronic equipment for use in electrical power installations and their assembly into electrical power installations | EN 50178/VDE 0160 (PELV)   |
| Standard - Electrical safety   | EN 60950-1/VDE 0805 (SELV) |

## Approvals

|              |  |
|--------------|--|
| UL approvals | UL Listed UL 508   |
|              | UL/C-UL Recognized UL 60950-1  |
|              | UL ANSI/ISA-12.12.01 Class I, Division 2, Groups A, B, C, D (Hazardous Location) |

## EMC data

|                                     |   |
|-------------------------------------|---|
| Low Voltage Directive               | Conformance with Low Voltage Directive 2014/35/EC |
| EMC requirements for noise emission | EN 61000-6-3                                      |
|                                     | EN 61000-6-4                                      |

# QUINT-UPS/ 24DC/ 24DC/10 - Uninterruptible power supply



2320225

<https://www.phoenixcontact.com/in/products/2320225>

|                                     |   |
|-------------------------------------|---|
| EMC requirements for noise immunity | EN 61000-6-1                              |
|                                     | EN 61000-6-2                              |
| Electromagnetic compatibility       | Conformance with EMC Directive 2014/30/EU |

## Electrostatic discharge

|                       |              |
|-----------------------|--------------|
| Standards/regulations | EN 61000-4-2 |
|-----------------------|--------------|

## Electrostatic discharge

|                   |                      |
|-------------------|----------------------|
| Contact discharge | 8 kV (Test Level 4)  |
| Discharge in air  | 15 kV (Test Level 4) |
| Comments          | Criterion A          |

## Electromagnetic HF field

|                       |              |
|-----------------------|--------------|
| Standards/regulations | EN 61000-4-3 |
|-----------------------|--------------|

## Electromagnetic HF field

|                     |                  |
|---------------------|------------------|
| Frequency range     | 80 MHz ... 1 GHz |
| Test field strength | 20 V/m           |
| Frequency range     | 1 GHz ... 3 GHz  |
| Test field strength | 10 V/m           |
| Frequency range     | 2 GHz ... 3 GHz  |
| Test field strength | 3 V/m            |
| Comments            | Criterion A      |

## Fast transients (burst)

|                       |              |
|-----------------------|--------------|
| Standards/regulations | EN 61000-4-4 |
|-----------------------|--------------|

## Fast transients (burst)

|          |                                    |
|----------|------------------------------------|
| Input    | 2 kV (Test Level 3 - asymmetrical) |
| Output   | 2 kV (Test Level 3 - asymmetrical) |
| Signal   | 2 kV (Test Level 4 - asymmetrical) |
| Comments | Criterion A                        |

## Surge voltage load (surge)

|                       |                                    |
|-----------------------|------------------------------------|
| Standards/regulations | EN 61000-4-5                       |
| Input                 | 1 kV (Test Level 2 - symmetrical)  |
|                       | 2 kV (Test Level 3 - asymmetrical) |
| Output                | 1 kV (Test Level 2 - symmetrical)  |
|                       | 2 kV (Test Level 3 - asymmetrical) |
| Signal                | 1 kV (Test Level 2 - asymmetrical) |
| Comments              | Criterion A                        |

## Conducted interference

|                       |              |
|-----------------------|--------------|
| Standards/regulations | EN 61000-4-6 |
|-----------------------|--------------|

## Conducted interference

|                 |                     |
|-----------------|---------------------|
| I/O/S           | asymmetrical        |
| Frequency range | 0.15 MHz ... 80 MHz |

# QUINT-UPS/ 24DC/ 24DC/10 - Uninterruptible power supply



2320225

<https://www.phoenixcontact.com/in/products/2320225>

|          |                     |
|----------|---------------------|
| Comments | Criterion A         |
| Voltage  | 10 V (Test Level 3) |

## Emitted interference

|  |  |
|--|--|
| Standards/regulations                            | EN 61000-6-3   |
| Radio interference voltage in acc. with EN 55011 | EN 55011 (EN 55022) Class B, area of application: Industry and residential |
| Emitted radio interference in acc. with EN 55011 | EN 55011 (EN 55022) Class B, area of application: Industry and residential |

## Criteria

|             |  |
|-------------|--|
| Criterion A | Normal operating behavior within the specified limits.                               |
| Criterion B | Temporary impairment to operational behavior that is corrected by the device itself. |



# QUINT-UPS/ 24DC/ 24DC/10 - Uninterruptible power supply

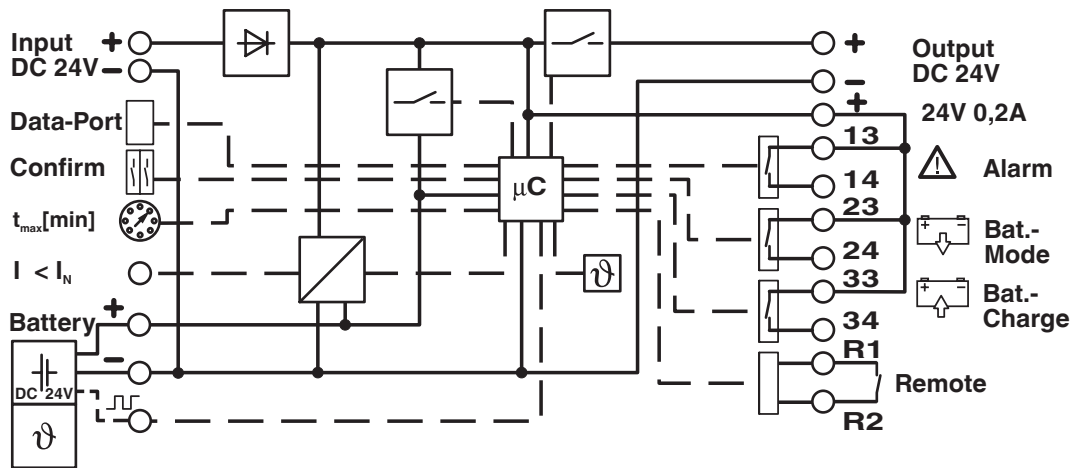


2320225

<https://www.phoenixcontact.com/in/products/2320225>

## Drawings

Block diagram



# QUINT-UPS/ 24DC/ 24DC/10 - Uninterruptible power supply



2320225

<https://www.phoenixcontact.com/in/products/2320225>

## Approvals



**cUL Recognized**  
Approval ID: FILE E 211944



**UL Recognized**  
Approval ID: FILE E 211944



**EAC**  
Approval ID: EAC-Zulassung



**LR**  
Approval ID: LR22136091TA



**UL Recognized**  
Approval ID: FILE E 211944



**BV**  
Approval ID: 41516/B0 BV



**EAC**  
Approval ID: EAC-Zulassung



**UL Listed**  
Approval ID: FILE E 123528



**cUL Recognized**  
Approval ID: FILE E 211944



**cUL Listed**  
Approval ID: FILE E 123528



**cUL Listed**  
Approval ID: FILE E 123528



**UL Listed**  
Approval ID: FILE E 123528

# QUINT-UPS/ 24DC/ 24DC/10 - Uninterruptible power supply



2320225

<https://www.phoenixcontact.com/in/products/2320225>



**BV**

Approval ID: 41516/B0 BV



**LR**

Approval ID: LR22136091TA



**EAC**

Approval ID: RU S-DE.BL08.W.00764



**EAC**

Approval ID: RU S-DE.BL08.W.00764



**EAC**

Approval ID: RU-DE.B.00184/20



**EAC**

Approval ID: RU-DE.B.00184/20



**KC**

Approval ID: R-R-PCK-2320225



**KC**

Approval ID: R-R-PCK-2320225



**cUL Listed**

Approval ID: FILE E 199827



**UL Listed**

Approval ID: FILE E 199827



**UL Listed**

Approval ID: FILE E 199827



**cUL Listed**

Approval ID: FILE E 199827

# QUINT-UPS/ 24DC/ 24DC/10 - Uninterruptible power supply



2320225

<https://www.phoenixcontact.com/in/products/2320225>

# QUINT-UPS/ 24DC/ 24DC/10 - Uninterruptible power supply



2320225

<https://www.phoenixcontact.com/in/products/2320225>

## Classifications

### ECLASS

|             |          |
|-------------|----------|
| ECLASS-11.0 | 27040705 |
| ECLASS-13.0 | 27040705 |
| ECLASS-12.0 | 27040705 |

### ETIM

|          |          |
|----------|----------|
| ETIM 8.0 | EC000382 |
|----------|----------|

### UNSPSC

|             |          |
|-------------|----------|
| UNSPSC 21.0 | 39121000 |
|-------------|----------|

# QUINT-UPS/ 24DC/ 24DC/10 - Uninterruptible power supply



2320225

<https://www.phoenixcontact.com/in/products/2320225>

## Environmental Product Compliance

|            |  |
|------------|--|
| REACH SVHC | Lead 7439-92-1   |
| China RoHS | Environmentally Friendly Use Period = 25;  |
|            | For information on hazardous substances, refer to the manufacturer's declaration available under "Downloads" |

# QUINT-UPS/ 24DC/ 24DC/10 - Uninterruptible power supply



2320225

<https://www.phoenixcontact.com/in/products/2320225>

## Accessories

### UPS-BAT/PB/24DC/1.2AH - Energy storage

1274520

<https://www.phoenixcontact.com/in/products/1274520>



Energy storage, VRLA-AGM, 24 V DC, 1.2 Ah, automatic detection and communication with QUINT UPS-IQ

---

### UPS-BAT/PB/24DC/4AH - Energy storage

1274117

<https://www.phoenixcontact.com/in/products/1274117>



Energy storage, VRLA-AGM, 24 V DC, 4 Ah, automatic detection and communication with QUINT UPS-IQ

# QUINT-UPS/ 24DC/ 24DC/10 - Uninterruptible power supply



2320225

<https://www.phoenixcontact.com/in/products/2320225>

## UPS-BAT/PB/24DC/7AH - Energy storage

1274118

<https://www.phoenixcontact.com/in/products/1274118>



Energy storage, VRLA-AGM, 24 V DC, 7 Ah, automatic detection and communication with QUINT UPS-IQ

---

## UPS-BAT/PB/24DC/12AH - Energy storage

1274119

<https://www.phoenixcontact.com/in/products/1274119>



Energy storage, VRLA-AGM, 24 V DC, 12 Ah, automatic detection and communication with QUINT UPS-IQ



# QUINT-UPS/ 24DC/ 24DC/10 - Uninterruptible power supply



2320225

<https://www.phoenixcontact.com/in/products/2320225>

## UPS-BAT/PB/24DC/20AH - Energy storage

1348516

<https://www.phoenixcontact.com/in/products/1348516>



Energy storage, VRLA-AGM, 24 V DC, 20 Ah, automatic detection and communication with QUINT UPS-IQ

---

## UPS-BAT/PB/24DC/40AH - Energy storage

1354641

<https://www.phoenixcontact.com/in/products/1354641>



Energy storage, VRLA-AGM, 24 V DC, 40 Ah, automatic detection and communication with QUINT UPS-IQ

# QUINT-UPS/ 24DC/ 24DC/10 - Uninterruptible power supply



2320225

<https://www.phoenixcontact.com/in/products/2320225>

## UPS-BAT/LI/24DC/128WH - Energy storage

1396415

<https://www.phoenixcontact.com/in/products/1396415>



Energy storage, Lithium-Ion (LiFePO<sub>4</sub>), 24 V DC, 128 Wh. For use with a QUINT UPS for ambient temperatures (charging) of 0°C ... 60°C and a maximum charging current of 5 A. For charging below 0°C, please note the permissible UPS V/C level.

---

## UPS-CAP/24DC/10A/10KJ - Energy storage

2320377

<https://www.phoenixcontact.com/in/products/2320377>



Maintenance-free energy storage based on double-layer capacitor, 24 V DC, 10 kJ, automatic detection and communication with QUINT UPS-IQ

# QUINT-UPS/ 24DC/ 24DC/10 - Uninterruptible power supply



2320225

<https://www.phoenixcontact.com/in/products/2320225>

## UPS-CAP/24DC/20A/20KJ - Energy storage

2320380

<https://www.phoenixcontact.com/in/products/2320380>



Maintenance-free energy storage based on double-layer capacitor, 24 V DC, 20 kJ, automatic detection and communication with QUINT UPS-IQ

---

## QUINT-PS-ADAPTERS7/1 - Mounting adapter

2938196

<https://www.phoenixcontact.com/in/products/2938196>

Assembly adapter for QUINT-PS... power supply on S7-300 rail



# QUINT-UPS/ 24DC/ 24DC/10 - Uninterruptible power supply



2320225

<https://www.phoenixcontact.com/in/products/2320225>

## UTA 107/30 - Mounting adapter

2320089

<https://www.phoenixcontact.com/in/products/2320089>

Universal DIN rail adapter



---

## UWA 182/52 - Mounting adapter

2938235

<https://www.phoenixcontact.com/in/products/2938235>

Universal wall adapter for securely mounting the device in the event of strong vibrations. The device is screwed directly onto the mounting surface. The universal wall adapter is attached on the top/bottom.



# QUINT-UPS/ 24DC/ 24DC/10 - Uninterruptible power supply



2320225

<https://www.phoenixcontact.com/in/products/2320225>

## IFS-RS232-DATACABLE - Data cable

2320490

<https://www.phoenixcontact.com/in/products/2320490>



Data cable for communication between devices with a D-SUB 9 RS-232 connection and Phoenix Contact devices with the 12-pos. IFS data port such as QUINT UPS-IQ or TRIO UPS.

---

## IFS-USB-DATACABLE - Data cable

2320500

<https://www.phoenixcontact.com/in/products/2320500>



Used for communicating between industrial PCs and Phoenix Contact devices with the 12-pos. IFS data port, such as QUINT UPS or TRIO UPS.

# QUINT-UPS/ 24DC/ 24DC/10 - Uninterruptible power supply



2320225

<https://www.phoenixcontact.com/in/products/2320225>

## IFS-CONFSTICK - Memory block

2986122

<https://www.phoenixcontact.com/in/products/2986122>



Multi-functional memory block for the INTERFACE system for easy storage and backup of the configuration.

---

## IFS-CONFSTICK-L - Memory block

2901103

<https://www.phoenixcontact.com/in/products/2901103>



Multi-functional memory block with handle for the INTERFACE system; for easy storage and back up of the configuration.

---

Phoenix Contact 2023 © - all rights reserved  
<https://www.phoenixcontact.com>

PHOENIX CONTACT (I) Pvt. Ltd.  
A-58/2, Okhla Industrial Area, Phase - II, New Delhi-110 020

+91.1275.71420  
[info@phoenixcontact.co.in](mailto:info@phoenixcontact.co.in)