

QUINT-UPS/24DC/24DC/5 - Uninterruptible power supply



2320212

<https://www.phoenixcontact.com/in/products/2320212>

Please be informed that the data shown in this PDF document is generated from our Online Catalog. Please find the complete data in the user documentation. Our General Terms of Use for Downloads are valid.



Uninterruptible power supply with IQ technology for DIN rail mounting, input: 24 V DC, output: 24 V DC/5 A, including mounted universal DIN rail adapter UTA 107/30

Product Description

The UPS module for 24 V DC with output currents ranging from 5 to 40 A allows you to create a custom solution combining a power supply, UPS module, and energy storage.

Your advantages

- Easy handling thanks to automatic battery detection, tool-free battery replacement during operation, and communication via the IFS interface
- Optimum use of the buffer time and preventive monitoring of the energy storage
- Rapid battery charging
- Comprehensive signaling and parameterization
- Fast tripping of standard circuit breakers with SFB (selective fuse breaking) technology
- Reliable starting of difficult loads with the static POWER BOOST power reserve with up to 1.5 times the nominal current permanently

Commercial Data

Item number	2320212
Packing unit	1 pc
Minimum order quantity	1 pc
Sales Key	CMU
Product Key	CMUQ43
Catalog Page	Page 274 (C-4-2017)
GTIN	4046356554138
Weight per Piece (including packing)	619.1 g
Weight per Piece (excluding packing)	500 g
Customs tariff number	85371091
Country of origin	IN

QUINT-UPS/24DC/24DC/5 - Uninterruptible power supply



2320212

<https://www.phoenixcontact.com/in/products/2320212>

Technical Data

Input data

DC operation

Input voltage	24 V DC
Nominal input voltage range	24 V DC
Input voltage range	18 V DC ... 30 V DC
Input voltage range DC	18 V DC ... 30 V DC
Voltage type of supply voltage	DC
Buffer period	2 h (With battery module 12 AH)
Current consumption	9.4 A (maximum, mains operation)
	10.3 mA (No load, mains operation)
	1.8 A (Charging, mains operation)
Fixed backup threshold	≤ 22 V DC
Variable connect threshold	1 V/0.1 s

Output data

Efficiency	> 98 % (Mains operation, with charged energy storage)
	98 % (Battery operation)
Nominal output voltage	24 V DC
Output voltage range	18 V DC ... 30 V DC
Nominal output current (I_N)	5 A (-25 °C ... 50 °C)
Output current limit	In mains mode according to connected upstream current limiting device
	> 7.5 A (Battery operation)
Bridging time	28800 s
Derating	60 °C ... 70 °C (2.5%/K)
	60 °C ... 70 °C (2.5%/K)
Output power	120 W
Power dissipation	2.5 W (Mains operation)
	2.65 W (Mains operation)
	2.64 W (Battery operation)
	2.93 W (Battery operation)
Connection in parallel	yes, up to 2 modules with redundancy module
	2 (Devices)
Connection in series	No
	no

Mains operation

Nominal output voltage	24 V DC
Output voltage range	18 V DC ... 30 V DC
Nominal output current (I_N)	5 A (-25 °C ... 60 °C)
POWER BOOST (I_{Boost})	7.5 A (-25 °C ... 40 °C)

QUINT-UPS/24DC/24DC/5 - Uninterruptible power supply



2320212

<https://www.phoenixcontact.com/in/products/2320212>

Selective Fuse Breaking (I_{SFB})	30 A (-25 °C ... 60 °C)
Duration	12 ms (SFB technology)

Battery operation

Nominal output voltage	24 V DC
Output voltage range	19.2 V DC ... 27.6 V DC ($U_{OUT} = U_{BAT} - 0,5 \text{ V DC}$)
Nominal output current (I_N)	5 A (-25 °C ... 60 °C)
POWER BOOST (I_{Boost})	7.5 A (-25 °C ... 40 °C)
Selective Fuse Breaking (I_{SFB})	32.5 A (-25 °C ... 60 °C)
Duration	15 ms (SFB technology)

Signal: Alarm

Output description	Relay (floating)
Maximum switching voltage	$\leq 30 \text{ V AC/DC}$
Continuous load current	$\leq 100 \text{ mA}$

Signal: Battery charge

Output description	Relay (floating)
Maximum switching voltage	$\leq 30 \text{ V AC/DC}$
Output voltage	24 V
Continuous load current	$\leq 100 \text{ mA}$

Signal: Battery mode

Output description	Relay (floating)
Maximum switching voltage	$\leq 30 \text{ V AC/DC}$
Output voltage	24 V
Continuous load current	$\leq 100 \text{ mA}$

Energy storage

Nominal voltage U_N	24 V DC
End-of-charge voltage	24 V DC ... 29 V DC (temperature compensated)
Charging current	0.2 A ... 1.36 A
Nominal capacity range	0.8 Ah ... 140 Ah
Battery presence check/time interval	1 min.
Battery presence check (cyclic)	60 s
IQ technology	Yes
Temperature compensation	42 mV/K (preset)
Temperature compensation (preset)	42 mV/K
Network management	Yes

Connection data

Input

Connection method	Pluggable screw connection
Conductor cross section, rigid min.	0.2 mm ²
Conductor cross section, rigid max.	2.5 mm ²

QUINT-UPS/24DC/24DC/5 - Uninterruptible power supply



2320212

<https://www.phoenixcontact.com/in/products/2320212>

Conductor cross section flexible min.	0.2 mm ²
Conductor cross section flexible max.	2.5 mm ²
Conductor cross section AWG min.	20
Conductor cross section AWG max.	12
Stripping length	7 mm
Screw thread	M4
Tightening torque, min	0.5 Nm
Tightening torque max	0.6 Nm

Output

Connection method	Pluggable screw connection
Conductor cross section, rigid min.	0.2 mm ²
Conductor cross section, rigid max.	2.5 mm ²
Conductor cross section flexible min.	0.2 mm ²
Conductor cross section flexible max.	2.5 mm ²
Conductor cross section AWG min.	20
Conductor cross section AWG max.	12
Stripping length	7 mm
Screw thread	M4
Tightening torque, min	0.5 Nm
Tightening torque max	0.6 Nm

Signal

Conductor cross section, rigid min.	0.2 mm ²
Conductor cross section, rigid max.	2.5 mm ²
Conductor cross section flexible min.	0.2 mm ²
Conductor cross section flexible max.	2.5 mm ²
Conductor cross section AWG min.	24
Conductor cross section AWG max.	12
Screw thread	M4
Tightening torque, min	0.5 Nm
Tightening torque max	0.6 Nm

Interfaces

Interface	IFS (Interface system data port)
-----------	----------------------------------

Signaling

Types of signaling	LED
	Relay contact
	Interface/software

Signal output

Signalization designation	Power In OK
Status display	LED
Note on status display	Static to

QUINT-UPS/24DC/24DC/5 - Uninterruptible power supply



2320212

<https://www.phoenixcontact.com/in/products/2320212>

	Static to
--	-----------

Signal output: Switching output

Signalization designation	Alarm
Status display	LED
Note on status display	Static to
Color	red
Note on status display	Static to

Signal output: Switching output

Signalization designation	Battery charge
Status display	LED bar graph
Note on status display	dynamic
Color	green/red
Note on status display	dynamic

Signal output: Switching output

Signalization designation	Battery mode
Status display	LED
Note on status display	Static to
Color	yellow
Note on status display	Static to

Electrical properties

Insulation voltage input/output	500 V DC
Insulation voltage input, output / housing	750 V DC

Product properties

Product type	DC UPS
Product family	QUINT USV
IQ technology	Yes
MTBF (IEC 61709, SN 29500)	> 500000 h (25 °C) > 500000 h (40 °C)

Insulation characteristics

Protection class	III
------------------	-----

Life expectancy (electrolytic capacitors)

Time	316800 h
------	----------

Dimensions

Width	35 mm
Height	130 mm
Depth	125 mm

Installation dimensions

Installation distance right/left	5 mm / 5 mm
----------------------------------	-------------

QUINT-UPS/24DC/24DC/5 - Uninterruptible power supply



2320212

<https://www.phoenixcontact.com/in/products/2320212>

Installation distance top/bottom	50 mm / 50 mm
----------------------------------	---------------

Alternative assembly

Width	123 mm
Height	130 mm
Depth	39 mm

Mounting

Mounting type	DIN rail mounting
Assembly instructions	alignable: horizontal 5 mm, vertical 50 mm
Mounting position	horizontal DIN rail NS 35, EN 60715

Material specifications

Color	aluminium
Housing material	Metal
Type of housing	Aluminum (AlMg3)
Hood version	Galvanized sheet steel, free from chrome (VI)

Environmental and real-life conditions

Ambient conditions

Degree of protection	IP20
Ambient temperature (operation)	-25 °C ... 70 °C
Ambient temperature (storage/transport)	-40 °C ... 85 °C
Climatic class	3K3 (in acc. with EN 60721)
Max. permissible relative humidity (operation)	≤ 95 % (25 °C, non-condensing)
Shock	18 ms, 30g, in each space direction (according to IEC 60068-2-27)
Vibration (operation)	< 15 Hz, amplitude ±2.5 mm (according to IEC 60068-2-6) 15 Hz ... 150 Hz, 2.3g t _v = 90 min.

Standards and regulations

Rail applications	EN 50121-4
Standard – Electronic equipment for use in electrical power installations and their assembly into electrical power installations	EN 50178/VDE 0160 (PELV)
Standard - Electrical safety	EN 60950-1/VDE 0805 (SELV)

Approvals

UL approvals	UL Listed UL 508
	UL/C-UL Recognized UL 60950-1
	UL ANSI/ISA-12.12.01 Class I, Division 2, Groups A, B, C, D (Hazardous Location)

EMC data

Low Voltage Directive	Conformance with Low Voltage Directive 2014/35/EC
EMC requirements for noise emission	EN 61000-6-3
	EN 61000-6-4

QUINT-UPS/24DC/24DC/5 - Uninterruptible power supply



2320212

<https://www.phoenixcontact.com/in/products/2320212>

EMC requirements for noise immunity	EN 61000-6-1
	EN 61000-6-2
Electromagnetic compatibility	Conformance with EMC Directive 2014/30/EU

Electrostatic discharge

Standards/regulations	EN 61000-4-2
-----------------------	--------------

Electrostatic discharge

Contact discharge	8 kV (Test Level 4)
Discharge in air	15 kV (Test Level 4)
Comments	Criterion A

Electromagnetic HF field

Standards/regulations	EN 61000-4-3
-----------------------	--------------

Electromagnetic HF field

Frequency range	80 MHz ... 1 GHz
Test field strength	20 V/m
Frequency range	1 GHz ... 2 GHz
Test field strength	10 V/m
Frequency range	2 GHz ... 3 GHz
Test field strength	3 V/m
Comments	Criterion A

Fast transients (burst)

Standards/regulations	EN 61000-4-4
-----------------------	--------------

Fast transients (burst)

Input	2 kV (Test Level 3 - asymmetrical)
Output	2 kV (Test Level 3 - asymmetrical)
Signal	2 kV (Test Level 4 - asymmetrical)
Comments	Criterion A

Surge voltage load (surge)

Standards/regulations	EN 61000-4-5
Input	1 kV (Test Level 2 - symmetrical)
	2 kV (Test Level 3 - asymmetrical)
Output	1 kV (Test Level 2 - symmetrical)
	2 kV (Test Level 3 - asymmetrical)
Signal	1 kV (Test Level 2 - asymmetrical)
Comments	Criterion A

Conducted interference

Standards/regulations	EN 61000-4-6
-----------------------	--------------

Conducted interference

I/O/S	asymmetrical
Frequency range	0.15 MHz ... 80 MHz

QUINT-UPS/24DC/24DC/5 - Uninterruptible power supply



2320212

<https://www.phoenixcontact.com/in/products/2320212>

Comments	Criterion A
Voltage	10 V (Test Level 3)

Emitted interference

Standards/regulations	EN 61000-6-3
Radio interference voltage in acc. with EN 55011	EN 55011 (EN 55022) Class B, area of application: Industry and residential
Emitted radio interference in acc. with EN 55011	EN 55011 (EN 55022) Class B, area of application: Industry and residential

Criteria

Criterion A	Normal operating behavior within the specified limits.
Criterion B	Temporary impairment to operational behavior that is corrected by the device itself.

QUINT-UPS/24DC/24DC/5 - Uninterruptible power supply

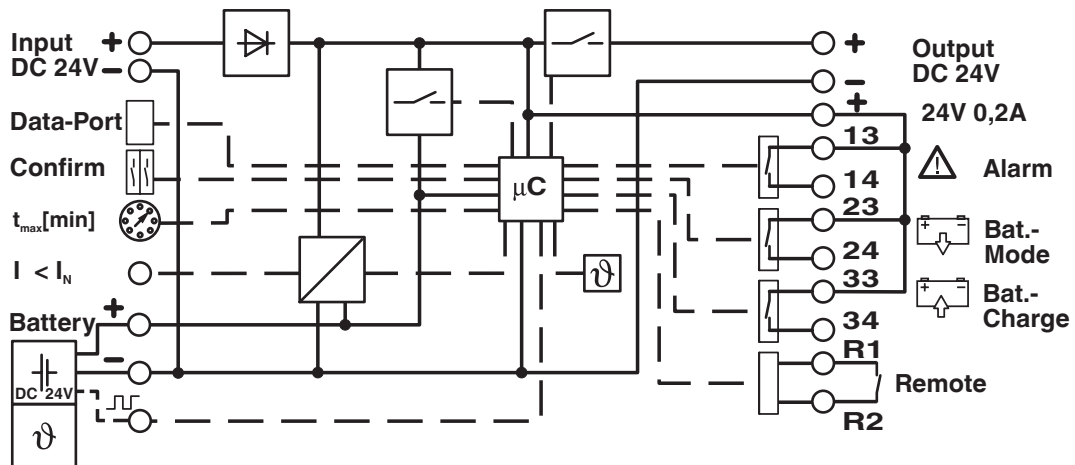


2320212

<https://www.phoenixcontact.com/in/products/2320212>

Drawings

Block diagram



QUINT-UPS/24DC/24DC/5 - Uninterruptible power supply



2320212

<https://www.phoenixcontact.com/in/products/2320212>

Approvals



cUL Recognized
Approval ID: FILE E 211944



UL Recognized
Approval ID: FILE E 211944



EAC
Approval ID: EAC-Zulassung



LR
Approval ID: LR22136091TA



BV
Approval ID: 41516/B0 BV



EAC
Approval ID: RU S-DE.BL08.W.00764



UL Listed
Approval ID: FILE E 123528



cUL Listed
Approval ID: FILE E 123528



EAC
Approval ID: RU-DE.B.00184/20



KC
Approval ID: R-R-PCK-2320212



cUL Listed
Approval ID: FILE E 199827



UL Listed
Approval ID: FILE E 199827

QUINT-UPS/24DC/24DC/5 - Uninterruptible power supply



2320212

<https://www.phoenixcontact.com/in/products/2320212>

QUINT-UPS/24DC/24DC/5 - Uninterruptible power supply



2320212

<https://www.phoenixcontact.com/in/products/2320212>

Classifications

ECLASS

ECLASS-11.0	27040705
ECLASS-13.0	27040705
ECLASS-12.0	27040705

ETIM

ETIM 8.0	EC000382
----------	----------

UNSPSC

UNSPSC 21.0	39121000
-------------	----------

QUINT-UPS/24DC/24DC/5 - Uninterruptible power supply



2320212

<https://www.phoenixcontact.com/in/products/2320212>

Environmental Product Compliance

REACH SVHC	Lead 7439-92-1
China RoHS	Environmentally Friendly Use Period = 25;
	For information on hazardous substances, refer to the manufacturer's declaration available under "Downloads"

QUINT-UPS/24DC/24DC/5 - Uninterruptible power supply



2320212

<https://www.phoenixcontact.com/in/products/2320212>

Accessories

UPS-BAT/PB/24DC/1.2AH - Energy storage

1274520

<https://www.phoenixcontact.com/in/products/1274520>



Energy storage, VRLA-AGM, 24 V DC, 1.2 Ah, automatic detection and communication with QUINT UPS-IQ

UPS-BAT/PB/24DC/4AH - Energy storage

1274117

<https://www.phoenixcontact.com/in/products/1274117>



Energy storage, VRLA-AGM, 24 V DC, 4 Ah, automatic detection and communication with QUINT UPS-IQ

QUINT-UPS/24DC/24DC/5 - Uninterruptible power supply



2320212

<https://www.phoenixcontact.com/in/products/2320212>

UPS-BAT/PB/24DC/7AH - Energy storage

1274118

<https://www.phoenixcontact.com/in/products/1274118>



Energy storage, VRLA-AGM, 24 V DC, 7 Ah, automatic detection and communication with QUINT UPS-IQ

UPS-BAT/PB/24DC/12AH - Energy storage

1274119

<https://www.phoenixcontact.com/in/products/1274119>



Energy storage, VRLA-AGM, 24 V DC, 12 Ah, automatic detection and communication with QUINT UPS-IQ

QUINT-UPS/24DC/24DC/5 - Uninterruptible power supply



2320212

<https://www.phoenixcontact.com/in/products/2320212>

UPS-BAT/PB/24DC/20AH - Energy storage

1348516

<https://www.phoenixcontact.com/in/products/1348516>



Energy storage, VRLA-AGM, 24 V DC, 20 Ah, automatic detection and communication with QUINT UPS-IQ

UPS-BAT/PB/24DC/40AH - Energy storage

1354641

<https://www.phoenixcontact.com/in/products/1354641>



Energy storage, VRLA-AGM, 24 V DC, 40 Ah, automatic detection and communication with QUINT UPS-IQ

QUINT-UPS/24DC/24DC/5 - Uninterruptible power supply



2320212

<https://www.phoenixcontact.com/in/products/2320212>

UPS-BAT/LI/24DC/128WH - Energy storage

1396415

<https://www.phoenixcontact.com/in/products/1396415>



Energy storage, Lithium-Ion (LiFePO₄), 24 V DC, 128 Wh. For use with a QUINT UPS for ambient temperatures (charging) of 0°C ... 60°C and a maximum charging current of 5 A. For charging below 0°C, please note the permissible UPS V/C level.

QUINT-PS-ADAPTERS7/1 - Mounting adapter

2938196

<https://www.phoenixcontact.com/in/products/2938196>

Assembly adapter for QUINT-PS... power supply on S7-300 rail



QUINT-UPS/24DC/24DC/5 - Uninterruptible power supply



2320212

<https://www.phoenixcontact.com/in/products/2320212>

UWA 182/52 - Mounting adapter

2938235

<https://www.phoenixcontact.com/in/products/2938235>

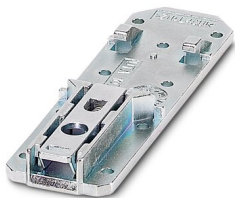


Universal wall adapter for securely mounting the device in the event of strong vibrations. The device is screwed directly onto the mounting surface. The universal wall adapter is attached on the top/bottom.

UTA 107/30 - Mounting adapter

2320089

<https://www.phoenixcontact.com/in/products/2320089>



Universal DIN rail adapter

QUINT-UPS/24DC/24DC/5 - Uninterruptible power supply



2320212

<https://www.phoenixcontact.com/in/products/2320212>

IFS-USB-DATACABLE - Data cable

2320500

<https://www.phoenixcontact.com/in/products/2320500>

Used for communicating between industrial PCs and Phoenix Contact devices with the 12-pos. IFS data port, such as QUINT UPS or TRIO UPS.



IFS-RS232-DATACABLE - Data cable

2320490

<https://www.phoenixcontact.com/in/products/2320490>

Data cable for communication between devices with a D-SUB 9 RS-232 connection and Phoenix Contact devices with the 12-pos. IFS data port such as QUINT UPS-IQ or TRIO UPS.



QUINT-UPS/24DC/24DC/5 - Uninterruptible power supply



2320212

<https://www.phoenixcontact.com/in/products/2320212>

IFS-CONFSTICK - Memory block

2986122

<https://www.phoenixcontact.com/in/products/2986122>



Multi-functional memory block for the INTERFACE system for easy storage and backup of the configuration.

IFS-CONFSTICK-L - Memory block

2901103

<https://www.phoenixcontact.com/in/products/2901103>



Multi-functional memory block with handle for the INTERFACE system; for easy storage and back up of the configuration.

Phoenix Contact 2023 © - all rights reserved
<https://www.phoenixcontact.com>

PHOENIX CONTACT (I) Pvt. Ltd.
A-58/2, Okhla Industrial Area, Phase - II, New Delhi-110 020

+91.1275.71420
info@phoenixcontact.co.in