

SACB-8/ 8-L- 5,0PUR - Distributor box



1695168

<https://www.phoenixcontact.com/in/products/1695168>

Please be informed that the data shown in this PDF document is generated from our online catalog. Please find the complete data in the user documentation. Our general terms of use for downloads are valid.



Distributor box, connection method: M12 socket Plastic, number of slots: 8, number of positions: 4, coding: A, slot assignment: single, status display: Yes, PNP; master cable connection: Fixed connection 180°, PUR/PVC, cable length: 5 m, shielding: no

Your advantages

- Safety in the field, thanks to robust housing and high degree of protection
- Convenient: increased machine availability thanks to quick and easy diagnostics

Commercial data

Item number	1695168
Packing unit	1 pc
Minimum order quantity	1 pc
Note	Made to order (non-returnable)
Sales key	BF3
Product key	BF3CBA
Catalog page	Page 114 (PC-2009)
GTIN	4017918177645
Weight per piece (including packing)	670.4 g
Weight per piece (excluding packing)	670.4 g
Customs tariff number	85444290
Country of origin	PL

SACB-8/ 8-L- 5,0PUR - Distributor box



1695168

<https://www.phoenixcontact.com/in/products/1695168>

Technical data

Product properties

Product type	Distributor box
Number of positions	4
Number of slots	8
Coding	A
LED	yes

System properties

Local diagnostics

Monitored function	Supply voltage
Optical representation	Green LED

Electrical properties

Max. operating voltage U_{max}	30 V DC
Local diagnostics	Supply voltage Green LED
	Status display I/O Yellow LED
Nominal voltage U_N	24 V DC
Rated current, total	12 A
Max. current carrying capacity per path	2 A
Current carrying capacity per slot	4 A

Connection data

Conductor connection

Sensor/actuator connection system	M12 socket
Tightening torque slot sensor/actuator cable	0.4 Nm

Pin assignment

Slot/position = Wire color or connection	1 / 4 (A) = WH
	2 / 4 (A) = GN
	3 / 4 (A) = YE
	4 / 4 (A) = GY
	5 / 4 (A) = PK
	6 / 4 (A) = RD
	7 / 4 (A) = BK
	8 / 4 (A) = VT
	1-8 / 1 (+ 24 V) = BN
	1-8 / 3 (0 V) = BU
1-8 / 5 (PE) = GNYE	

Signaling

Status display present	Yes
------------------------	-----

SACB-8/ 8-L- 5,0PUR - Distributor box

1695168

<https://www.phoenixcontact.com/in/products/1695168>

Dimensions

Dimensional drawing	
Width	54 mm
Height	19 mm
Length	127 mm

Material specifications

Material Threaded sleeve	PA
Material Housing	PA
Flammability rating according to UL 94	V0
Seal material O-ring	NBR
Contact material	CuSn
Contact surface material	Ni/Au
Contact carrier material	PA

Cable/line

Cable length	5 m
--------------	-----

PUR/PVC black [PUR]

Dimensional drawing	
Cable weight	107.4 kg/km
UL AWM Style	20549 (80°C/300 V)
Number of positions	11
Shielded	no
Cable type	PUR/PVC black [PUR]
Conductor structure signal line	19x 0.15 mm
AWG signal line	22
Conductor cross section	8x 0.34 mm ² (Signal line) 3x 0.75 mm ² (power line)

SACB-8/ 8-L- 5,0PUR - Distributor box



1695168

<https://www.phoenixcontact.com/in/products/1695168>

Wire diameter incl. insulation	1.3 mm ±0.1 mm (Signal line)
	1.8 mm ±0.1 mm (power line)
External cable diameter	8.50 mm ±0.2 mm
Outer sheath, material	PUR
External sheath, color	black RAL 9005
Conductor material	Bare Cu litz wires
Material wire insulation	PVC
Single wire, color	brown, blue, green/yellow, white, green, yellow, gray, pink, red, black, violet
Inner sheath thickness	≥ 0.15 mm
Thickness, outer sheath	≥ 0.38 mm
Overall twist	Wires twisted in layers
Max. conductor resistance	≤ 53 Ω/km (Signal line)
	≤ 26 Ω/km (power line)
Insulation resistance	≥ 5 MΩ*km
Nominal voltage, cable	300 V AC
Test voltage Core/Core	2000 V (50 Hz, 5 min.)
Minimum bending radius, fixed installation	7.5 x D
Minimum bending radius, flexible installation	10 x D
Smallest bending radius, fixed installation	64 mm
Smallest bending radius, movable installation	85 mm
Max. bending cycles	1500000
Minimum bending radius, drag chain applications	10 x D
Traversing path	2 m
Traversing rate	2 m/s
Flame resistance	DIN EN 50265
Resistance to oil	according to VDE 0472 Part 803
Other resistance	Highly resistant to acids, alkaline solutions and solvents
Special properties	Silicone-free
Ambient temperature (operation)	-40 °C ... 90 °C (cable, fixed installation)
	-5 °C ... 80 °C (Cable, flexible installation)

Environmental and real-life conditions

Ambient conditions

Degree of protection	IP65
	IP67
Ambient temperature (operation)	-25 °C ... 75 °C

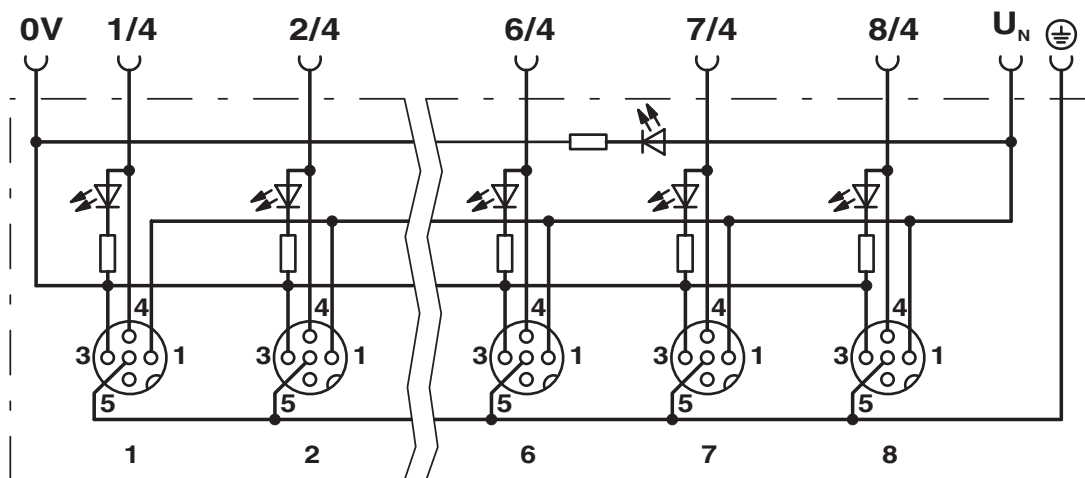
SACB-8/ 8-L- 5,0PUR - Distributor box

1695168

<https://www.phoenixcontact.com/in/products/1695168>

Drawings

Circuit diagram

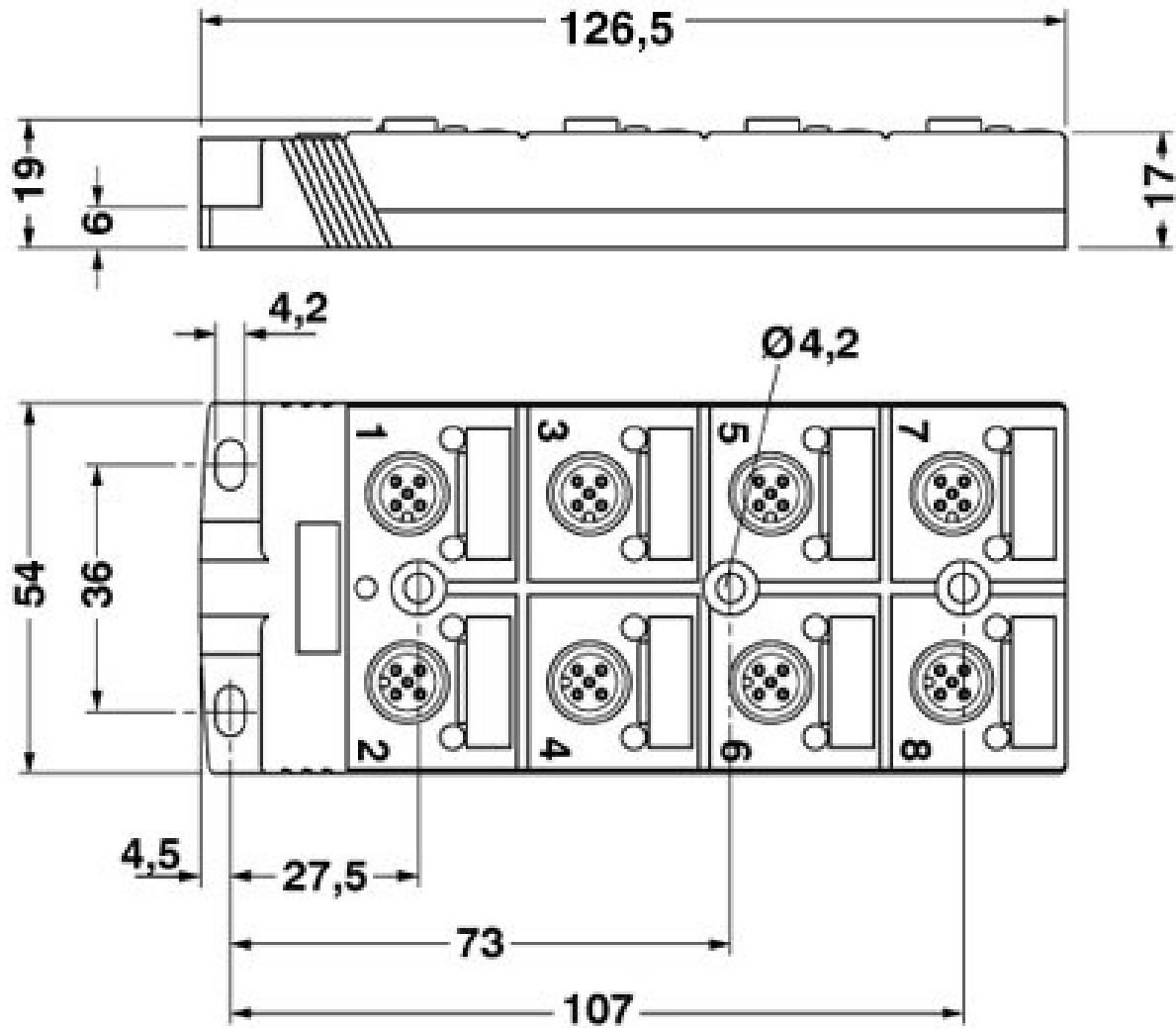


SACB-8/ 8-L- 5,0PUR - Distributor box

1695168

<https://www.phoenixcontact.com/in/products/1695168>

Dimensional drawing



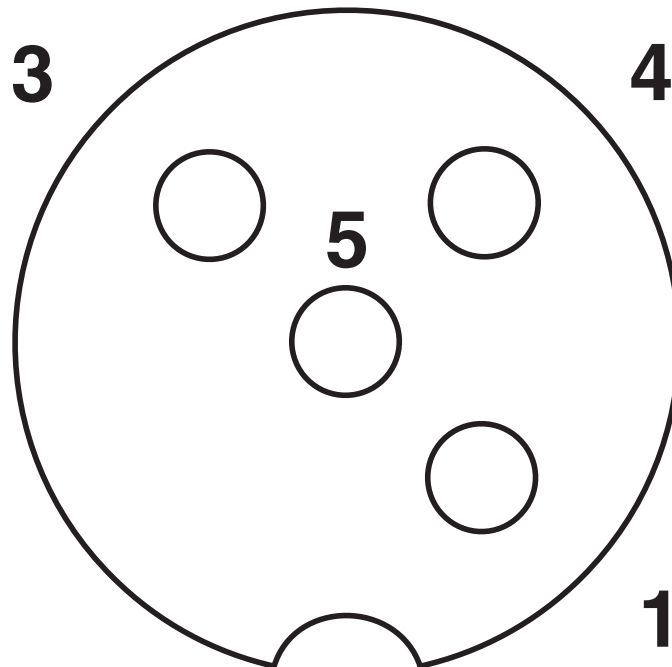
SACB-8/ 8-L- 5,0PUR - Distributor box

1695168

<https://www.phoenixcontact.com/in/products/1695168>



Schematic diagram



M12 slot, socket, 4-pos.

SACB-8/ 8-L- 5,0PUR - Distributor box



1695168

<https://www.phoenixcontact.com/in/products/1695168>

Classifications

ECLASS

ECLASS-11.0	27440108
ECLASS-13.0	27440108

SACB-8/ 8-L- 5,0PUR - Distributor box



1695168

<https://www.phoenixcontact.com/in/products/1695168>

Environmental product compliance

EU REACH SVHC

REACH candidate substance (CAS No.)	No substance above 0.1 wt%
-------------------------------------	----------------------------

SACB-8/ 8-L- 5,0PUR - Distributor box

1695168

<https://www.phoenixcontact.com/in/products/1695168>

Accessories

PROT-M12 - Screw plug

1680539

<https://www.phoenixcontact.com/in/products/1680539>



An M12 screw plug for the unoccupied M12 sockets of the sensor/actuator cable, boxes and flush-type connectors

ZBN 18:UNBEDRUCKT - Zack marker strip

2809128

<https://www.phoenixcontact.com/in/products/2809128>



Zack marker strip, Strip, white, unlabeled, can be labeled with: CMS-P1-PLOTTER, PLOTMARK, mounting type: snapped, for terminal block width: 18 mm, lettering field size: 18 x 5 mm, Number of individual labels: 5

SACB-8/ 8-L- 5,0PUR - Distributor box

1695168

<https://www.phoenixcontact.com/in/products/1695168>



TSD 04 SAC - Torque screwdriver

1208429

<https://www.phoenixcontact.com/in/products/1208429>



Torque screwdriver, with preset torque of 0.4 Nm and 4 mm hexagonal drive for M12 connectors

SAC BIT M12-D15 - Tool

1208432

<https://www.phoenixcontact.com/in/products/1208432>



Nut for assembling sensor/actuator cables with M12 connector and M12 connectors for assembly, with a knurl diameter of 15 mm, for 4 mm hexagonal drive

SACB-8/ 8-L- 5,0PUR - Distributor box

1695168

<https://www.phoenixcontact.com/in/products/1695168>



SACC BIT M12-D20 - Tool

1208445

<https://www.phoenixcontact.com/in/products/1208445>

Nut for assembling M12 connectors for assembly with a knurl diameter of 20 mm, for 4 mm hexagonal drive



Phoenix Contact 2024 © - all rights reserved

<https://www.phoenixcontact.com>

PHOENIX CONTACT (I) Pvt. Ltd.

A-58/2, Okhla Industrial Area, Phase - II, New Delhi-110 020

+91.1275.71420

info@phoenixcontact.co.in