

SACB-6/ 6-L-C - Distributor box



1692365

<https://www.phoenixcontact.com/in/products/1692365>

Please be informed that the data shown in this PDF document is generated from our online catalog. Please find the complete data in the user documentation. Our general terms of use for downloads are valid.



Distributor box, connection method: M12 socket Plastic, number of slots: 6, number of positions: 4, coding: A, slot assignment: single, status display: Yes, PNP; master cable connection: Pluggable screw connection 180°, shielding: no

Your advantages

- Safety in the field, thanks to robust housing and high degree of protection
- Convenient: increased machine availability thanks to quick and easy diagnostics
- Flexible: distributor box with connector hood for on-site assembly

Commercial data

Item number	1692365
Packing unit	1 pc
Minimum order quantity	1 pc
Sales key	02
Product key	BF3CBD
Catalog page	Page 115 (PC-2009)
GTIN	4017918178000
Weight per piece (including packing)	175.1 g
Weight per piece (excluding packing)	136.6 g
Country of origin	PL

SACB-6/ 6-L-C - Distributor box



1692365

<https://www.phoenixcontact.com/in/products/1692365>

Technical data

Product properties

Product type	Distributor box
Number of positions	4
Number of slots	6
Coding	A
LED	yes

System properties

Local diagnostics

Monitored function	Supply voltage per module
Optical representation	Green LED

Electrical properties

Max. operating voltage U_{max}	30 V DC
Local diagnostics	Supply voltage per module Green LED
	Status display I/O Yellow LED
Nominal voltage U_N	24 V DC
Rated current, total	10 A
	2x 8 A (For electrical isolation)
Max. current carrying capacity per path	2 A
Current carrying capacity per slot	4 A

Connection data

Conductor connection

Sensor/actuator connection system	M12 socket
Conductor cross section Flexible signal line	0.14 mm ² ... 1.5 mm ²
Conductor cross section Flexible power supply	0.14 mm ² ... 1.5 mm ²
Connection cross section AWG Flexible signal line	26 ... 16
Connection cross section AWG Flexible power supply	26 ... 16
Stripping length Signal line	7 mm
Tightening torque slot sensor/actuator cable	0.4 Nm
Tightening torque, union nut	2.5 Nm

Pin assignment

Slot/position = Wire color or connection	1 / 4 (A) = 1 / 4
	2 / 4 (A) = 2 / 4
	3 / 4 (A) = 3 / 4
	4 / 4 (A) = 4 / 4
	5 / 4 (A) = 5 / 4
	6 / 4 (A) = 6 / 4
	1-6 / 1 (+ 24 V) = U_N

SACB-6/ 6-L-C - Distributor box

1692365

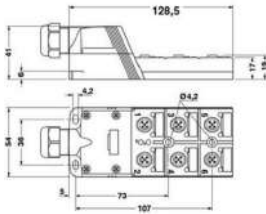
<https://www.phoenixcontact.com/in/products/1692365>

	1-6 / 3 (0 V) = 0 V
	1-6 / 5 (PE) = PE

Signaling

Status display present	Yes
------------------------	-----

Dimensions

Dimensional drawing	
Width	54 mm
Height	41 mm
Length	128.5 mm

Material specifications

Material Threaded sleeve	PA
Material Housing	PA
Flammability rating according to UL 94	V0
Seal material O-ring	NBR
Contact material	CuSn
Contact surface material	Ni/Au
Contact carrier material	PA
Material of contact, master cable side	CU alloy
Material of the contact carrier on the master cable side	PA 6.6 V0
Material of contact surface, master cable side	Sn

Cable/line

External cable diameter	7 mm ... 12 mm
Connection method	Pluggable screw connection

Environmental and real-life conditions

Ambient conditions

Degree of protection	IP65
	IP67
Ambient temperature (operation)	-25 °C ... 75 °C

SACB-6/ 6-L-C - Distributor box

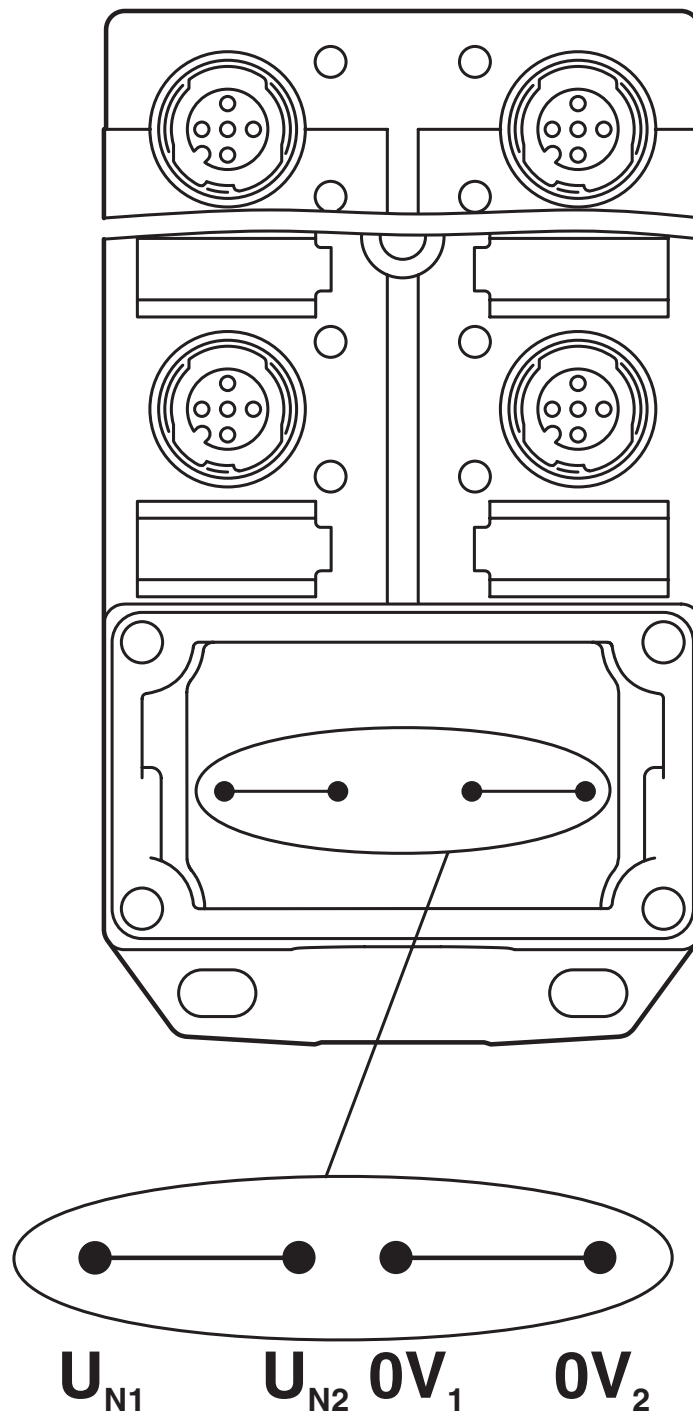
1692365

<https://www.phoenixcontact.com/in/products/1692365>



Drawings

Schematic diagram



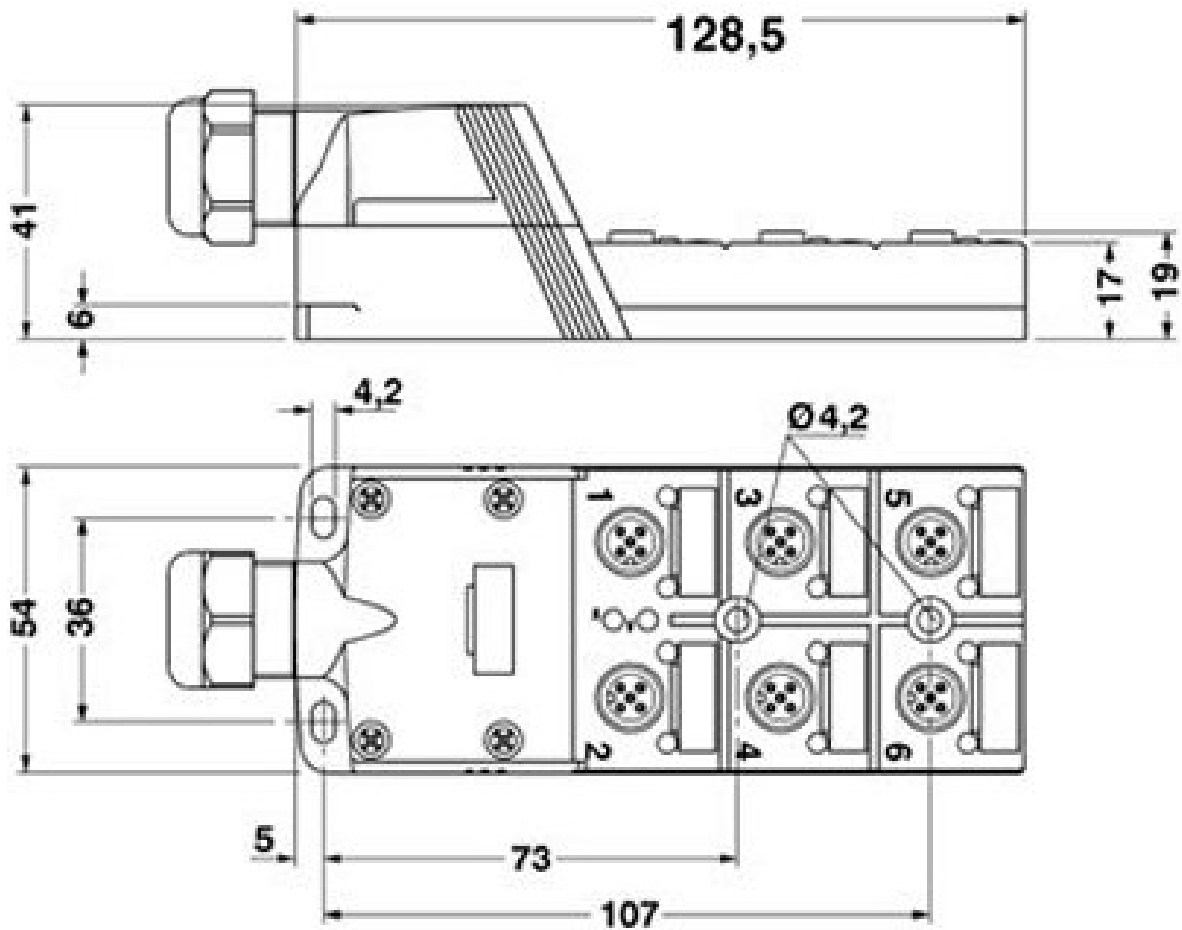
Potential U_{N1} and U_{N2} bridged. Potential assignment: $U_{N1} = U_{N2} =$ slots 1,2,3,4,5,6.

SACB-6/ 6-L-C - Distributor box

1692365

<https://www.phoenixcontact.com/in/products/1692365>

Dimensional drawing

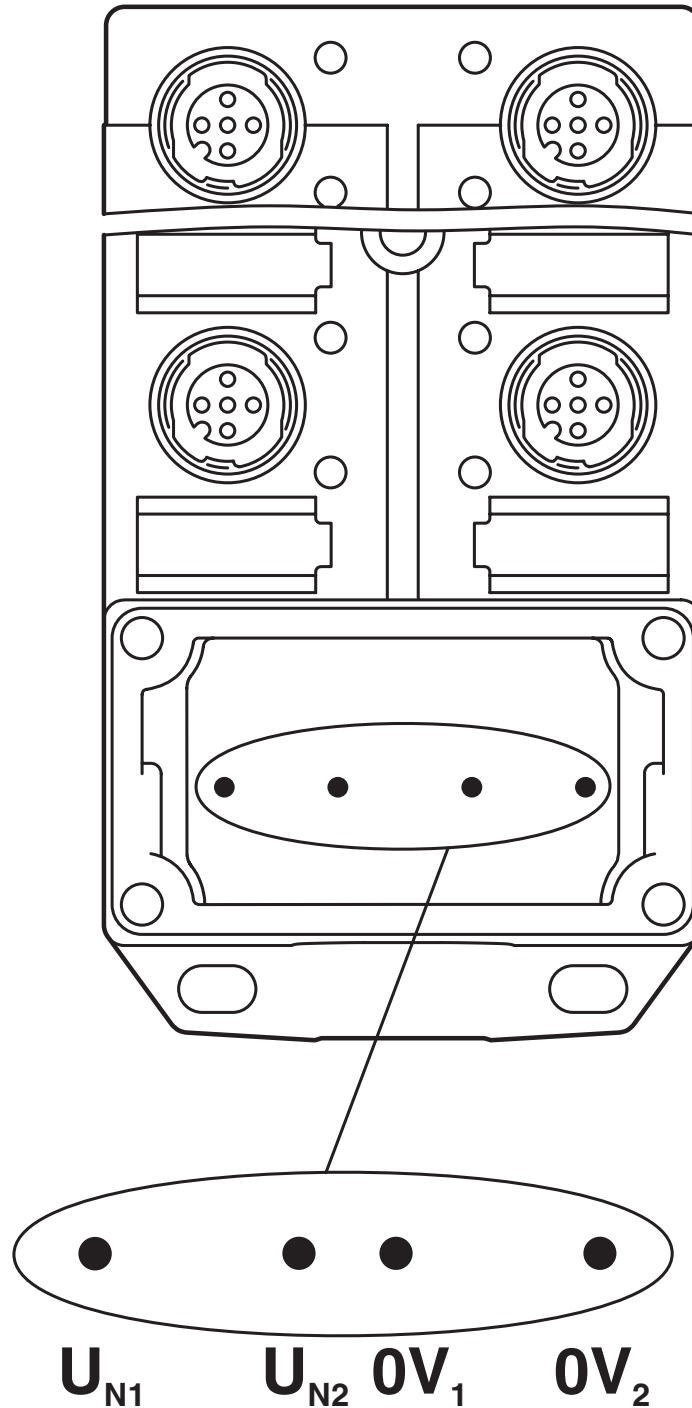


SACB-6/ 6-L-C - Distributor box

1692365

<https://www.phoenixcontact.com/in/products/1692365>

Schematic diagram



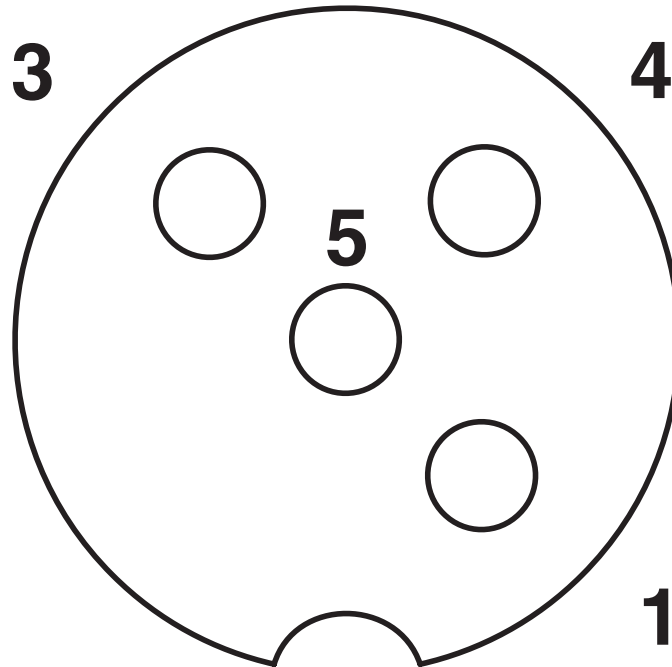
Electrically isolated. Potential assignment: U_{N1} = slots 1,3,5 and U_{N2} = slots 2,4,6.

SACB-6/ 6-L-C - Distributor box

1692365

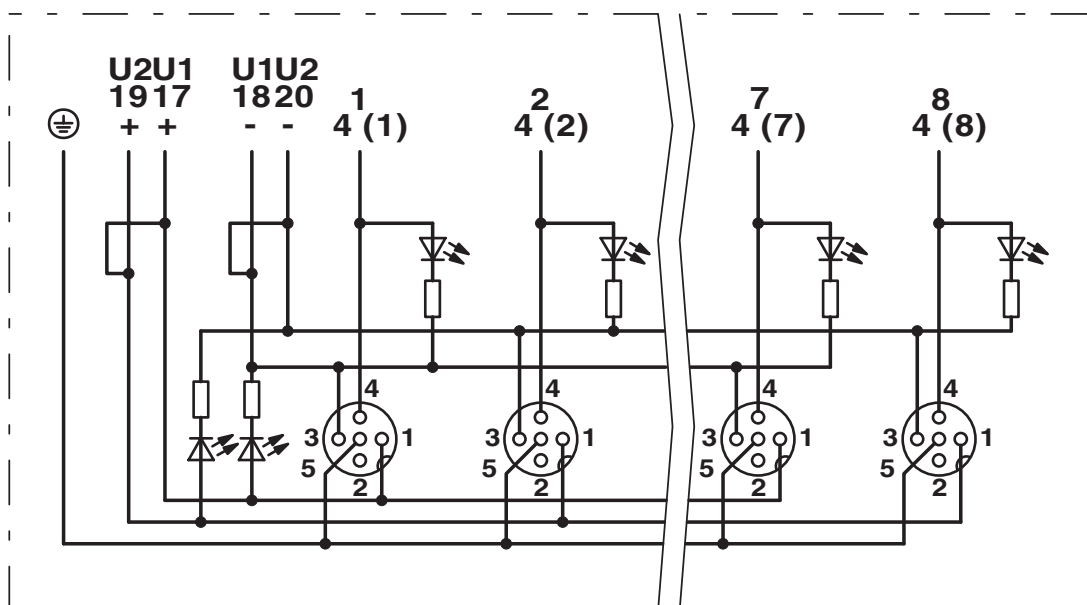
<https://www.phoenixcontact.com/in/products/1692365>

Schematic diagram



M12 slot, socket, 4-pos.

Circuit diagram



SACB-6/ 6-L-C - Distributor box

1692365

<https://www.phoenixcontact.com/in/products/1692365>



Classifications

ECLASS

ECLASS-11.0	27440111
ECLASS-13.0	27440111

SACB-6/ 6-L-C - Distributor box

1692365

<https://www.phoenixcontact.com/in/products/1692365>



Environmental product compliance

EU REACH SVHC

REACH candidate substance (CAS No.)	No substance above 0.1 wt%
-------------------------------------	----------------------------

SACB-6/ 6-L-C - Distributor box

1692365

<https://www.phoenixcontact.com/in/products/1692365>



Accessories

SACB-C-H180 8/16 - Connector hood

1695977

<https://www.phoenixcontact.com/in/products/1695977>



Connector hood with integrated connector, for M12 sensor/actuator boxes with plastic thread and plug-in screw connection, for 4, 6 or 8 slots

PROT-M12 - Screw plug

1680539

<https://www.phoenixcontact.com/in/products/1680539>



An M12 screw plug for the unoccupied M12 sockets of the sensor/actuator cable, boxes and flush-type connectors

SACB-6/ 6-L-C - Distributor box

1692365

<https://www.phoenixcontact.com/in/products/1692365>



ZBN 18:UNBEDRUCKT - Zack marker strip

2809128

<https://www.phoenixcontact.com/in/products/2809128>



Zack marker strip, Strip, white, unlabeled, can be labeled with: CMS-P1-PLOTTER, PLOTMARK, mounting type: snapped, for terminal block width: 18 mm, lettering field size: 18 x 5 mm, Number of individual labels: 5

SACB- 6X0,34/ 3X0,75-50,0 PUR - Master cable ring

1503331

<https://www.phoenixcontact.com/in/products/1503331>



Master cable for sensor/actuator boxes, with PE conductor, unshielded, material PUR/PVC, 9-pos., 6 x 0.34 mm² and 3 x 0.75 mm²

SACB-6/ 6-L-C - Distributor box

1692365

<https://www.phoenixcontact.com/in/products/1692365>



TSD 04 SAC - Torque screwdriver

1208429

<https://www.phoenixcontact.com/in/products/1208429>



Torque screwdriver, with preset torque of 0.4 Nm and 4 mm hexagonal drive for M12 connectors

SAC BIT M12-D15 - Tool

1208432

<https://www.phoenixcontact.com/in/products/1208432>



Nut for assembling sensor/actuator cables with M12 connector and M12 connectors for assembly, with a knurl diameter of 15 mm, for 4 mm hexagonal drive

SACB-6/ 6-L-C - Distributor box

1692365

<https://www.phoenixcontact.com/in/products/1692365>



SACC BIT M12-D20 - Tool

1208445

<https://www.phoenixcontact.com/in/products/1208445>

Nut for assembling M12 connectors for assembly with a knurl diameter of 20 mm, for 4 mm hexagonal drive



SZK PZ2 VDE - Screwdriver

1206463

<https://www.phoenixcontact.com/in/products/1206463>

Screwdriver, PZ crosshead, VDE insulated, size: PZ 2 x 100 mm, 2-component grip, with non-slip grip



Phoenix Contact 2024 © - all rights reserved
<https://www.phoenixcontact.com>

PHOENIX CONTACT (I) Pvt. Ltd.
A-58/2, Okhla Industrial Area, Phase - II, New Delhi-110 020

+91.1275.71420
info@phoenixcontact.co.in