

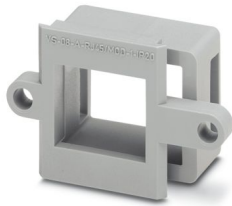
VS-08-A-RJ45/MOD-1-IP20 - Panel-mount frame



1689433

<https://www.phoenixcontact.com/in/products/1689433>

Please be informed that the data shown in this PDF document is generated from our online catalog. Please find the complete data in the user documentation. Our general terms of use for downloads are valid.



RJ45 panel mounting frame, 1x, IP20, for modular socket inserts (Keystone), without mounting screws

Commercial data

Item number	1689433
Packing unit	5 pc
Minimum order quantity	5 pc
Sales key	ABN
Product key	ABNADA
Catalog page	Page 374 (C-2-2019)
GTIN	4017918910334
Weight per piece (including packing)	3.41 g
Weight per piece (excluding packing)	3.29 g
Customs tariff number	85389099
Country of origin	DE

VS-08-A-RJ45/MOD-1-IP20 - Panel-mount frame



1689433

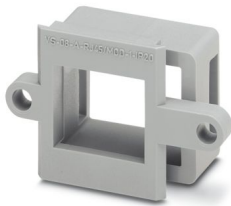
<https://www.phoenixcontact.com/in/products/1689433>

Set consists of

VS-08-A-RJ45/MOD-1-IP20 - Panel-mount frame

1689433

<https://www.phoenixcontact.com/in/products/1689433>



RJ45 panel mounting frame, 1x, IP20, for modular socket inserts (Keystone), without mounting screws

VS-08-A-RJ45/MOD-1-IP20 - Panel-mount frame



1689433

<https://www.phoenixcontact.com/in/products/1689433>

Technical data

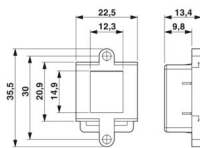
Product properties

Product type	Panel-mount frame
Application	Modular insert
Type	RJ45
Number of positions	8
Connection profile	RJ45
Number of slots	1
Type	RJ45

Data management status

Article revision	00
------------------	----

Dimensions

Dimensional drawing	
Width	35.5 mm
Height	22.5 mm
Depth	13.4 mm

Material specifications

Color	gray
Material	Plastic
Flammability rating according to UL 94	V0
Seal material	NBR
Housing material	Plastic
Housing surface material	PA, light gray
Contact surface material	Au/Ni
Contact carrier material	Polyester GF

Environmental and real-life conditions

Ambient conditions

Degree of protection	IP20
Ambient temperature (operation)	-40 °C ... 80 °C

Mounting

Mounting type	Front mounting
---------------	----------------

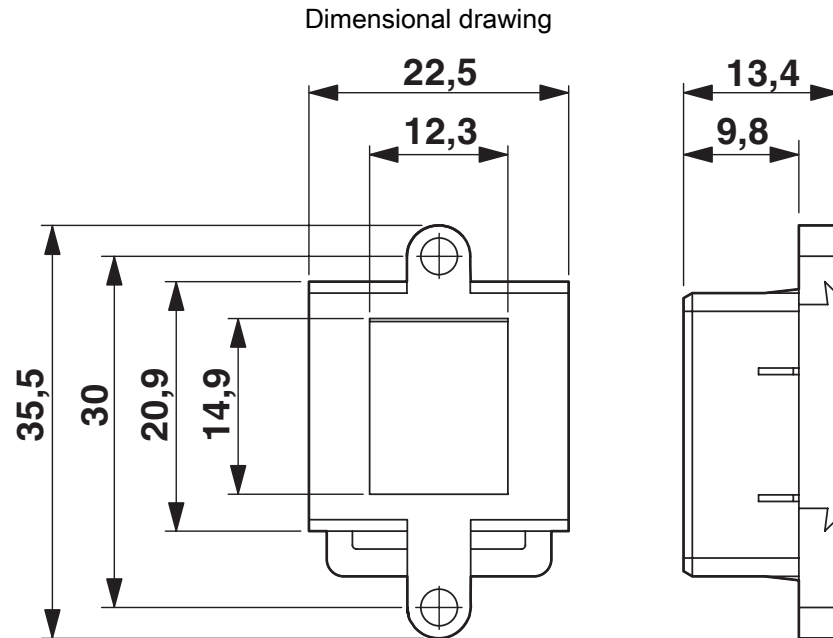
VS-08-A-RJ45/MOD-1-IP20 - Panel-mount frame



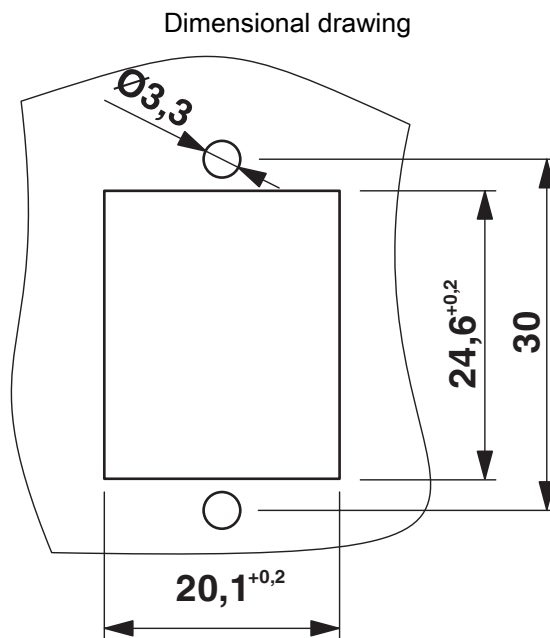
1689433

<https://www.phoenixcontact.com/in/products/1689433>

Drawings



RJ45 panel mounting frame, IP20



Mounting cutout

VS-08-A-RJ45/MOD-1-IP20 - Panel-mount frame



1689433

<https://www.phoenixcontact.com/in/products/1689433>

Classifications

ECLASS

ECLASS-11.0	27440210
ECLASS-12.0	27440210
ECLASS-13.0	27440210

ETIM

ETIM 9.0	EC002310
----------	----------

UNSPSC

UNSPSC 21.0	39121400
-------------	----------

1689433

<https://www.phoenixcontact.com/in/products/1689433>

Environmental product compliance

EU RoHS

Fulfills EU RoHS substance requirements	Yes, No exemptions
---	--------------------

China RoHS

Environment friendly use period (EFUP)	EFUP-E
	No hazardous substances above the limits

EU REACH SVHC

REACH candidate substance (CAS No.)	No substance above 0.1 wt%
-------------------------------------	----------------------------

VS-08-A-RJ45/MOD-1-IP20 - Panel-mount frame



1689433

<https://www.phoenixcontact.com/in/products/1689433>

Accessories

CUC-K-D1ZNI-S/R4GCHP8 - RJ45 coupling

1086108

<https://www.phoenixcontact.com/in/products/1086108>



RJ45 coupling, degree of protection: IP20, number of positions: 8, 10 Gbps, CAT6_A, material: Metal, connection method: Coupling, cable outlet: straight, Keystone design for use with IP20 and IP67 panel mounting frame or integrated directly into the housing panel, Ethernet

Phoenix Contact 2024 © - all rights reserved
<https://www.phoenixcontact.com>

PHOENIX CONTACT (I) Pvt. Ltd.
A-58/2, Okhla Industrial Area, Phase - II, New Delhi-110 020

+91.1275.71420
info@phoenixcontact.co.in