

HC-B 24-I-CT-F - Contact insert



1648348

<https://www.phoenixcontact.com/in/products/1648348>

Please be informed that the data shown in this PDF document is generated from our online catalog. Please find the complete data in the user documentation. Our general terms of use for downloads are valid.



Contact insert, number of positions: 24+PE, size: B24, number of connections per position: 1, Socket, Crimp connection, 500 V, 16 A, 0.5 mm² ... 4 mm², application: Power

Your advantages

- For fast coding with plastic profile
- Shock and vibration-resistant in accordance with DIN EN 61373

Commercial data

Item number	1648348
Packing unit	1 pc
Minimum order quantity	1 pc
Sales key	BF7
Product key	BF7ABC
Catalog page	Page 547 (C-2-2019)
GTIN	4046356092470
Weight per piece (including packing)	76.08 g
Weight per piece (excluding packing)	75.7 g
Customs tariff number	85366990
Country of origin	CN

HC-B 24-I-CT-F - Contact insert



1648348

<https://www.phoenixcontact.com/in/products/1648348>

Technical data

Notes

General	For HEAVYCON ADVANCE and HEAVYCON housing of B24 type, crimp contacts CK 2,5-ED (crimp contacts not included in the scope of supply).
General	Connectors may be operated only when there is no load/voltage.

Mounting

Assembly note	To ensure correct use, installation in housing with IP54 protection or better is required Remove the crimp contact using a screwdriver. The opening for the screwdriver is next to the opening where the conductor is inserted.
---------------	--

Product properties

Product type	Contact insert with a fixed no. of positions
Series	HC-B
Application	Power
Type	B24 B48
Number of positions	24
Connection profile	24+PE
Contact numbering	1 - 24
Number of connections per position	1
Contact material type	turned

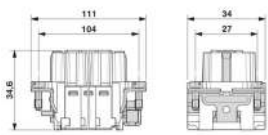
Data management status

Article revision	12
------------------	----

Insulation characteristics

Overvoltage category	III
Degree of pollution	3

Dimensions

Dimensional drawing	
Width	34 mm
Height	34.6 mm
Length	111 mm
Drill hole distance, horizontal	104 mm
Drill hole distance, vertical	27 mm

HC-B 24-I-CT-F - Contact insert



1648348

<https://www.phoenixcontact.com/in/products/1648348>

Mechanical characteristics

Contact diameter	2.5 mm
------------------	--------

Connection data

Connection technology

Connection technology	Crimp connection
Number of connections per position	1
Connection in acc. with standard	IEC / EN

Conductor connection

Conductor cross section	0.5 mm ² ... 4 mm ²
Connection cross section AWG	20 ... 12
Tightening torque	0.8 Nm ... 1.2 Nm (PE connection) 0.5 Nm ... 0.8 Nm (Mounting screws for mounting in the HEAVYCON housing)
Stripping length of the individual wire	7.5 mm

Electrical properties

Rated voltage (III/3)	500 V
Rated surge voltage	6 kV
Rated current	16 A
SCCR	5 kA (UL 2237)

Mechanical properties

Mechanical data

Insertion/withdrawal cycles	≥ 500
-----------------------------	-------

Material specifications

Flammability rating according to UL 94	V0
Contact material	Copper alloy
Contact surface material	Ag (alternatively Au)
Contact carrier material	PC
Standards/regulations	PC: Fire protection in rail vehicles - requirement sets R22, R23, and R24 acc. to DIN EN 45545-2 (Risk level HL1 - HL3)

Environmental and real-life conditions

Ambient conditions

Degree of protection	IP20
Ambient temperature (operation)	-40 °C ... 125 °C (including heating up of contacts)

Standards and regulations

Constructional and testing regulations	DIN EN 61984
	DIN EN 60664
	IEC 60352

HC-B 24-I-CT-F - Contact insert



1648348

<https://www.phoenixcontact.com/in/products/1648348>

Tests	DIN EN 61984
	DIN EN 60664
	IEC 60352

Testing

Standards/regulations	PC: Fire protection in rail vehicles - requirement sets R22, R23, and R24 acc. to DIN EN 45545-2 (Risk level HL1 - HL3)
-----------------------	---

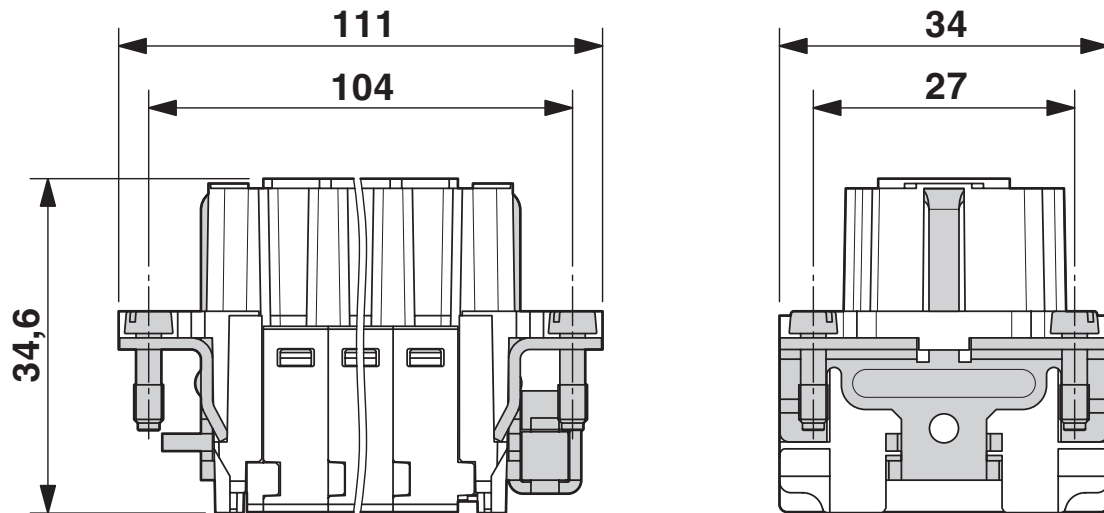
HC-B 24-I-CT-F - Contact insert

1648348

<https://www.phoenixcontact.com/in/products/1648348>

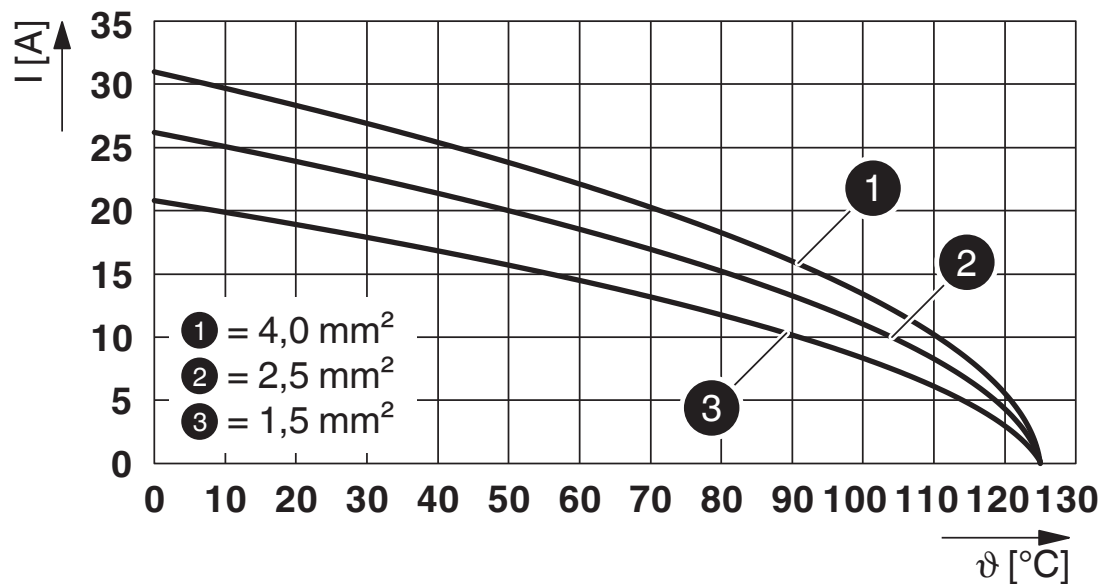
Drawings

Dimensional drawing



Female insert

Diagram



Derating diagram

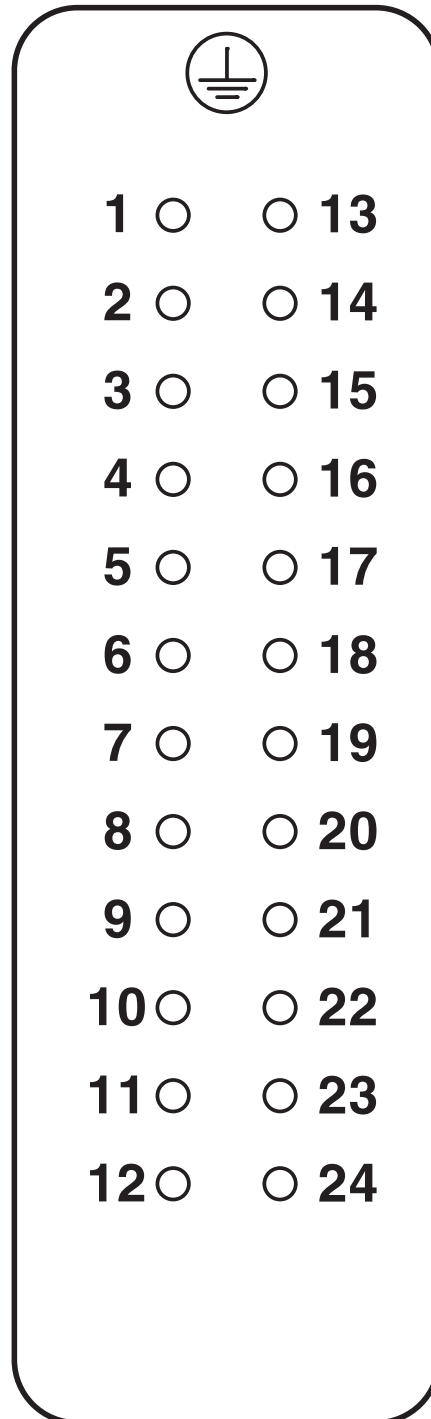
HC-B 24-I-CT-F - Contact insert

1648348

<https://www.phoenixcontact.com/in/products/1648348>



Schematic diagram



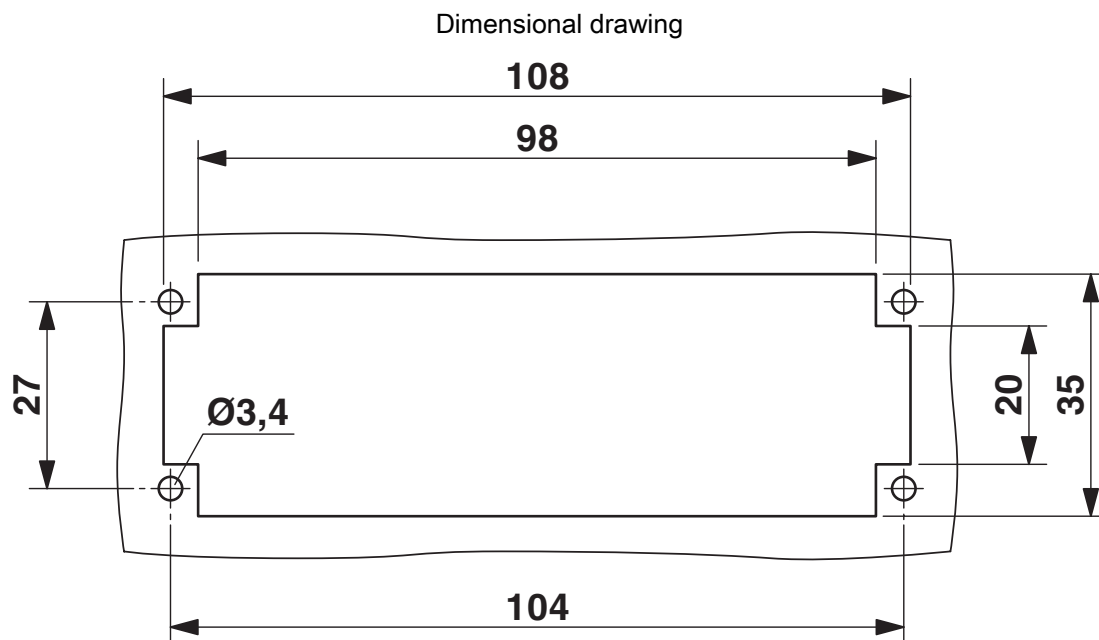
Connector pin assignment, connection side

HC-B 24-I-CT-F - Contact insert



1648348

<https://www.phoenixcontact.com/in/products/1648348>



Mounting cutout when used without housing

HC-B 24-I-CT-F - Contact insert



1648348

<https://www.phoenixcontact.com/in/products/1648348>

Approvals

To download certificates, visit the product detail page: <https://www.phoenixcontact.com/in/products/1648348>

DNV

Approval ID: TAE000037S



CSA

Approval ID: 013631_6233_01

	Nominal voltage U_N	Nominal current I_N	Cross section AWG	Cross section mm^2
	600 V	20 A	20 - 12	-



EAC

Approval ID: RU C-DE.BL08.B.00511



cULus Recognized

Approval ID: E468743

	Nominal voltage U_N	Nominal current I_N	Cross section AWG	Cross section mm^2
	600 V	13 A	-	-



cULus Recognized

Approval ID: E468743

	Nominal voltage U_N	Nominal current I_N	Cross section AWG	Cross section mm^2
	600 V	14 A	-	-

HC-B 24-I-CT-F - Contact insert



1648348

<https://www.phoenixcontact.com/in/products/1648348>

Classifications

ECLASS

ECLASS-11.0	27440205
ECLASS-12.0	27440205
ECLASS-13.0	27440205

ETIM

ETIM 9.0	EC000438
----------	----------

UNSPSC

UNSPSC 21.0	39121500
-------------	----------

HC-B 24-I-CT-F - Contact insert



1648348

<https://www.phoenixcontact.com/in/products/1648348>

Environmental product compliance

China RoHS

Environment friendly use period (EFUP)	EFUP-E
	No hazardous substances above the limits

EU REACH SVHC

REACH candidate substance (CAS No.)	No substance above 0.1 wt%
-------------------------------------	----------------------------

Phoenix Contact 2024 © - all rights reserved
<https://www.phoenixcontact.com>

PHOENIX CONTACT (I) Pvt. Ltd.
A-58/2, Okhla Industrial Area, Phase - II, New Delhi-110 020

+91.1275.71420
info@phoenixcontact.co.in