

HC-D 25-I-CT-F - Contact insert



1584402

<https://www.phoenixcontact.com/in/products/1584402>

Please be informed that the data shown in this PDF document is generated from our online catalog. Please find the complete data in the user documentation. Our general terms of use for downloads are valid.



Contact insert, number of positions: 25+PE, size: D25, number of connections per position: 1, Socket, Crimp connection, 250 V, 10 A, 0.14 mm² ... 2.5 mm²

Your advantages

- Can be used in rail vehicles, satisfy DIN EN 45545-2 with requirement sets R22, R23, and R24 in hazard levels HL1, HL2, and HL3.
- Shock and vibration-resistant in accordance with DIN EN 61373

Commercial data

Item number	1584402
Packing unit	1 pc
Minimum order quantity	1 pc
Sales key	BF7
Product key	BF7ABE
Catalog page	Page 523 (C-2-2019)
GTIN	4046356142663
Weight per piece (including packing)	35 g
Weight per piece (excluding packing)	30.9 g
Customs tariff number	85389099
Country of origin	CN

HC-D 25-I-CT-F - Contact insert



1584402

<https://www.phoenixcontact.com/in/products/1584402>

Technical data

Notes

General	For HEAVYCON housing type D25, CK1,6-ED crimp contacts (crimp contacts not supplied as standard)
General	Connectors may be operated only when there is no load/voltage.
General	It is imperative that guide pins (HC-CST) and sockets (HC-CBU) are used to prevent tip collision due to misalignment.

Mounting

Assembly note	To ensure correct use, installation in housing with IP54 protection or better is required
---------------	---

Product properties

Product type	Contact insert with a fixed no. of positions
Series	HC-D
Type	D25 D50
Number of positions	25
Note number of positions	25+PE
Connection profile	25+PE
Number of connections per position	1
Contact material type	turned rolled

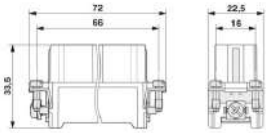
Data management status

Article revision	09
------------------	----

Insulation characteristics

Overvoltage category	III
Degree of pollution	3

Dimensions

Dimensional drawing	
Width	22.5 mm
Height	33.5 mm
Length	72 mm
Drill hole distance, horizontal	66 mm
Drill hole distance, vertical	16 mm

Mechanical characteristics

Contact diameter	1.6 mm
------------------	--------

HC-D 25-I-CT-F - Contact insert



1584402

<https://www.phoenixcontact.com/in/products/1584402>

Connection data

Connection technology

Connection technology	Crimp connection
Number of connections per position	1
Connection in acc. with standard	IEC / EN

Conductor connection

Conductor cross section	0.14 mm ² ... 2.5 mm ²
Connection cross section AWG	26 ... 14
Tightening torque	0.7 Nm ... 1 Nm (PE connection) 0.5 Nm ... 0.8 Nm (Mounting screws for mounting in the HEAVYCON housing)
Stripping length of the individual wire	8 mm (0.14 mm ² ... 1.5 mm ²)
	6 mm (2.5 mm ²)

Electrical properties

Rated voltage (III/3)	250 V
Rated surge voltage	4 kV
Rated current	10 A
SCCR	5 kA (UL 2237)

Mechanical properties

Mechanical data

Insertion/withdrawal cycles	≥ 500
-----------------------------	-------

Material specifications

Flammability rating according to UL 94	V0
Contact material	Copper alloy
Contact surface material	Ag (alternatively Au)
Contact carrier material	PC
Standards/regulations	PC: Fire protection in rail vehicles - requirement sets R22, R23, and R24 acc. to DIN EN 45545-2 (Risk level HL1 - HL3)

Environmental and real-life conditions

Ambient conditions

Ambient temperature (operation)	-40 °C ... 125 °C (including heating up of contacts)
---------------------------------	--

Standards and regulations

Constructional and testing regulations	DIN VDE 0627/86
	DIN VDE 0110/02.79
	DIN VDE 0110-1/04.97
	IEC 60664-1, DIN IEC 60512
	IEC 60352

HC-D 25-I-CT-F - Contact insert



1584402

<https://www.phoenixcontact.com/in/products/1584402>

Testing	
Tests	DIN VDE 0627/86
	DIN VDE 0110/02.79
	DIN VDE 0110-1/04.97
	IEC 60664-1, DIN IEC 60512
	IEC 60352
Standards/regulations	
PC: Fire protection in rail vehicles - requirement sets R22, R23, and R24 acc. to DIN EN 45545-2 (Risk level HL1 - HL3)	

HC-D 25-I-CT-F - Contact insert

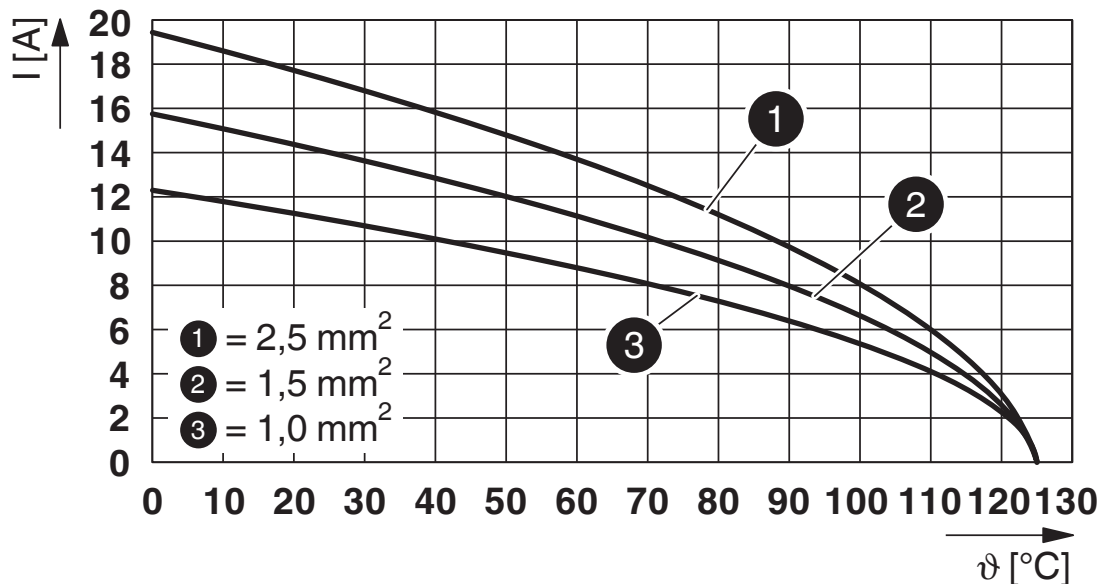


1584402

<https://www.phoenixcontact.com/in/products/1584402>

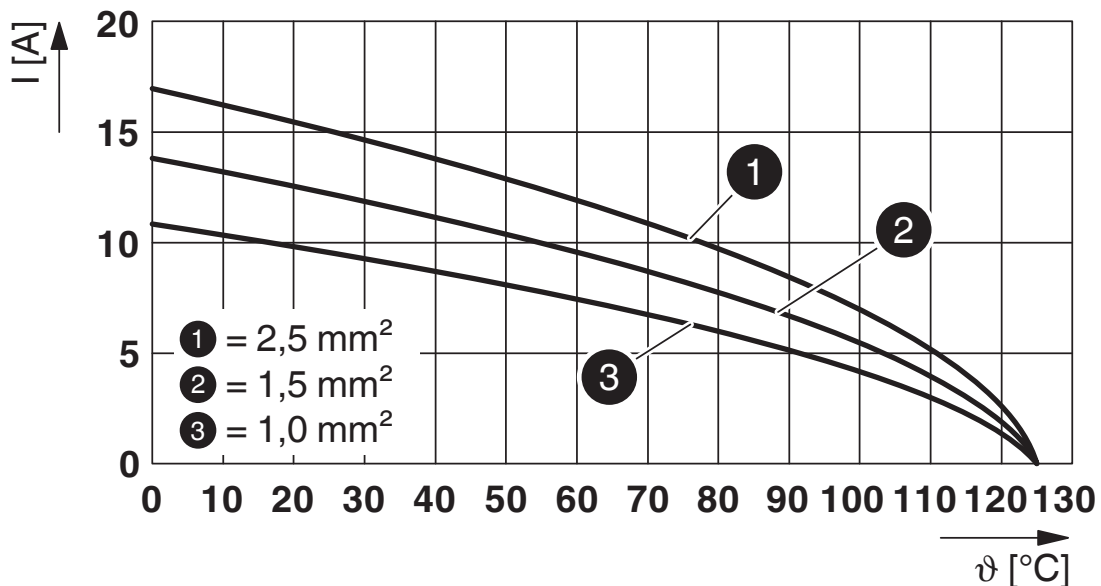
Drawings

Diagram



Derating diagram turned contacts

Diagram



Derating diagram rolled contacts

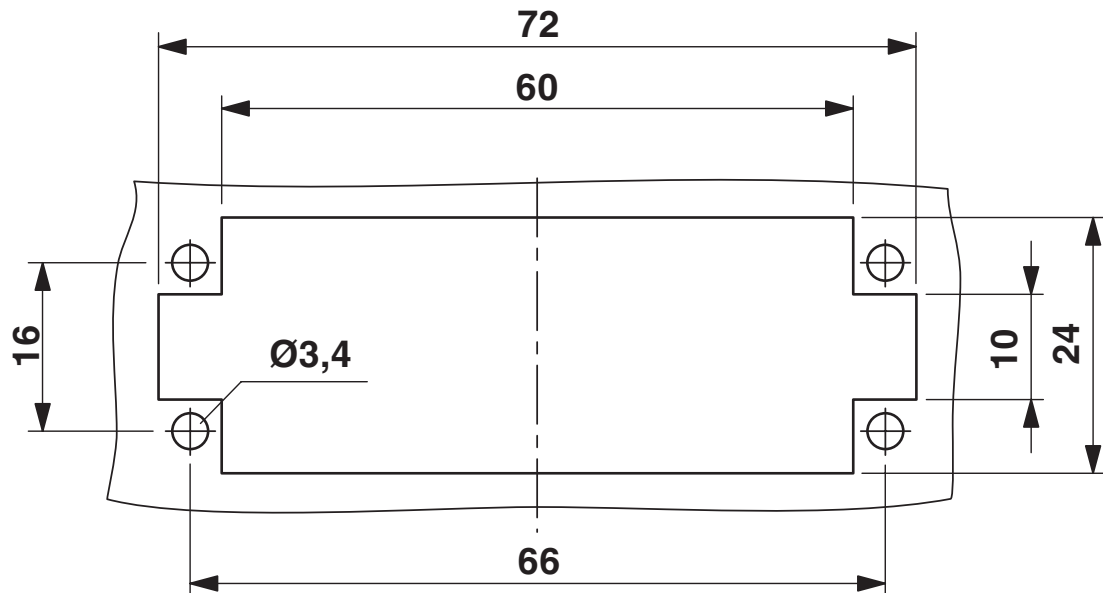
HC-D 25-I-CT-F - Contact insert



1584402

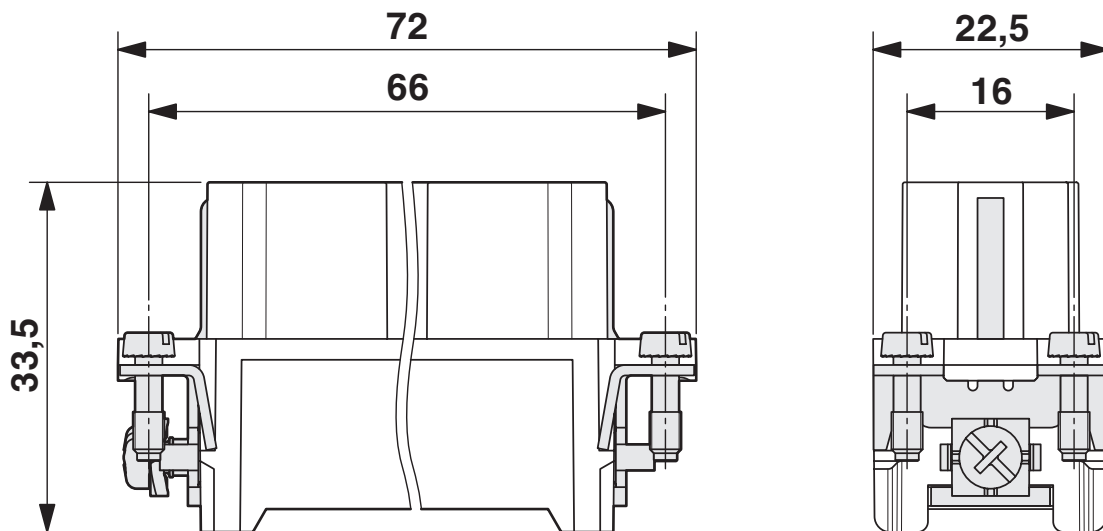
<https://www.phoenixcontact.com/in/products/1584402>

Dimensional drawing



Mounting cutout when used without housing

Dimensional drawing



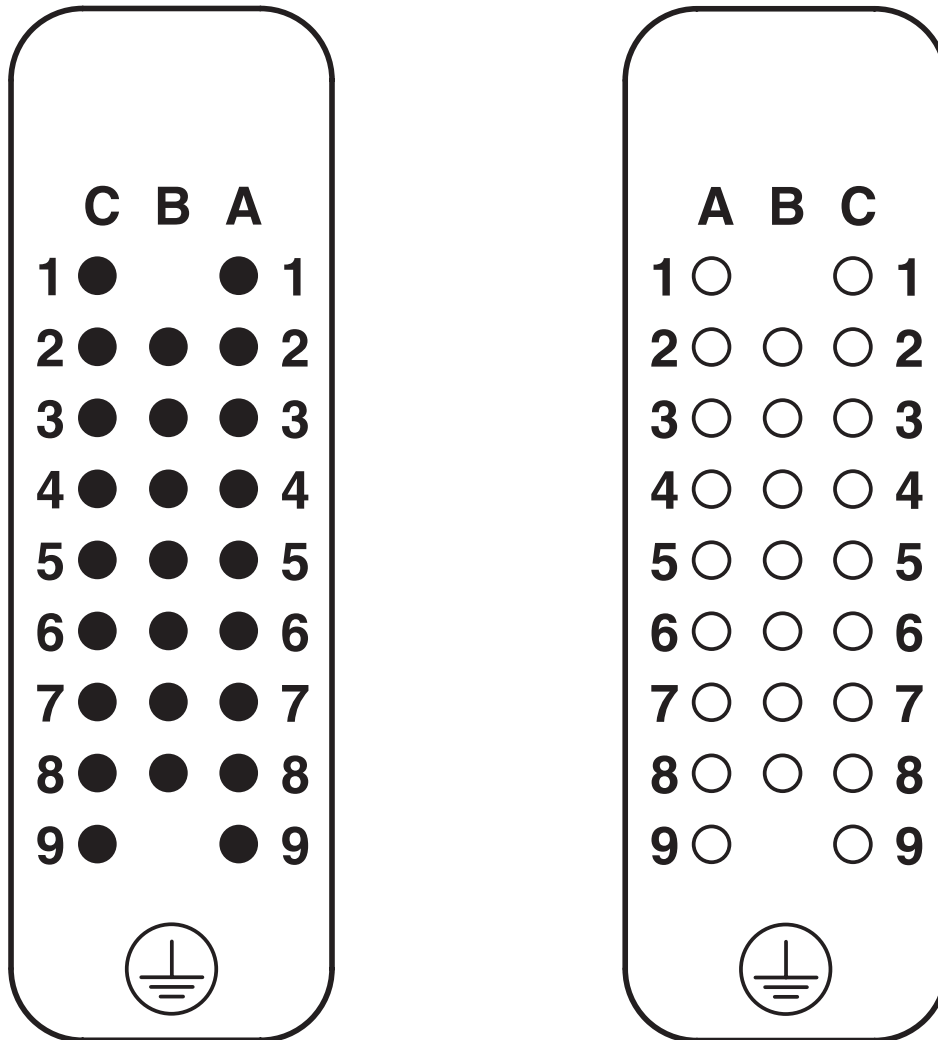
Female insert

HC-D 25-I-CT-F - Contact insert

1584402

<https://www.phoenixcontact.com/in/products/1584402>

Schematic diagram



Connector pin assignment connection side: Left pin; right socket

HC-D 25-I-CT-F - Contact insert



1584402

<https://www.phoenixcontact.com/in/products/1584402>

Approvals

To download certificates, visit the product detail page: <https://www.phoenixcontact.com/in/products/1584402>

DNV

Approval ID: TAE000037S



CSA

Approval ID: 13631

Nominal voltage U_N	Nominal current I_N	Cross section AWG	Cross section mm^2
600 V	8 A	- 14	-



UL Recognized

Approval ID: E118976

Nominal voltage U_N	Nominal current I_N	Cross section AWG	Cross section mm^2
600 V	10 A	-	-



EAC

Approval ID: RU C-DE.BL08.B.00511



UL Recognized

Approval ID: E468743

Nominal voltage U_N	Nominal current I_N	Cross section AWG	Cross section mm^2
600 V	10 A	-	-

HC-D 25-I-CT-F - Contact insert



1584402

<https://www.phoenixcontact.com/in/products/1584402>

Classifications

ECLASS

ECLASS-11.0	27440205
ECLASS-12.0	27440205
ECLASS-13.0	27440205

ETIM

ETIM 9.0	EC000438
----------	----------

UNSPSC

UNSPSC 21.0	39121500
-------------	----------

HC-D 25-I-CT-F - Contact insert



1584402

<https://www.phoenixcontact.com/in/products/1584402>

Environmental product compliance

EU RoHS

Fulfills EU RoHS substance requirements	Yes, No exemptions
---	--------------------

China RoHS

Environment friendly use period (EFUP)	EFUP-E
	No hazardous substances above the limits

EU REACH SVHC

REACH candidate substance (CAS No.)	No substance above 0.1 wt%
-------------------------------------	----------------------------

Phoenix Contact 2024 © - all rights reserved
<https://www.phoenixcontact.com>

PHOENIX CONTACT (I) Pvt. Ltd.
A-58/2, Okhla Industrial Area, Phase - II, New Delhi-110 020

+91.1275.71420
info@phoenixcontact.co.in