

HC-STA-B06-HHFS-1STP21-EL-AL - Housing



1412564

<https://www.phoenixcontact.com/in/products/1412564>

Please be informed that the data shown in this PDF document is generated from our online catalog. Please find the complete data in the user documentation. Our general terms of use for downloads are valid.



Sleeve housing B6, for single locking latch, material: Die-cast aluminum, salt water resistant, cable outlets: 1, lateral, 1x Pg21, height: 72 mm, cable gland: none, Standard

Your advantages

- Good shielding in the event of electromagnetic interference

Commercial data

Item number	1412564
Packing unit	1 pc
Minimum order quantity	1 pc
Sales key	BF7
Product key	BF7APB
Catalog page	Page 600 (C-2-2019)
GTIN	4055626059044
Weight per piece (including packing)	167.7 g
Weight per piece (excluding packing)	169.6 g
Customs tariff number	85389099
Country of origin	PL

HC-STA-B06-HHFS-1STP21-EL-AL - Housing



1412564

<https://www.phoenixcontact.com/in/products/1412564>

Technical data

Notes

General	For contact inserts HC-B6, BB10, DD24, M Tall housings for extra large wiring space
General	also available as a powder-coated or color version: 1372582 HC-STA-B06-HHFS-1STP21-EL/...

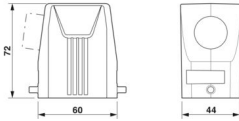
Product properties

Product type	Housing with locking latch
Housing type	Sleeve housing
Application	Standard
Type	B6
No. of cable outlets	1
Type of the screw connection	1x Pg21
Type	Tall design
Cable outlet	lateral
Pg screw connection	none

Data management status

Article revision	02
------------------	----

Dimensions

Dimensional drawing	
Width	44 mm
Height	72 mm
Length	60 mm

Material specifications

Housing material	Die-cast aluminum, salt water resistant
Housing surface material	uncoated

Mechanical properties

Mechanical data

Type of the screw connection	1x Pg21
Locking type	Pin

Environmental and real-life conditions

Ambient conditions

Degree of protection	IP66
----------------------	------

HC-STA-B06-HHFS-1STP21-EL-AL - Housing



1412564

<https://www.phoenixcontact.com/in/products/1412564>

	IP67
Enclosure rating (NEMA)	4 (UL 50e)
	4X (UL 50e)
	12 (UL 50e)
Impact strength	IK08
Ambient temperature (operation)	-40 °C ... 125 °C

HC-STA-B06-HHFS-1STP21-EL-AL - Housing

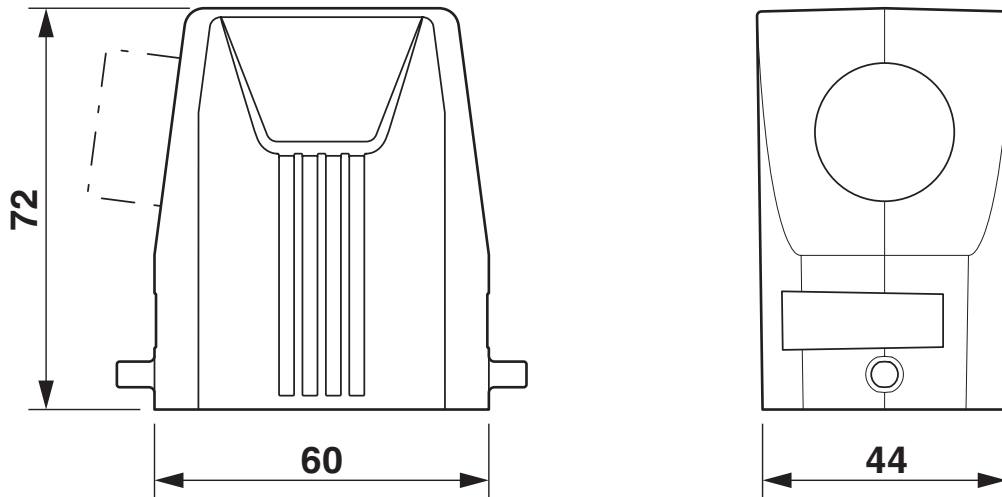


1412564

<https://www.phoenixcontact.com/in/products/1412564>

Drawings

Dimensional drawing



Dimensional drawing

1412564

<https://www.phoenixcontact.com/in/products/1412564>

Approvals

To download certificates, visit the product detail page: <https://www.phoenixcontact.com/in/products/1412564>

DNV

Approval ID: TAE000037S



cUL Recognized

Approval ID: E255026



UL Recognized

Approval ID: E255026



EAC

Approval ID: RU C-DE.AI30.B.01102



EAC

Approval ID: RU C-DE.BL08.B.00511

cULus Recognized

1412564

<https://www.phoenixcontact.com/in/products/1412564>

Classifications

ECLASS

ECLASS-11.0	27440202
ECLASS-12.0	27440202
ECLASS-13.0	27440202

ETIM

ETIM 9.0	EC000437
----------	----------

UNSPSC

UNSPSC 21.0	31261500
-------------	----------

HC-STA-B06-HHFS-1STP21-EL-AL - Housing



1412564

<https://www.phoenixcontact.com/in/products/1412564>

Environmental product compliance

EU RoHS

Fulfills EU RoHS substance requirements	Yes, No exemptions
---	--------------------

China RoHS

Environment friendly use period (EFUP)	EFUP-E
	No hazardous substances above the limits

EU REACH SVHC

REACH candidate substance (CAS No.)	No substance above 0.1 wt%
-------------------------------------	----------------------------

Phoenix Contact 2024 © - all rights reserved
<https://www.phoenixcontact.com>

PHOENIX CONTACT (I) Pvt. Ltd.
A-58/2, Okhla Industrial Area, Phase - II, New Delhi-110 020

+91.1275.71420
info@phoenixcontact.co.in