

HC-HS06-I-UT-M - Contact insert



1406531

<https://www.phoenixcontact.com/in/products/1406531>

Please be informed that the data shown in this PDF document is generated from our online catalog. Please find the complete data in the user documentation. Our general terms of use for downloads are valid.



Contact insert, number of positions: 6+PE, size: B16, number of connections per position: 1, Pin, Screw connection, 400 V/690 V, 41 A, 0.5 mm² ... 6 mm², application: Power

Your advantages

- For fast coding with plastic profile
- Shock and vibration-resistant in accordance with DIN EN 61373

Commercial data

Item number	1406531
Packing unit	1 pc
Minimum order quantity	1 pc
Sales key	BF7
Product key	BF7ABI
Catalog page	Page 563 (C-2-2019)
GTIN	4046356926270
Weight per piece (including packing)	87.5 g
Weight per piece (excluding packing)	87.5 g
Customs tariff number	85366990
Country of origin	CN

HC-HS06-I-UT-M - Contact insert



1406531

<https://www.phoenixcontact.com/in/products/1406531>

Technical data

Notes

General	For HEAVYCON housing B16 and B32
General	Connectors may be operated only when there is no load/voltage.

Mounting

Assembly note	To ensure correct use, installation in housing with IP54 protection or better is required
---------------	---

Product properties

Product type	Contact insert with a fixed no. of positions
Series	HC-HS
Application	Power
Type	B16 B32
Number of positions	6
Connection profile	6+PE
Contact numbering	1 - 6
Number of connections per position	1
Contact material type	turned

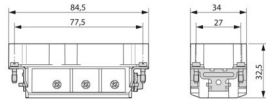
Data management status

Article revision	05
------------------	----

Insulation characteristics

Overvoltage category	III
Degree of pollution	3

Dimensions

Dimensional drawing	
Width	34 mm
Height	34 mm
Length	84.5 mm
Drill hole distance, horizontal	77.5 mm
Drill hole distance, vertical	27 mm

Mechanical characteristics

Contact diameter	3.5 mm
------------------	--------

Connection data

Connection technology

HC-HS06-I-UT-M - Contact insert



1406531

<https://www.phoenixcontact.com/in/products/1406531>

Connection technology	Screw connection
Number of connections per position	1
Connection in acc. with standard	IEC / EN

Conductor connection

Conductor cross section	0.5 mm ² ... 6 mm ² (power contacts)
Connection cross section AWG	20 ... 10
Tightening torque	0.8 Nm ... 1.2 Nm (PE connection)
	0.5 Nm ... 0.8 Nm (Mounting screws for mounting in the HEAVYCON housing)
	1.2 Nm
Stripping length of the individual wire	10 mm

Electrical properties

Rated voltage (III/3)	400 V (Conductor-PE)
	690 V (Conductor-Conductor)
Rated voltage for power contacts	400/690 V
Rated surge voltage	6 kV (power contacts)
Rated current	41 A (power contacts)
SCCR	5 kA (UL 2237)

Mechanical properties

Mechanical data

Insertion/withdrawal cycles	≥ 500
-----------------------------	-------

Material specifications

Flammability rating according to UL 94	V0
Contact material	Copper alloy
Contact surface material	Ag
Contact carrier material	PC
Standards/regulations	PC: Fire protection in rail vehicles - requirement sets R22, R23, and R24 acc. to DIN EN 45545-2 (Risk level HL1 - HL3)

Environmental and real-life conditions

Ambient conditions

Ambient temperature (operation)	-40 °C ... 125 °C (including heating up of contacts)
---------------------------------	--

Standards and regulations

Testing

Standards/regulations	PC: Fire protection in rail vehicles - requirement sets R22, R23, and R24 acc. to DIN EN 45545-2 (Risk level HL1 - HL3)
-----------------------	---

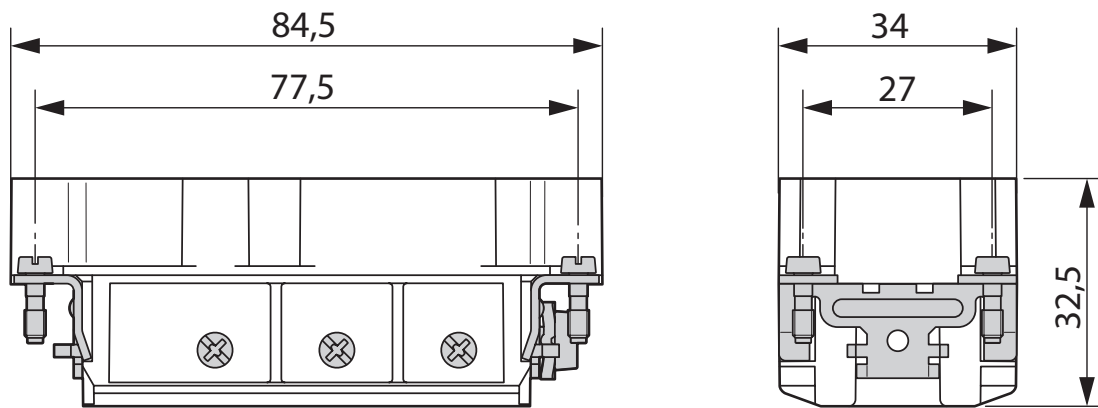
HC-HS06-I-UT-M - Contact insert

1406531

<https://www.phoenixcontact.com/in/products/1406531>

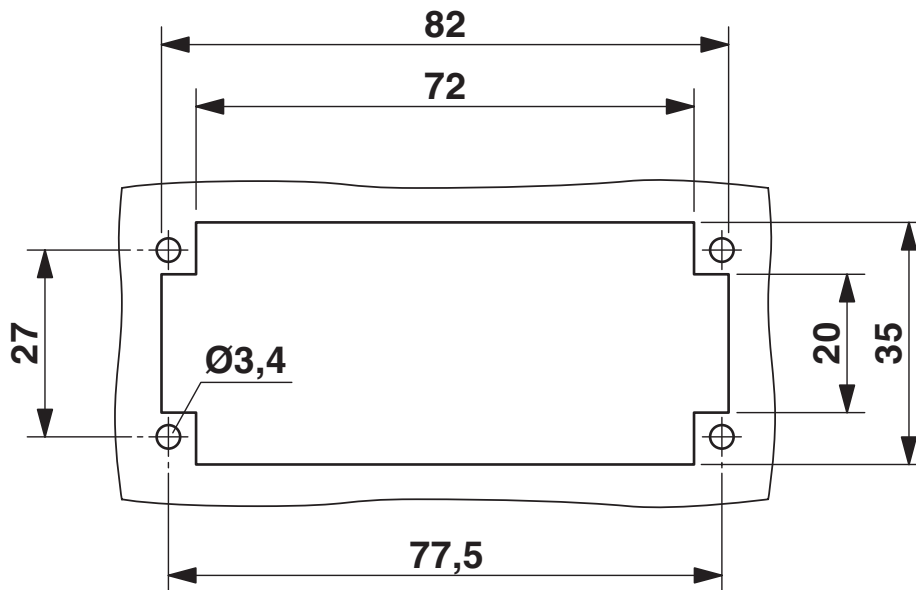
Drawings

Dimensional drawing



Male insert

Dimensional drawing



Mounting cutout when used without housing

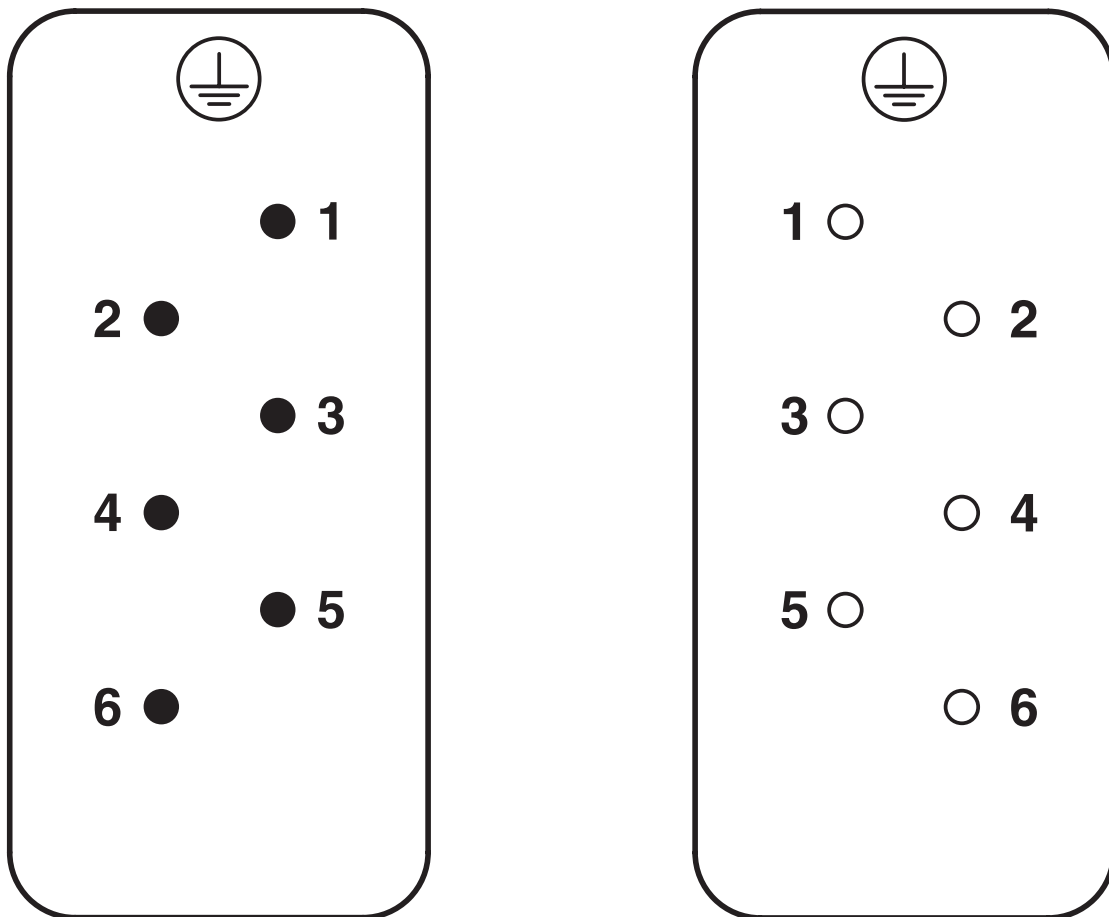
HC-HS06-I-UT-M - Contact insert



1406531

<https://www.phoenixcontact.com/in/products/1406531>

Schematic diagram



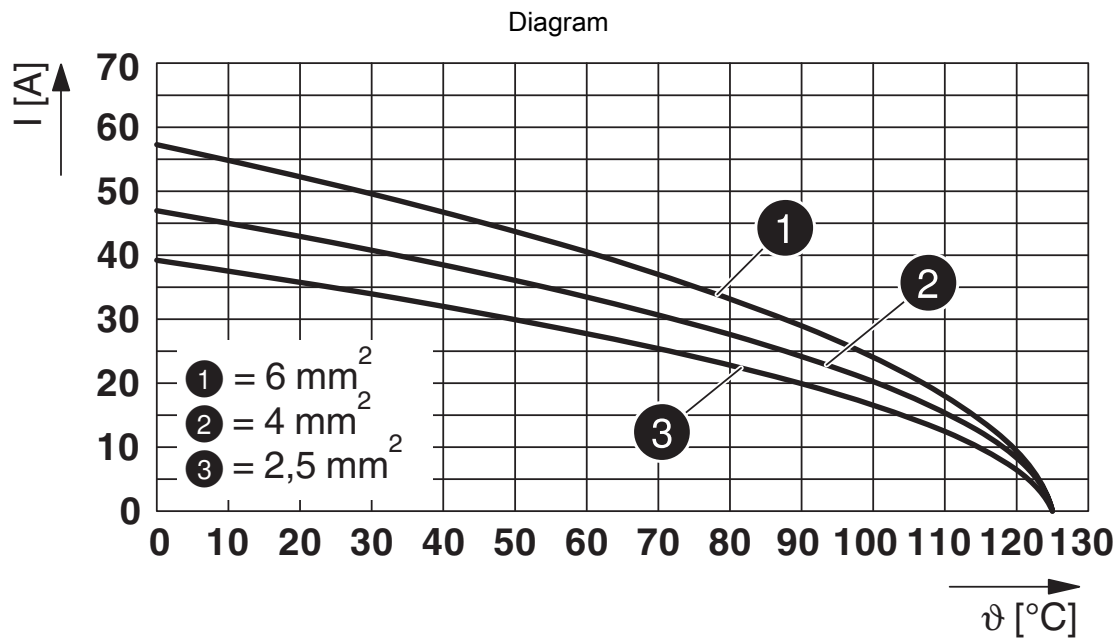
Connector pin assignment, connection side

HC-HS06-I-UT-M - Contact insert



1406531

<https://www.phoenixcontact.com/in/products/1406531>



Derating diagram

HC-HS06-I-UT-M - Contact insert



1406531

<https://www.phoenixcontact.com/in/products/1406531>

Approvals

To download certificates, visit the product detail page: <https://www.phoenixcontact.com/in/products/1406531>

DNV

Approval ID: TAE000037S



CSA

Approval ID: 013631_0_000

	Nominal voltage U_N	Nominal current I_N	Cross section AWG	Cross section mm^2
	600 V	32 A	- 10	-



UL Recognized

Approval ID: E118976

	Nominal voltage U_N	Nominal current I_N	Cross section AWG	Cross section mm^2
	600 V	35 A	-	-



EAC

Approval ID: RU C-DE.BL08.B.00511



UL Recognized

Approval ID: E468743

	Nominal voltage U_N	Nominal current I_N	Cross section AWG	Cross section mm^2
	600 V	35 A	-	-

HC-HS06-I-UT-M - Contact insert



1406531

<https://www.phoenixcontact.com/in/products/1406531>

Classifications

ECLASS

ECLASS-11.0	27440205
ECLASS-12.0	27440205
ECLASS-13.0	27440205

ETIM

ETIM 9.0	EC000438
----------	----------

UNSPSC

UNSPSC 21.0	39121500
-------------	----------

HC-HS06-I-UT-M - Contact insert



1406531

<https://www.phoenixcontact.com/in/products/1406531>

Environmental product compliance

EU RoHS

Fulfills EU RoHS substance requirements	Yes, No exemptions
---	--------------------

China RoHS

Environment friendly use period (EFUP)	EFUP-E
	No hazardous substances above the limits

EU REACH SVHC

REACH candidate substance (CAS No.)	No substance above 0.1 wt%
-------------------------------------	----------------------------

Phoenix Contact 2024 © - all rights reserved
<https://www.phoenixcontact.com>

PHOENIX CONTACT (I) Pvt. Ltd.
A-58/2, Okhla Industrial Area, Phase - II, New Delhi-110 020

+91.1275.71420
info@phoenixcontact.co.in