

E/MBK - End bracket

1401637

<https://www.phoenixcontact.com/in/products/1401637>

Please be informed that the data shown in this PDF document is generated from our online catalog. Please find the complete data in the user documentation. Our general terms of use for downloads are valid.



End clamp, width: 6.2 mm, color: gray

Your advantages

- Large-surface marking
- Can be screwed onto NS 15 DIN rails
- Can be mounted directly on the mounting panel as an MBK terminal block

Commercial data

Item number	1401637
Packing unit	100 pc
Minimum order quantity	100 pc
Sales key	BE7
Product key	BE7111
Catalog page	Page 539 (C-3-2019)
GTIN	4017918020484
Weight per piece (including packing)	1.633 g
Weight per piece (excluding packing)	1.62 g
Customs tariff number	39269097
Country of origin	PL

E/MBK - End bracket

1401637

<https://www.phoenixcontact.com/in/products/1401637>

Technical data

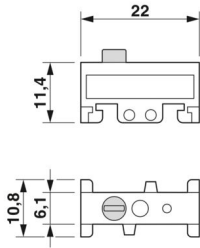
Product properties

Product type	End bracket
--------------	-------------

Connection data

Tightening torque	0.4 ... 0.5 Nm
-------------------	----------------

Dimensions

Dimensional drawing	
Width	6.2 mm
Height	22 mm
Depth	11.4 mm
Depth on NS 35/7,5	13 mm
Length	22 mm

Material specifications

Color	gray
Material	PA
Flammability rating according to UL 94	V2
Coating	3.2 mm fixing hole

Environmental and real-life conditions

Ambient conditions

Ambient temperature (operation)	-60 °C ... 105 °C (max. short-term operating temperature RTI Elec.)
Ambient temperature (storage/transport)	-25 °C ... 60 °C (for a short time, not exceeding 24 h, -60 °C to +70 °C)
Ambient temperature (assembly)	-5 °C ... 70 °C
Ambient temperature (actuation)	-5 °C ... 70 °C
Permissible humidity (storage/transport)	30 % ... 70 %

Mounting

Mounting type	NS 15
---------------	-------

E/MBK - End bracket

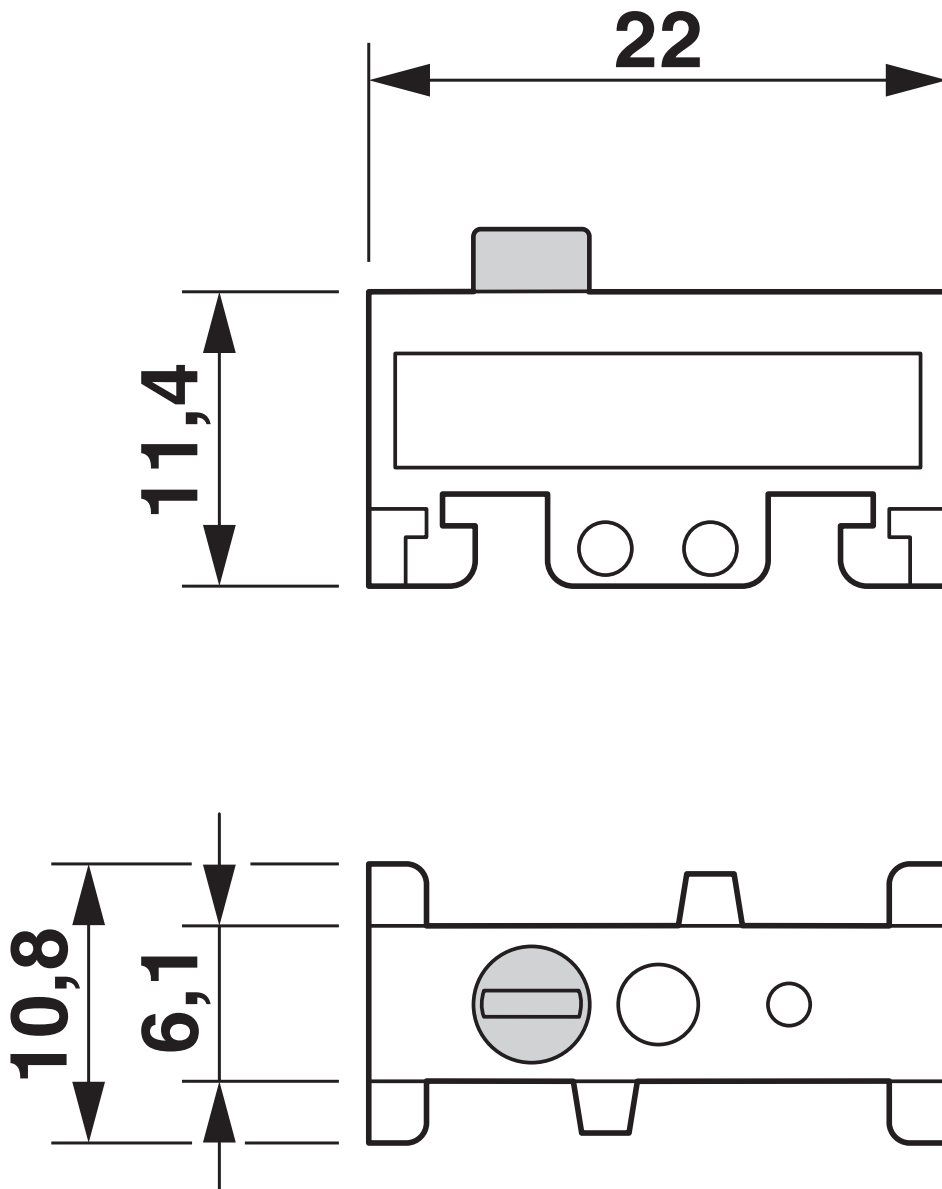
1401637

<https://www.phoenixcontact.com/in/products/1401637>



Drawings

Dimensional drawing



E/MBK - End bracket



1401637

<https://www.phoenixcontact.com/in/products/1401637>

Classifications

ECLASS

ECLASS-11.0	27141135
ECLASS-12.0	27141135
ECLASS-13.0	27250302

ETIM

ETIM 9.0	EC001041
----------	----------

UNSPSC

UNSPSC 21.0	39121400
-------------	----------

E/MBK - End bracket



1401637

<https://www.phoenixcontact.com/in/products/1401637>

Environmental product compliance

EU RoHS

Fulfills EU RoHS substance requirements	Yes, No exemptions
---	--------------------

China RoHS

Environment friendly use period (EFUP)	EFUP-E
	No hazardous substances above the limits

EU REACH SVHC

REACH candidate substance (CAS No.)	No substance above 0.1 wt%
-------------------------------------	----------------------------

E/MBK - End bracket

1401637

<https://www.phoenixcontact.com/in/products/1401637>



Accessories

NS 15 UNPERF 2000MM VPE 10 - DIN rail, unperforated

1401695

<https://www.phoenixcontact.com/in/products/1401695>



DIN rail, unperforated, Pack of 10 (20 m), acc. to EN 60715, material: Steel, galvanized, passivated with a thick layer, Standard profile, color: silver

NS 15 PERF 2000MM VPE 10 - DIN rail perforated

1401682

<https://www.phoenixcontact.com/in/products/1401682>



DIN rail perforated, Pack of 10 (20 m), acc. to EN 60715, material: Steel, galvanized, passivated with a thick layer, Standard profile, color: silver

E/MBK - End bracket

1401637

<https://www.phoenixcontact.com/in/products/1401637>



NS 15 AL PERF 2000MM VPE 10 - DIN rail perforated

1401763

<https://www.phoenixcontact.com/in/products/1401763>



DIN rail perforated, Pack of 10 (20 m), acc. to EN 60715, material: Aluminum, uncoated, Standard profile, color: silver

NS 15 WH PERF 2000MM-VPE 10 - DIN rail perforated

1204096

<https://www.phoenixcontact.com/in/products/1204096>



DIN rail perforated, Pack of 10 (20 m), acc. to EN 60715, material: Steel, Galvanized, white passivated, Standard profile, color: silver

E/MBK - End bracket

1401637

<https://www.phoenixcontact.com/in/products/1401637>

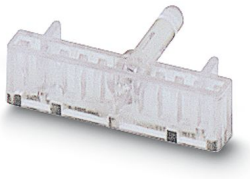


KLM 1 - Terminal strip marker carrier

1004319

<https://www.phoenixcontact.com/in/products/1004319>

Terminal strip marker carrier, for E/MBK or CLIPFIX 35 end brackets, can be marked using insert strips in 24 x 4 mm format



Phoenix Contact 2024 © - all rights reserved

<https://www.phoenixcontact.com>

PHOENIX CONTACT (I) Pvt. Ltd.

A-58/2, Okhla Industrial Area, Phase - II, New Delhi-110 020

+91.1275.71420

info@phoenixcontact.co.in