

UPS-BAT/PB/24DC/1.2AH - Energy storage



1274520

<https://www.phoenixcontact.com/in/products/1274520>

Please be informed that the data shown in this PDF document is generated from our Online Catalog. Please find the complete data in the user documentation. Our General Terms of Use for Downloads are valid.



Energy storage, VRLA-AGM, 24 V DC, 1.2 Ah, automatic detection and communication with QUINT UPS-IQ

Product Description

For continuous monitoring and intelligent management, there is constant communication with the QUINT UPS. Thanks to automatic detection of the energy storage, and tool-free switching during operation, quick installation is possible. The QUINT UPS with IQ technology energy storage leaves the warehouse fully charged.

Your advantages

- Maximum buffer times
- Lead AGM (Absorbent Glass Mat) technology

Commercial Data

Item number	1274520
Packing unit	1 pc
Minimum order quantity	1 pc
Sales Key	CMU
Product Key	CMUEV3
GTIN	4063151466640
Weight per Piece (including packing)	2,275 g
Weight per Piece (excluding packing)	1,840 g
Customs tariff number	85072080
Country of origin	CN

Technical Data

Energy storage

Input voltage	24 V DC (SELV)
Output voltage	24 V DC
End-of-charge voltage	27.6 V DC (20 °C)
Output current	max. 15 A
Charging current	0.36 A
Nominal capacity	1.2 Ah
Buffer time	20 min. (2 A) 5 min. (5 A)
Accumulator module service life (according to Eurobat)	6 (20 °C)
Latest startup date (battery only)	3 Months (0 °C ... 20 °C) 1 Months (30 °C ... 40 °C)
Latest startup (battery only) - range	1 Months ... 3 Months (20 °C ... 30 °C)
Battery type	BB Battery BP1.2-12FR
Battery technology	VRLA-AGM
Size designation	Block
Battery pack	yes
Disposal	Used batteries must not be thrown away with household waste, they should instead be disposed of in accordance with applicable national regulations.
Connection in parallel	yes
Connection in series	No
IQ-Technology	yes
Temperature sensor	yes
Suitable for fast charging	yes
Output fuse	1x 15 A

Connection data

Conductor connection

Connection method	Screw connection
rigid	2.5 mm ²
flexible	2.5 mm ²
rigid (AWG)	14 (Cu)
Stripping length	8 mm
Tightening torque	0.5 Nm ... 0.6 Nm 5 lb _f -in. ... 7 lb _f -in.
Drive form screw head	Slotted L

Product properties

Product type	Battery unit
Product family	Energy storage

UPS-BAT/PB/24DC/1.2AH - Energy storage



1274520

<https://www.phoenixcontact.com/in/products/1274520>

Application	for QUINT4 DC-UPS, QUINT-UPS, and TRIO-UPS-2G
Disposal	Used batteries must not be thrown away with household waste, they should instead be disposed of in accordance with applicable national regulations.

Insulation characteristics

Protection class	III
Degree of pollution	2

Dimensions

Width	54 mm
Height	157 mm
Depth	113 mm

Mounting

Mounting position	horizontal DIN rail NS 35, EN 60715
-------------------	-------------------------------------

Material specifications

Housing material	Metal
Type of housing	Galvanized sheet steel, powder-coated

Environmental and real-life conditions

Ambient conditions

Degree of protection	IP20
Ambient temperature (storage/transport)	-20 °C ... 40 °C
Ambient temperature (charge)	0 °C ... 40 °C
Ambient temperature (discharge)	-20 °C ... 50 °C
Max. permissible relative humidity (operation)	≤ 95 %
Shock	15g, 11 ms, in each space direction (in accordance with IEC 60068-2-27)
Vibration (operation)	5 Hz ... 100 Hz, 0.7g (in accordance with DNV/IEC 600068-2-6)

Approvals

UL

Identification	UL/C-UL Listed UL 61010-1
----------------	---------------------------

UL

Identification	UL/C-UL Listed ANSI/UL 121201 Class I, Division 2, Groups A, B, C, D (Hazardous Location)
----------------	---

Shipbuilding

Identification	DNV
----------------	-----

Shipbuilding

Identification	ABS
----------------	-----

Shipbuilding

UPS-BAT/PB/24DC/1.2AH - Energy storage



1274520

<https://www.phoenixcontact.com/in/products/1274520>

Identification	LR
----------------	----

Shipbuilding

Identification	BV
----------------	----

Ex data

Suited for EX-applications	No
----------------------------	----

UPS-BAT/PB/24DC/1.2AH - Energy storage

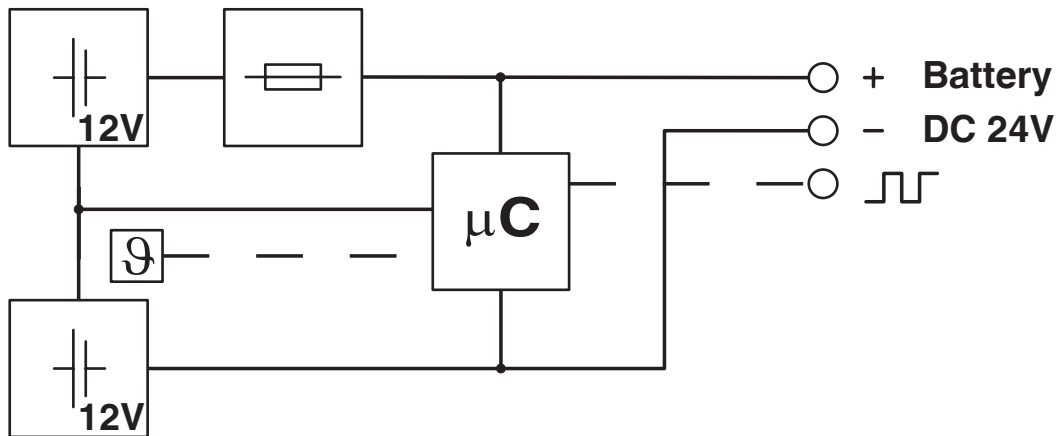


1274520

<https://www.phoenixcontact.com/in/products/1274520>

Drawings

Block diagram



Block diagram

UPS-BAT/PB/24DC/1.2AH - Energy storage



1274520

<https://www.phoenixcontact.com/in/products/1274520>

Approvals



EAC

Approval ID: RU*DE*01.B.78948/21



cULus Listed

Approval ID: FILE E 123528



LR

Approval ID: LR22136091TA



BV

Approval ID: 41516/B0 BV



IECEE CB Scheme

Approval ID: DK-134807-A1-UL



cULus Listed

Approval ID: FILE E 199827

UPS-BAT/PB/24DC/1.2AH - Energy storage



1274520

<https://www.phoenixcontact.com/in/products/1274520>

Classifications

ECLASS

ECLASS-11.0	27050403
ECLASS-12.0	27050403
ECLASS-13.0	27050403

ETIM

ETIM 8.0	EC000357
----------	----------

UNSPSC

UNSPSC 21.0	26111700
-------------	----------

UPS-BAT/PB/24DC/1.2AH - Energy storage



1274520

<https://www.phoenixcontact.com/in/products/1274520>

Environmental Product Compliance

REACH SVHC	Lead 7439-92-1
China RoHS	Environmentally Friendly Use Period = 8
	For information on hazardous substances, refer to the manufacturer's declaration available under "Downloads"

UPS-BAT/PB/24DC/1.2AH - Energy storage

1274520

<https://www.phoenixcontact.com/in/products/1274520>

Accessories

QUINT-ADAPTER/4 - Mounting adapter

2866857

<https://www.phoenixcontact.com/in/products/2866857>

Assembly adapter for QUINT-BAT/24DC... on 35mm rail



FUSE 15A/32V FK1 - Fuse

2908360

<https://www.phoenixcontact.com/in/products/2908360>

Fuse, nominal current: 15 A, length: 11.9 mm, width: 3.8 mm, height: 16.2 mm



UPS-BAT/PB/24DC/1.2AH - Energy storage



1274520

<https://www.phoenixcontact.com/in/products/1274520>

UPS-BAT-KIT/PB/2X12V/1.2AH - Uninterruptible power supply replacement battery

1283114

<https://www.phoenixcontact.com/in/products/1283114>



Replacement battery, VRLA-AGM, 2x12 V DC, 1.2 Ah. Only for 1274520 UPS-BAT/PB/24DC/1.2AH and 2320254 QUINT-UPS/24DC/24DC/5/1.3AH from V/C 05

Phoenix Contact 2023 © - all rights reserved

<https://www.phoenixcontact.com>

PHOENIX CONTACT (I) Pvt. Ltd.

A-58/2, Okhla Industrial Area, Phase - II, New Delhi-110 020

+91.1275.71420

info@phoenixcontact.co.in