

E/NS 35 N BK - End bracket



0804271

<https://www.phoenixcontact.com/in/products/0804271>

Please be informed that the data shown in this PDF document is generated from our online catalog. Please find the complete data in the user documentation. Our general terms of use for downloads are valid.



End bracket, material: PA, color: black

Your advantages

- Large-surface marking

Commercial data

Item number	0804271
Packing unit	50 pc
Minimum order quantity	50 pc
Sales key	BE7
Product key	BE7111
Catalog page	Page 539 (C-3-2019)
GTIN	4055626268521
Weight per piece (including packing)	13.95 g
Weight per piece (excluding packing)	13 g
Customs tariff number	76169990
Country of origin	DE

E/NS 35 N BK - End bracket

0804271

<https://www.phoenixcontact.com/in/products/0804271>

Technical data

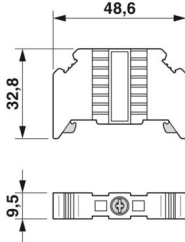
Product properties

Product type	End bracket
--------------	-------------

Data management status

Article revision	05
------------------	----

Dimensions

Dimensional drawing	
Width	9.5 mm
Height	48.6 mm
Depth	32.8 mm
Depth on NS 35/7,5	34.3 mm
Length	48.6 mm

Material specifications

Color	black (RAL 9005)
Material	PA
Flammability rating according to UL 94	V0
Relative insulation material temperature index (Elec., UL 746 B)	125 °C

Environmental and real-life conditions

Ambient conditions

Ambient temperature (operation)	-60 °C ... 105 °C (max. short-term operating temperature RTI Elec.)
Ambient temperature (storage/transport)	-25 °C ... 60 °C (for a short time, not exceeding 24 h, -60 °C to +70 °C)
Ambient temperature (assembly)	-5 °C ... 70 °C
Ambient temperature (actuation)	-5 °C ... 70 °C
Permissible humidity (storage/transport)	30 % ... 70 %

Mounting

Mounting type	NS 35/7,5
	NS 35/15

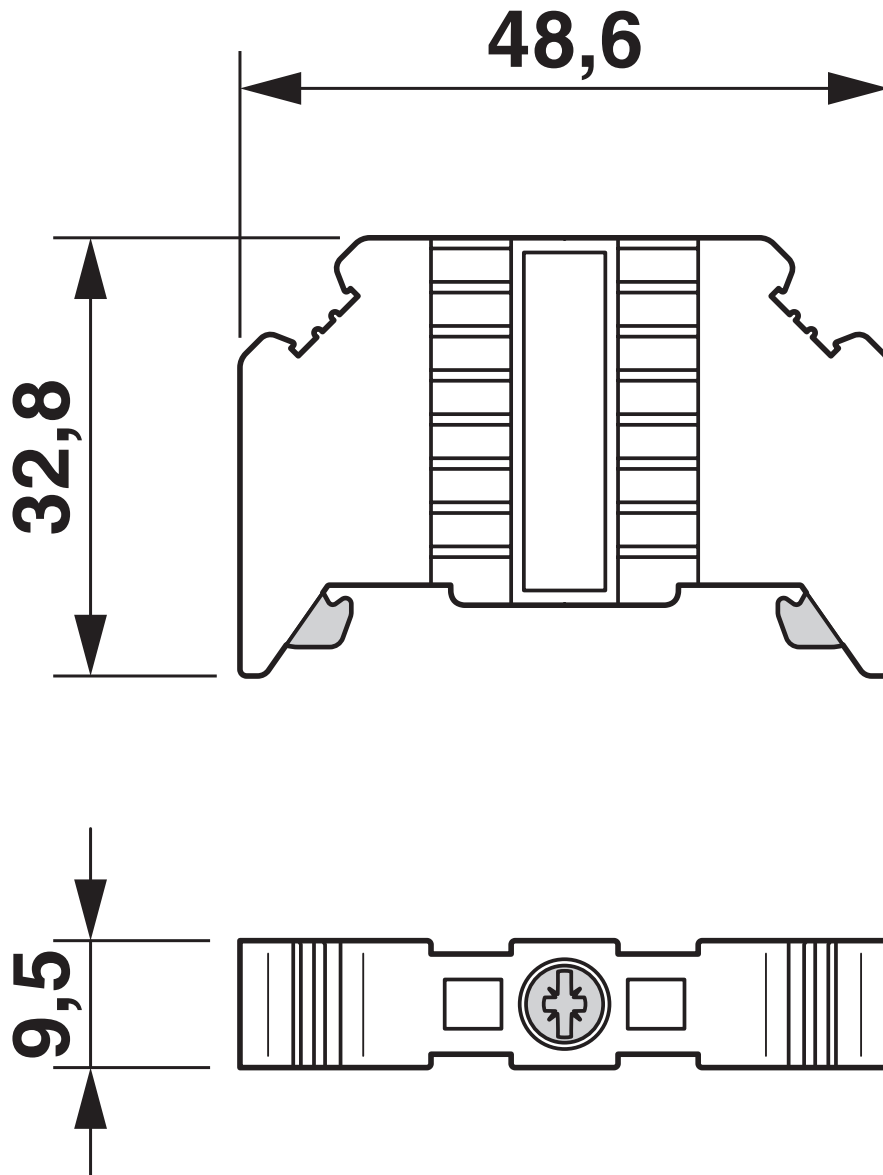
E/NS 35 N BK - End bracket

0804271

<https://www.phoenixcontact.com/in/products/0804271>

Drawings

Dimensional drawing



E/NS 35 N BK - End bracket



0804271

<https://www.phoenixcontact.com/in/products/0804271>

Classifications

ECLASS

ECLASS-11.0	27141135
ECLASS-12.0	27141135
ECLASS-13.0	27250302

ETIM

ETIM 9.0	EC001041
----------	----------

UNSPSC

UNSPSC 21.0	39121400
-------------	----------

E/NS 35 N BK - End bracket



0804271

<https://www.phoenixcontact.com/in/products/0804271>

Environmental product compliance

EU RoHS

Fulfills EU RoHS substance requirements	Yes, No exemptions
---	--------------------

China RoHS

Environment friendly use period (EFUP)	EFUP-E
	No hazardous substances above the limits

EU REACH SVHC

REACH candidate substance (CAS No.)	No substance above 0.1 wt%
-------------------------------------	----------------------------

Phoenix Contact 2024 © - all rights reserved
<https://www.phoenixcontact.com>

PHOENIX CONTACT (I) Pvt. Ltd.
A-58/2, Okhla Industrial Area, Phase - II, New Delhi-110 020

+91.1275.71420
info@phoenixcontact.co.in