

TCP 15/DC32V - Thermal device circuit breaker



0700015

<https://www.phoenixcontact.com/in/products/0700015>

Please be informed that the data shown in this PDF document is generated from our Online Catalog. Please find the complete data in the user documentation. Our General Terms of Use for Downloads are valid.



Thermal device circuit breaker, number of positions: 1, nominal current: 15 A, nom. voltage: 32 V, fuse type: Slow-blow, fuse type: Automatic device, mounting type: on base element, Color: blue

Your advantages

- Fast, replacement part-free recommissioning after an event with the reconnection options
- Easy to retrofit in existing systems with vehicle flat-type fuses with identical pin connector pattern
- Easy identification of the nominal current value via color marking

Commercial Data

Item number	0700015
Packing unit	50 pc
Minimum order quantity	1 pc
Sales Key	CLA
Product Key	CLA112
Catalog Page	Page 400 (C-4-2019)
GTIN	4046356079655
Weight per Piece (including packing)	4.107 g
Weight per Piece (excluding packing)	4.08 g
Customs tariff number	85362010
Country of origin	DE

TCP 15/DC32V - Thermal device circuit breaker



0700015

<https://www.phoenixcontact.com/in/products/0700015>

Technical Data

Product properties

Type	Male
Product type	Thermal device circuit breakers
Number of positions	1
No. of channels	1

Electrical properties

No. of channels	1
Fuse type	Automatic device
Fuse	Slow-blow

General

Rated voltage	32 V DC
Rated current I_N	15 A
Rated short-circuit switching capacity I_{cn}	150 A (≥ 3 shutdowns)
	2000 A (≥ 1 switch-off)
	≤ 50 A (300 switch-offs)
Voltage drop	< 150 mV

Connection data

Note	The reset button must not be obstructed!
Nominal current	15 A
Nominal voltage	32 V AC
	32 V DC
Connection method	pluggable

Dimensions

Dimensional drawing	
Width	6 mm
Height	20.3 mm
Depth	24 mm

Material specifications

Color	blue
Insulating material	PA

Mechanical properties

TCP 15/DC32V - Thermal device circuit breaker



0700015

<https://www.phoenixcontact.com/in/products/0700015>

Mechanical data

Open side panel	No
-----------------	----

Environmental and real-life conditions

Ambient conditions

Degree of protection	IP30 (Actuation area)
Ambient temperature (operation)	-40 °C ... 85 °C
Humidity test	240 h, 95 % RH, 40 °C

Mounting

Mounting type	on base element
---------------	-----------------

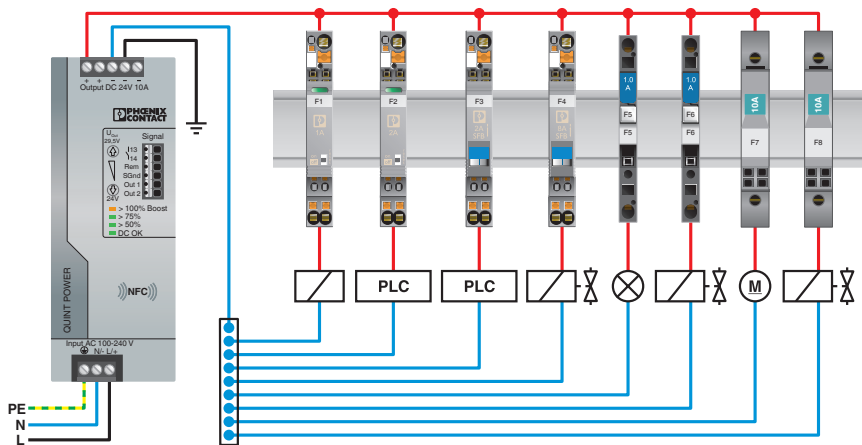
TCP 15/DC32V - Thermal device circuit breaker

0700015

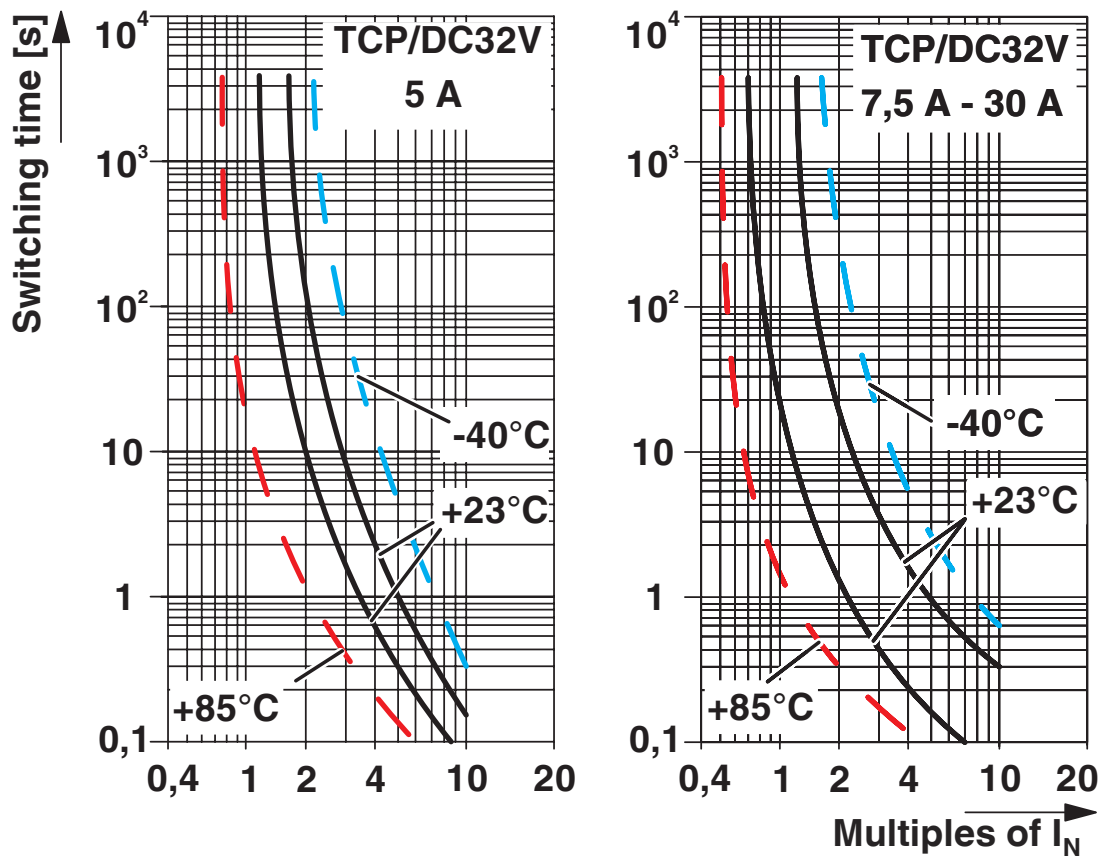
<https://www.phoenixcontact.com/in/products/0700015>

Drawings

Application drawing



Diagram



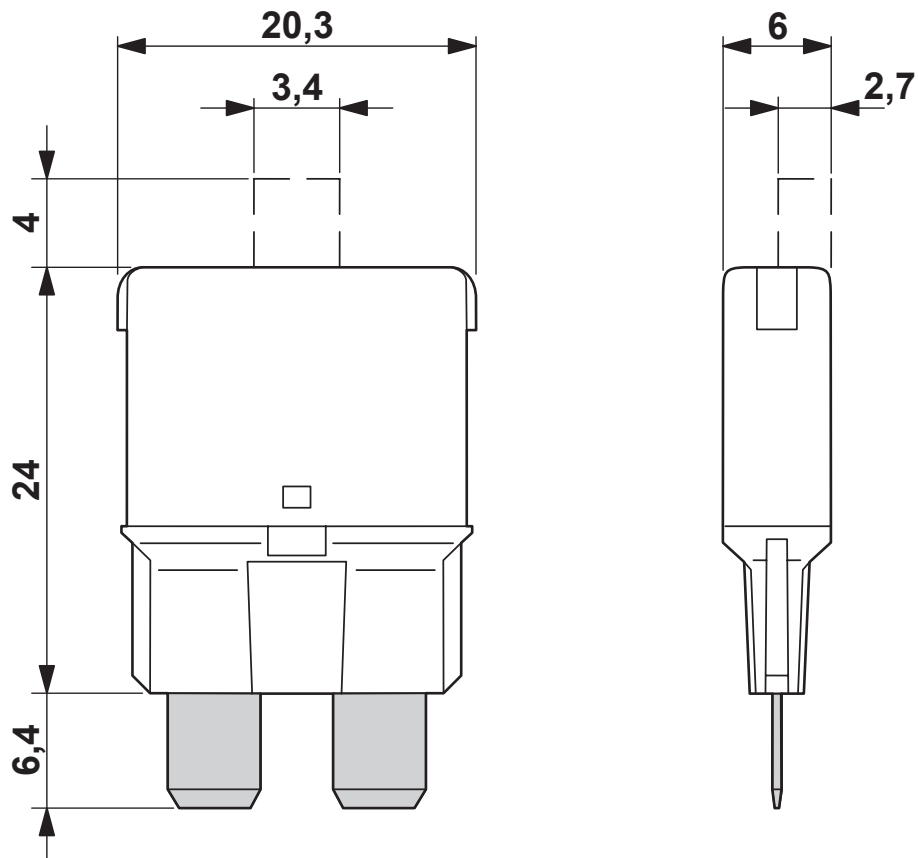
TCP 15/DC32V - Thermal device circuit breaker

0700015

<https://www.phoenixcontact.com/in/products/0700015>



Dimensional drawing



TCP 15/DC32V - Thermal device circuit breaker



0700015

<https://www.phoenixcontact.com/in/products/0700015>

Classifications

ECLASS

ECLASS-11.0	27141116
ECLASS-12.0	27141116
ECLASS-13.0	27250113

ETIM

ETIM 8.0	EC000899
----------	----------

UNSPSC

UNSPSC 21.0	39121400
-------------	----------

TCP 15/DC32V - Thermal device circuit breaker



0700015

<https://www.phoenixcontact.com/in/products/0700015>

Environmental Product Compliance

REACH SVHC	Lead 7439-92-1
China RoHS	Environmentally Friendly Use Period = 25;
	For information on hazardous substances, refer to the manufacturer's declaration available under "Downloads"

TCP 15/DC32V - Thermal device circuit breaker

0700015

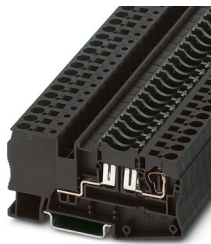
<https://www.phoenixcontact.com/in/products/0700015>

Accessories

ST 4-FSI/C - Fuse modular terminal block

3036372

<https://www.phoenixcontact.com/in/products/3036372>



Fuse modular terminal block, fuse type: Flat, fuse type: C, nom. voltage: 400 V, nominal current: 30 A, connection method: Spring-cage connection, 1 level, Rated cross section: 4 mm², cross section: 0.08 mm²- 6 mm², mounting type: NS 35/7,5, NS 35/15, color: black

ST 4-FSI/C-LED 12 - Fuse modular terminal block

3036495

<https://www.phoenixcontact.com/in/products/3036495>



Fuse terminal block with LED for mounting on NS 35, for miniature circuit breakers, terminal width: 8.2 mm, color: Black

TCP 15/DC32V - Thermal device circuit breaker

0700015

<https://www.phoenixcontact.com/in/products/0700015>

ST 4-FSI/C-LED 24 - Fuse modular terminal block

3036505

<https://www.phoenixcontact.com/in/products/3036505>



Fuse terminal block with LED for mounting on NS 35, for miniature circuit breakers, terminal width: 8.2 mm, color: Black

UK 6-FSI/C - Fuse modular terminal block

3118203

<https://www.phoenixcontact.com/in/products/3118203>



Flat-type fuse terminal block, cross section: 0.2 - 6 mm², AWG: 26 - 8, width: 8.2 mm, color: black

TCP 15/DC32V - Thermal device circuit breaker

0700015

<https://www.phoenixcontact.com/in/products/0700015>

UK 6-FSI/C-LED12 - Fuse modular terminal block

3001925

<https://www.phoenixcontact.com/in/products/3001925>



Flat-type fuse terminal block, cross section: 0.2 - 6 mm², AWG: 26 - 8, width: 8.2 mm, color: black, with light indicator, voltage light indicator: 12 V DC, current light indicator: 2 mA

UK 6-FSI/C-LED24 - Fuse modular terminal block

3001938

<https://www.phoenixcontact.com/in/products/3001938>



Flat-type fuse terminal block, cross section: 0.2 - 6 mm², AWG: 26 - 8, width: 8.2 mm, color: black, with light indicator, voltage light indicator: 24 V DC, current light indicator: 2 mA

TCP 15/DC32V - Thermal device circuit breaker



0700015

<https://www.phoenixcontact.com/in/products/0700015>

PT 6-FSI/C - Fuse modular terminal block

3212166

<https://www.phoenixcontact.com/in/products/3212166>



Fuse modular terminal block, fuse type: Flat, fuse type: Type C / max. 2.2 W, nom. voltage: 400 V, nominal current: 25 A, connection method: Push-in connection, Rated cross section: 6 mm², cross section: 0.5 mm²- 10 mm², mounting type: NS 35/7,5, NS 35/15, color: black

PT 6-FSI/C-LED 12 - Fuse modular terminal block

3212169

<https://www.phoenixcontact.com/in/products/3212169>



Fuse modular terminal block, fuse type: Flat, fuse type: Type C / max. 2.2 W, nom. voltage: 12 V, nominal current: 25 A, connection method: Push-in connection, Rated cross section: 6 mm², cross section: 0.5 mm²- 10 mm², mounting type: NS 35/7,5, NS 35/15, color: black

TCP 15/DC32V - Thermal device circuit breaker



0700015

<https://www.phoenixcontact.com/in/products/0700015>

PT 6-FSI/C-LED 24 - Fuse modular terminal block

3212172

<https://www.phoenixcontact.com/in/products/3212172>



Fuse modular terminal block, fuse type: Flat, fuse type: Type C / max. 2.2 W, nom. voltage: 24 V, nominal current: 25 A, connection method: Push-in connection, Rated cross section: 6 mm², cross section: 0.5 mm²- 10 mm², mounting type: NS 35/7,5, NS 35/15, color: black

Phoenix Contact 2023 © - all rights reserved

<https://www.phoenixcontact.com>

PHOENIX CONTACT (I) Pvt. Ltd.

A-58/2, Okhla Industrial Area, Phase - II, New Delhi-110 020

+91.1275.71420

info@phoenixcontact.co.in