

Solid State Relays

G3TA-OA202SL-US DC24



Image

I/O Solid State Relay, Output module, Phototriac, Applied output load: 2 A at 100 to 240 VAC, Operating indicator Equipped, Rated voltage: 24 VDC

| | |
|------------------------|------------------------|
| Product classification | Relay compatible |
| Zero cross function | None |
| Operating indicator | Equipped |
| Rated voltage | 24 VDC |
| Rated load voltage | 100 to 240 VAC |
| Load current | 0.05 to 2 A (at 60 °C) |
| Terminal structure | Plug-in terminal |

Ratings / Performance

As of July 25, 2024

Ratings

| | | |
|------------------------|----------------------------|------------------------|
| Product classification | | Relay compatible |
| Isolation method | | Phototriac |
| Zero cross function | | None |
| Operating indicator | | Equipped |
| Terminal structure | | Plug-in terminal |
| Mounting | | Socket |
| Case color | | Black |
| Input | Rated voltage | 24 VDC |
| | Operating voltage range | 19.2 to 26.4 VDC |
| | Input impedance | 1.7 kΩ±20% |
| | Operate voltage | 19.2 V max.DC |
| | Release voltage | 2 V min.DC |
| Output | Rated load voltage | 100 to 240 VAC |
| | Load voltage range | 75 to 264 VAC |
| | Load current | 0.05 to 2 A (at 60 °C) |
| | Inrush current resistivity | 30 A (60 Hz 1 cycle) |

Performance

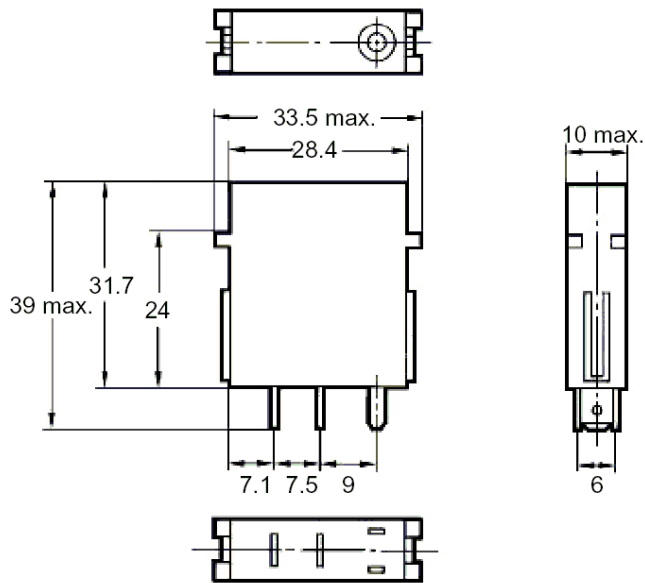
| | |
|------------------------|---|
| Operate time | 1 ms max. |
| Release time | 1/2 cycle of load power source + 1 ms max. |
| Output ON voltage drop | 1.6 V max. (RMS) |
| Leakage current | 5 mA max. (at 200 VAC) |
| Insulation resistance | 100 MΩ min. (at 500 VDC) |
| Dielectric strength | Between input and output: 4000 VAC 50/60 Hz 1 min |

| | |
|--|---|
| Vibration resistance | 10 to 55 to 10 Hz, 0.75 mm single amplitude (1.5 mm double amplitude) |
| Shock resistance | 1000 m/s ² |
| Ambient temperature (Operating) | -30 to 80 °C (with no freezing or condensation) |
| Ambient temperature (Storage) | -30 to 100 °C (with no freezing or condensation) |
| Ambient humidity (Operating) | 45 to 85 % |
| Weight | Approx. 23 g |
| Other feature | Certified by UL, and CSA |
| Connecting socket | P7TF-05 |

As of July 25, 2024

Outline drawing

As of July 25, 2024



As of July 25, 2024

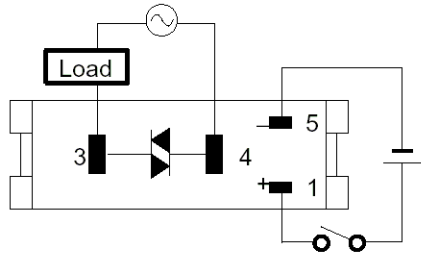
Connection diagram

As of July 25, 2024

External connections

G3TA-OA

Load power supply

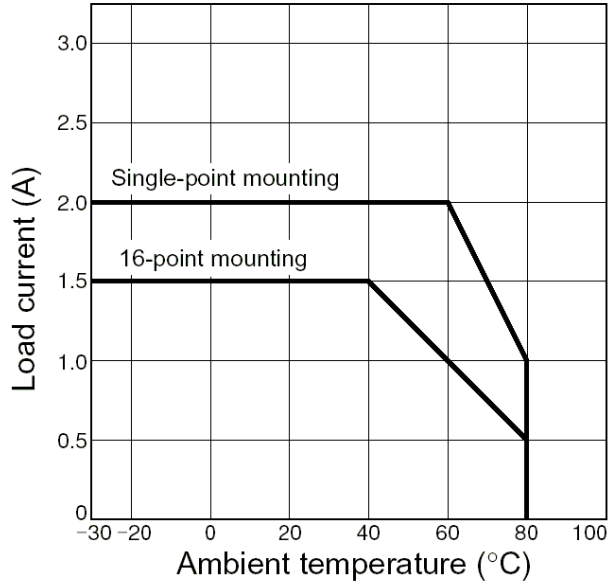


As of July 25, 2024

Characteristic chart

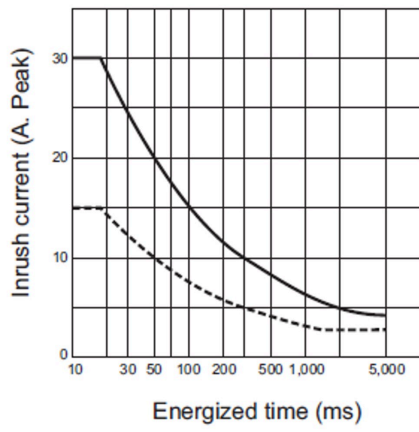
As of July 25, 2024

Load current-ambient temperature



Inrush current resistivity (Non-repetitive)

Non-repetitive (Keep the inrush current to half the rated value if it occurs repetitively.)
G3TA-OA202SZ/OA202SL-US



As of July 25, 2024