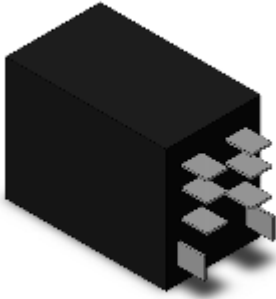


Solid State Relays G3□-VD

G3HD-X03SN-VD DC5-24



Image

Solid State Relay, Photocoupler, Applied output load: 3 A at 3 to 480 VDC, Rated input voltage: 5 to 24 VDC, With Operating indicator, Plug-in terminal, Certified by UL, CSA, and EN (TÜV certification)

Product classification	Relay compatible
Operating indicator	Equipped
Rated voltage	5 to 24 VDC
Rated load voltage	4 to 48 VDC
Load current	0.1 to 3 A (at 40 °C)
Terminal structure	Plug-in terminal

Ratings / Performance

As of November 15, 2024

Ratings

Product classification		Relay compatible
Isolation method		Photocoupler
Operating indicator		Equipped
Terminal structure		Plug-in terminal
Mounting		Socket
Input	Rated voltage	5 to 24 VDC
	Operating voltage range	4 to 28 VDC
	Input impedance	1.5 kΩ+20% -10% Maximum operating range
	Operate voltage	4 V max.DC
	Release voltage	1 V min.DC
Output	Rated load voltage	4 to 48 VDC
	Load voltage range	3 to 52.8 VDC
	Load current	0.1 to 3 A (at 40 °C)
	Inrush current resistivity	18 A (10 ms)

Performance

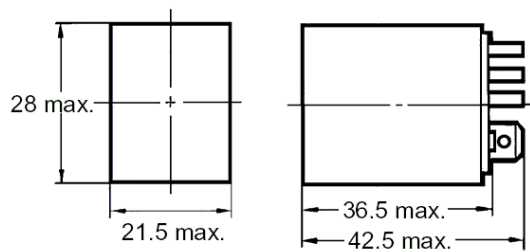
Operate time	0.5 ms max.
Release time	2 ms max.
Output ON voltage drop	1.6 V max. (RMS)
Leakage current	5 mA max. (at 50 VDC)
Insulation resistance	100 MΩ min. (at 500 VDC)
Dielectric strength	1500 VAC 50/60 Hz 1 min
Vibration resistance	10 to 55 to 10 Hz, 0.75 mm single amplitude (1.5 mm double amplitude)
Shock resistance	1000 m/s ²

Ambient temperature (Operating)	-30 to 80 °C (with no freezing or condensation)
Ambient temperature (Storage)	-30 to 100 °C (with no freezing or condensation)
Ambient humidity (Operating)	45 to 85 %
Weight	Approx. 50 g
Other feature	Certified by UL, CSA, and EN (VDE)
Connecting socket	PT08/ PTF08A/ PT08-0/ PT08QN/ PTF-08-PU/ PTFZ-08-E

As of November 15, 2024

Outline drawing

As of November 15, 2024

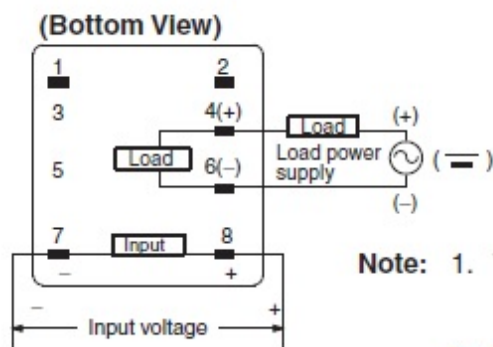


As of November 15, 2024

Connection diagram

As of November 15, 2024

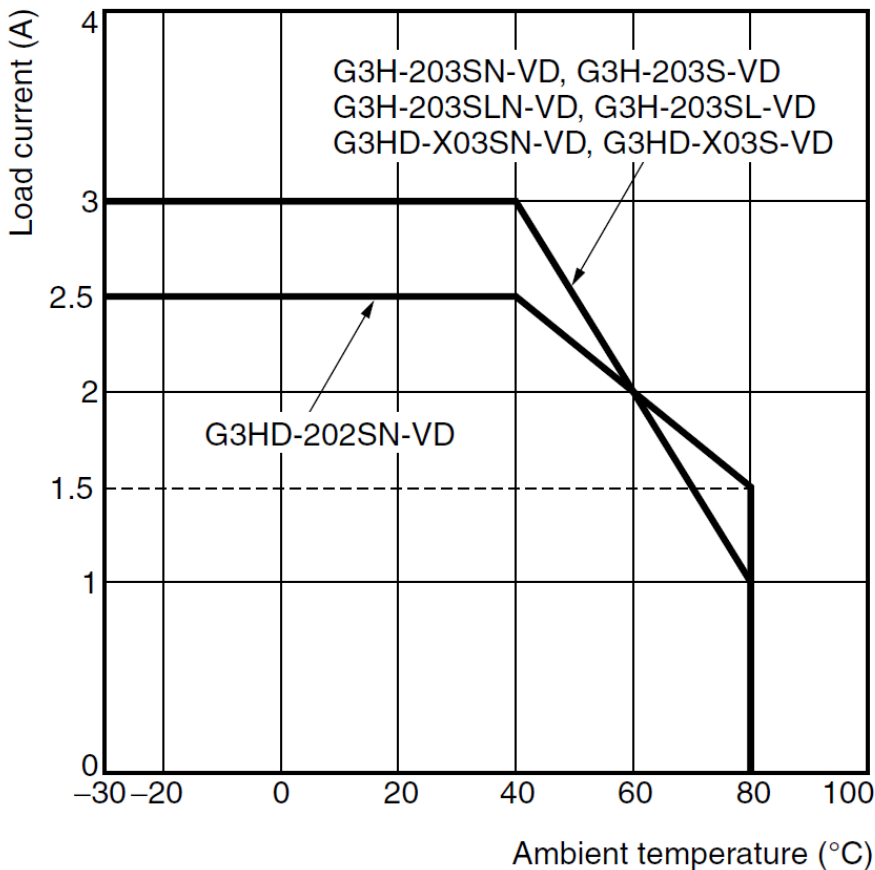
Terminal arrangement and internal connection



- Note:**
1. The plus and minus symbols shown in the parentheses are for DC loads.
 2. The coil has no polarity.
 3. The load is possible to connect either + side or - side.

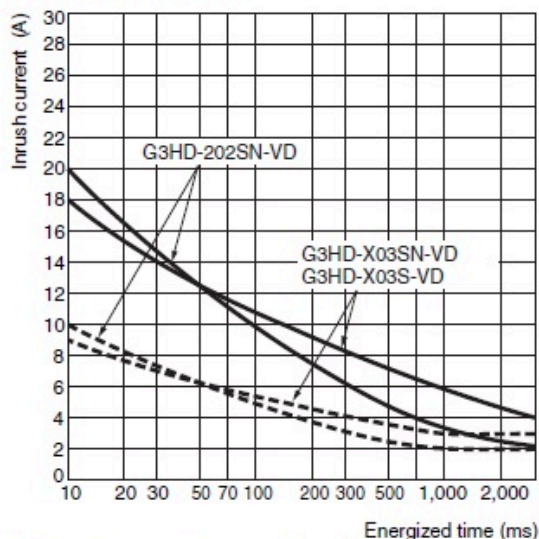
Characteristic chart

Load current-ambient temperature



Inrush current resistivity (Non-repetitive)

G3HD-X03SN-VD/X03S-VD
G3HD-202SN-VD



Keep the inrush current to half the rated value if it occurs repetitively.

