

IGBT Fuses

IGBT Fuses

690Vac - 750Vdc / 25 - 630A

Specifications

Description: High speed fuses for the protection of IGBT modules, optimized for use in IGBT inverter circuits with DC-link voltages up to 750Vdc. Low inductance $\leq 15\text{nH}$.

Ratings:

Volts: — 690Vac / 750Vdc - Tested at 863Vdc according to IEC 60269-4.

— 700Vac / 800Vdc - Tested at 800Vdc according to UL 248-1

Amps: — 25-630A

IR: — 200kA RMS Sym.

— 50kA dc (1ms tc)

Operating Class: aR

Agency Information: UL DC recongnized, 800Vdc L/R 1mS. min.

Catalogue Numbers:



| Fuse Size | Cat. Number | | Electrical Characteristics | | | |
|-----------|-------------|-------------------|----------------------------|---------------------------------------|------------------|---------------|
| | -FU/70 | Rated Voltage (V) | Rated Current RMS-Amp | I ² t (A ² Sec) | | Watt Loss (W) |
| | | | | Pre-arc | Clearing at 690V | |
| 000 | 170M1750 | 690 | 25 | 25.0 | 135.0 | 12.0 |
| | 170M1751 | | 32 | 45.0 | 240.0 | 13.0 |
| | 170M1752 | | 40 | 75.0 | 395.0 | 14.0 |
| | 170M1753 | | 50 | 135.0 | 695.0 | 16.0 |
| | 170M1754 | | 63 | 260.0 | 1350.0 | 17.0 |
| | 170M1755 | | 80 | 460.0 | 2350.0 | 20.0 |
| | 170M1756 | | 100 | 795.0 | 4000.0 | 25.0 |
| | 170M1757 | | 125 | 1300.0 | 6800.0 | 29.0 |
| | 170M1758 | | 160 | 2550.0 | 13500.0 | 34.0 |
| | 170M1759 | | 200 | 4350.0 | 22000.0 | 40.0 |
| | 170M1760 | | 250 | 7400.0 | 37500.0 | 48.0 |
| | 170M1761 | | 315 | 12500.0 | 65000.0 | 60.0 |
| | 170M1762 | | 350 | 17000.0 | 88000.0 | 65.0 |
| 230 | 170M1770 | 690 | 100 | 380 | 1950 | 35 |
| | 170M1771 | | 125 | 645 | 3300 | 42 |
| | 170M1772 | | 160 | 1350 | 7000 | 47 |
| | 170M1773 | | 200 | 2550 | 13500 | 54 |
| | 170M1774 | | 250 | 4950 | 25000 | 62 |
| | 170M1775 | | 315 | 9350 | 47500 | 72 |
| | 170M1776 | | 350 | 12000 | 61000 | 78 |
| | 170M1777 | | 400 | 18500 | 94500 | 80 |
| | 170M1778 | | 450 | 27000 | 140000 | 85 |
| | 170M1779 | | 500 | 37500 | 190000 | 90 |
| | 170M1780 | | 550 | 48500 | 245000 | 95 |
| | 170M1781 | | 630 | 69500 | 355000 | 105 |

Data Sheet: Size 000 - 170K6422

Size 230 - 170K6426

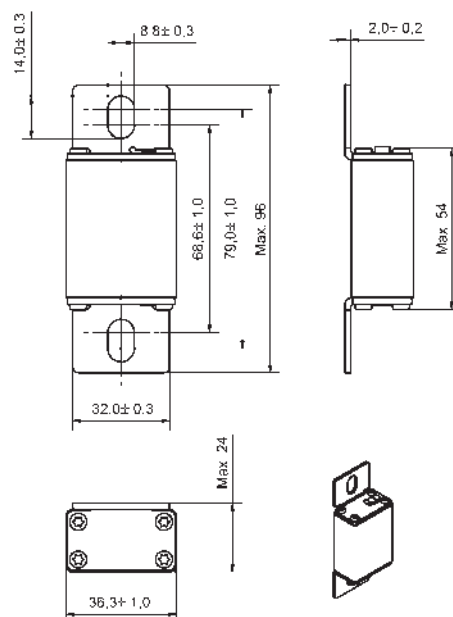
IGBT Fuses

IGBT Fuses

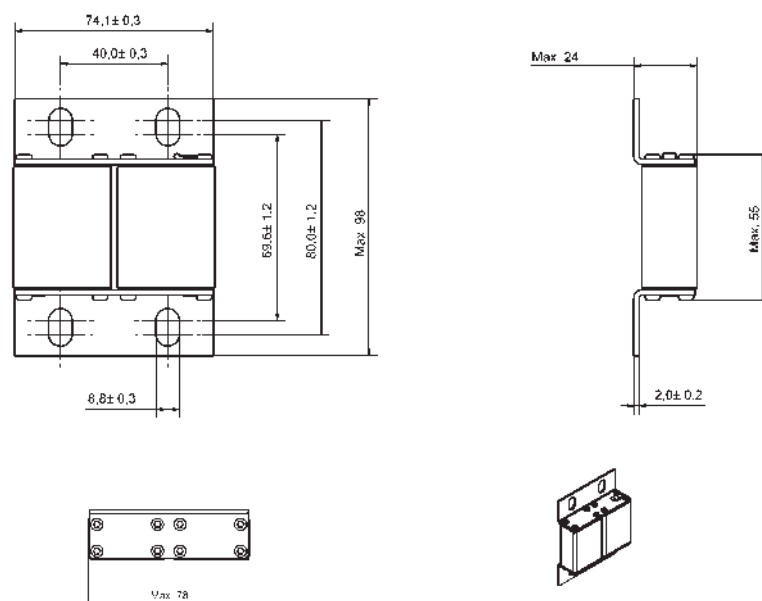
690Vac / 750Vdc / 25 - 630A

Dimensions (mm):

Size 000



Size 230



IGBT Fuses

IGBT Fuses

1000Vac - 1000Vdc / 25 - 500A

Specifications

Description: High speed fuses for the protection of IGBT modules, optimized for use in IGBT inverter circuits with DC-link voltages up to 1000Vdc. Low inductance $\leq 20\text{nH}$.

Ratings:

- Volts: — 1000Vac / 1000Vdc - Tested at 1150Vdc according to IEC 60269-4
- 1000Vac / 1000Vdc - Tested at 1000Vdc according to UL 248-1
- Amps: — 25-500A
- IR: — 100kA RMS Sym.
- 50kA dc (1ms tc)

Operating Class: aR

Agency Information: UL DC recongnized, 1000Vdc L/R 1mS. min.

Catalogue Numbers:

| Fuse Size | Cat. Number | | Electrical Characteristics | | | |
|-----------|-------------|-------------------|----------------------------|-----------------------------|-------------------|---------------|
| | -FU/90 | Rated Voltage (V) | Rated Current RMS-Amp | I^2t (A ² Sec) | | Watt Loss (W) |
| | | | | Pre-arc | Clearing at 1000V | |
| 000 | 170M1802 | 1000 | 25 | 19 | 95 | 14 |
| | 170M1803 | | 32 | 34 | 170 | 17 |
| | 170M1804 | | 40 | 61 | 300 | 20 |
| | 170M1805 | | 50 | 135 | 675 | 21 |
| | 170M1806 | | 63 | 245 | 1200 | 22 |
| | 170M1807 | | 80 | 505 | 2500 | 27 |
| | 170M1808 | | 100 | 1050 | 5150 | 32 |
| | 170M1809 | | 125 | 1900 | 9500 | 34 |
| | 170M1810 | | 160 | 4050 | 20000 | 37 |
| | 170M1811 | | 200 | 8500 | 42000 | 43 |
| | 170M1812 | | 225 | 12000 | 59000 | 45 |
| | 170M1813 | | 250 | 16000 | 79500 | 48 |
| 230 | 170M1824 | 1000 | 100 | 600 | 3050 | 38 |
| | 170M1825 | | 125 | 1200 | 6050 | 42 |
| | 170M1826 | | 160 | 2550 | 13000 | 48 |
| | 170M1827 | | 200 | 4650 | 23000 | 55 |
| | 170M1828 | | 250 | 9300 | 45500 | 62 |
| | 170M1829 | | 315 | 18500 | 91500 | 68 |
| | 170M1830 | | 350 | 24500 | 125000 | 75 |
| | 170M1831 | | 400 | 37500 | 185000 | 80 |
| | 170M1832 | | 450 | 52000 | 260000 | 85 |
| | 170M1833 | | 500 | 69500 | 340000 | 90 |



Data Sheet: Size 000 - 170K6680

Size 230 - 170K6682

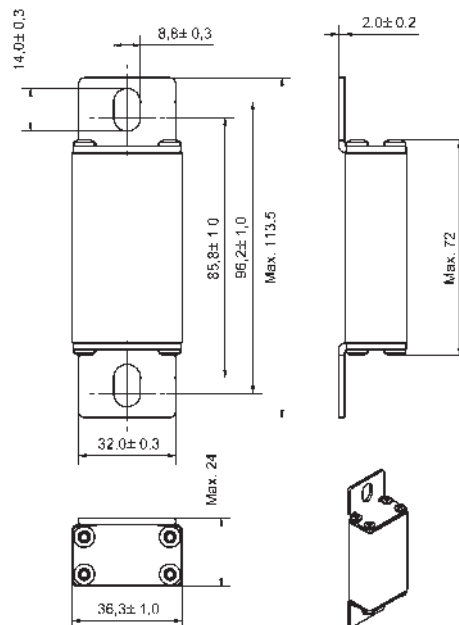
IGBT Fuses

IGBT Fuses

1000Vac - 1000Vdc / 25 - 500A

Dimensions (mm):

Size 000



Size 230

